



Installation, Precautions & Servicing

Glazer

600 900 1000 1500

IMPORTANT

Carefully remove the fire from the packing checking neither the heater nor the power cable has been damaged during transport. Do not operate the fire if damaged. Please bear in mind the weight of the fire before removal from the packaging and installation. Consider if help is required. Always read this manual first before attempting to install or use and keep in a safe place. Any alteration to the power cable should only be done by a qualified electrician.

Your fire is guaranteed for one year from the date of purchase. In the unlikely event of a breakdown you have access to our customer services team, simply call **01543 251122** during office hours, 9am – 5pm or e-mail on info@flameritefires.com The accessories are found in a box that is packed at the side of the fire.

This product is only suitable for well insulated spaces or occasional use



Important Safety Information and Warnings

- For indoor use only.
- Do not use the fire in the vicinity of a bath, shower or swimming pool.
- Never use the fire to dry laundry.
- Never install the fire directly underneath a fixed main socket.
- Never cover the appliance.
- The use of an extension lead is not recommended.
- This appliance can be used by children aged from 8 years and above and persons with reduced physical, sensory or mental capabilities or lack of experience and knowledge if they have been given supervision or instruction concerning use of the appliance in a safe way and understand the hazards involved. Children shall not play with the appliance.
- Cleaning and user maintenance shall not be made by children without supervision.
- Children of less than 3 years should be kept away unless continuously supervised
- Children aged from 3 years and less than 8 years shall only switch on/off the appliance provided that it has been placed or installed in its intended normal operating position and they have been given supervision or instruction concerning use of the appliance in a safe way and understand the hazards involved.
- Children aged from 3 years and less than 8 years shall not plug in, regulate and clean the appliance or perform user maintenance.
- Some parts of this product can become very hot and cause burns. Particular attention has to be given where children and vulnerable people are present
- Caution should be applied to ensure that children do not play with the fuel effects.
- As with any electrical appliance whilst the instructions aim to cover as many eventualities as possible, caution and common sense should be applied when operating your appliance, particularly in the vicinity of small children.
- **CAUTION:** The heater is fitted with an automatic cut out to prevent any damage due to overheating. The element will continually and automatically cut out if the airflow is obstructed. **Never** cover the air outlets. To reset, switch the fire off, disconnect from the mains supply, remove the cause of the overheating, where fitted check the OmniGlide micro switches. Allow to cool for a suitable period then switch the fire back on.
- **CAUTION:** In order to avoid a hazard due to inadvertent resetting of the thermal cut out, the appliance must not be supplied through an external switching device, such as a timer, or connected to circuit regularly switched on and off by a utility.

Where a chimney is not blocked off completely, any draw will cause the heater to cut out during use. Care should also be taken when fitting into a cavity wall in case of damp or draft with external air vents fully sealed

RECYCLING



Please recycle responsibly. Take your item to your local recycling centre. You can easily locate your nearest centre on the www.recyclenow.com website or check with your retailer for details on either a collection service or a store take-back scheme (some may apply charges). Councils may offer a household recycling collection service for small electrical items; contact your local authority for more details.

Electrical Connections

Electrical connections. Your appliance comes fitted with a plug that incorporates a 13A fuse. The replacement fuses must be 13A and ASTA approved. If the fuse cover is lost the plug must not be used until a replacement cover, of the same colour, is obtained from an electrical retailer. The appliance is fitted with a moulded plug if it is necessary cut off the plug, for any reason, it must be discarded immediately with the fuse removed. Under no circumstances should any attempt be made to reuse the plug, do not insert into any 13A socket as this could cause a hazard. If the mains cable is damaged it must be replaced by the manufacturer or an authorised technical service centre.

WARNING THIS APPLIANCE MUST BE EARTHED

IMPORTANT

The wires in the mains lead are coloured in accordance with the following code.

Green and yellow:	EARTH
Blue:	NEUTRAL
Red:	LIVE

As the colours of the wires in the mains lead of this appliance may not correspond with the colour markings in your plug proceed as follows: -

- The wire which is coloured green and yellow must be connected to the terminal in the plug which is marked with the letter E, or coloured green or coloured green and yellow, or marked with the earth symbol
- The wire which is coloured blue must be connected to the terminal in the plug which is marked with the letter N, or coloured black.
- The wire which is coloured brown must be connected to the terminal in the plug which is marked with the letter L, or coloured red.

Insert the plug tightly into its IEC connector underneath the fire if not already done so. If the removal of the plug is absolutely necessary for installation, cut off in an area within 100mm only of the plug itself. Any further will affect your warranty.

Installation Instructions

DO NOT TWIST, FORCE OR SQUEEZE THE FIRE DURING THE INSTALLATION PROCESS.

Using in a chimney breast, fireplace or an internal studwork and plaster board wall.

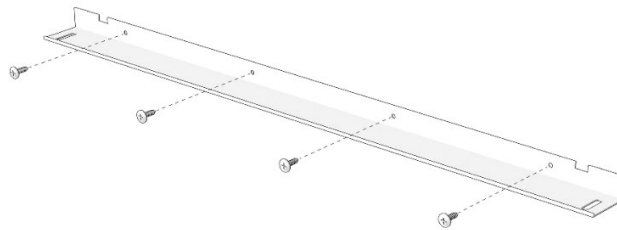
The fire must be well supported in a structure when mounting above the floor. A wall support or lintel should be fitted at the required height to ensure the appliance does not support the weight of the finished wall or chimney breast. The height at which you may wish to fix the fire in or on the wall is up to you, we recommend anywhere from 350-450mm from the floor to the bottom of the fire opening (not the bottom of the fire).

Secure into place using the fixings provided.

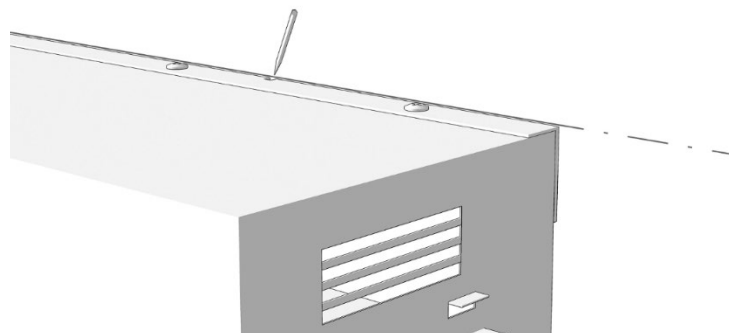
Situ	Fixings
Stud Wall	3x 60mm screws
Modular Chimney Breast	3x M10 x 50mm Rawl plugs. 3x 60mm screws 2x 50mm screws & cover caps. 4x 13mm screws.
Modular Wall & Freestanding	7x M10 x 50mm Rawl plugs. 7x 60mm screws. 2x M6 x 25mm bolts. 2x M6 washers. 8x 13mm screws (4 fitted/4 packed)

Modular suite, wall mounting & freestanding

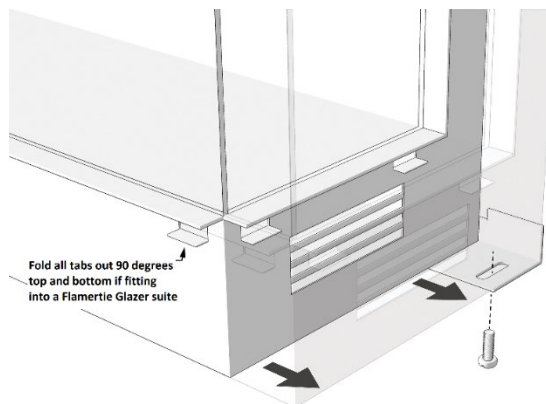
The fire comes with two hanging rails top and bottom to fix the Glazer to the wall. Using the lower bracket mark the holes, drill with a M10 bit and fit the rawl plugs. Using the 60mm screws, secure the bracket to the wall.



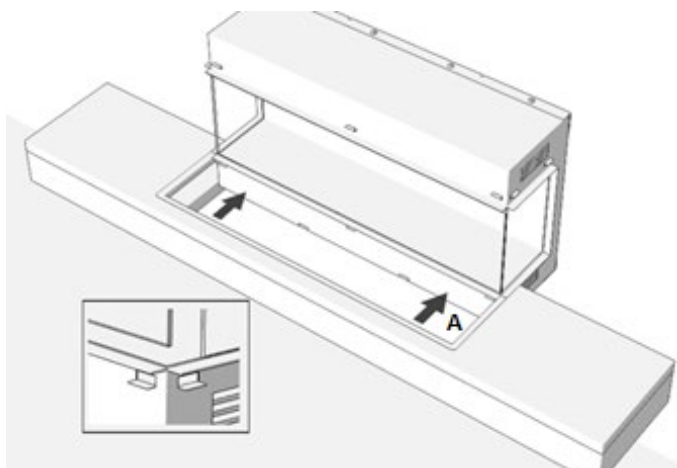
Position the fire on top of the bottom bracket making sure the corner bolts fit through the slots either side and can screw into the underside of the fire. With the top bracket attached to the fire, mark across its length and into the slots above each hole on the back edge. Remove the top bracket and 13mm screws from the fire. Using as a template mark the holes on the wall, drill and fit the rawl plugs using an M10 bit. Using the 60mm screws fix the bracket to the wall.



Slide the fire into the channel created by the top and bottom brackets. Screw the top bracket back onto the fire with the 13mm self-tappers and bolt each corner of the bottom bracket through the slots either side into the fire using the M6 bolts and washer supplied. At this point you will be able to level the fire accordingly at the base by loosening and tightening the bottom bolts.

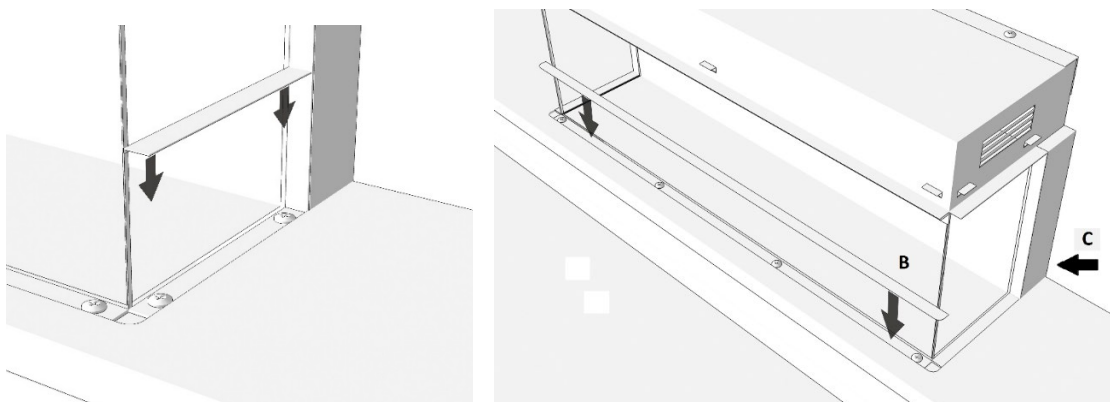


If the fire is mounted to the wall, the base will slide on from the front between the flange running around the opening and the pull-out tabs **A**. If using in a freestanding suite the fire should be pushed in from the back in the same way, then the whole suite pushed up against the wall. In both cases make sure the power cable is firmly pushed into the fire and does not foul the suite when up against the wall.

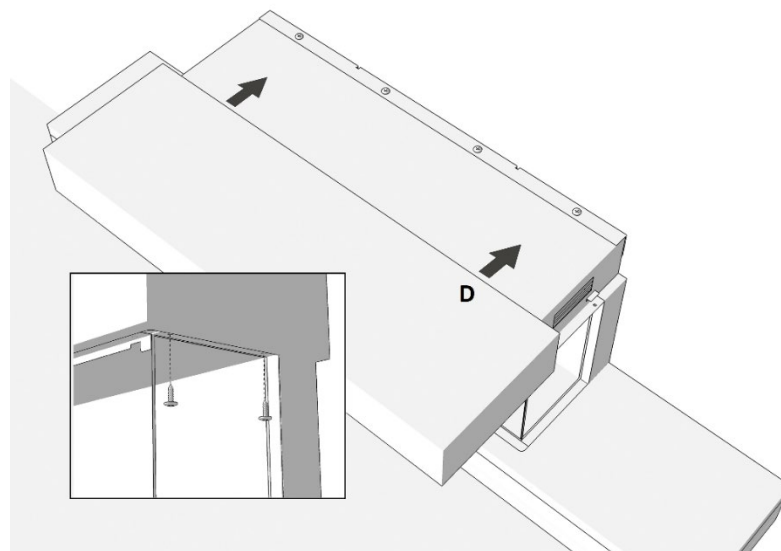


Using four of the 13mm screws secure the base to the fire along the side flange and fit the décor trim **B**. The décor trim is the long black channel that provides a neat edge along the bottom of the fire opening, it is held in place with magnets.

Fix the gloss black decorative panels either side of the opening to the fire **C**, also held in place with magnets.



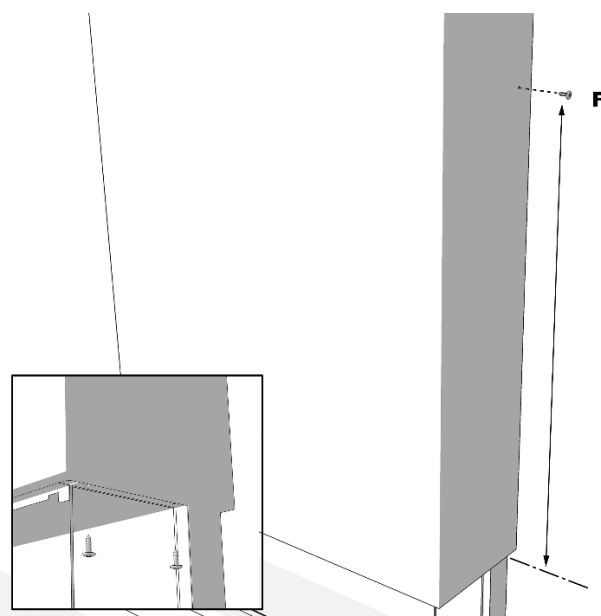
Slide the top from the front **D** between the flange running around the opening and the pull-out tabs. Make sure the top of each gloss black decorative panel **C** fits into the recess around the cut out as the top pushes back towards the wall. On the underside using four of the 13mm self-tapers provided, secure the sides of the top only.



CHIMNEY BREAST: The chimney breast requires a baton to be fitted to the wall above the fire using three M10 x 50mm rawl plugs and 60mm screws. Use an M10 bit to drill the holes. The baton must be fitted from the top of the fire to the bottom of the baton, dead centre so the chimney breast can comfortably slide over the fire and line up to the pilot holes either side of the baton.

Height from the top of the fire: $600 = 885\text{mm}/900 = 1110\text{mm}/1000 = 1040\text{mm}$

Carefully slide the chimney breast on from the front **D** between the flange running around the opening and the pull-out tabs. Make sure the top of each gloss black decorative panel **C** fit into the recess around the cut out as the chimney breast pushes back towards the wall. Use the two 50mm screws to secure the chimney breast to the baton **F** and push the white plastic covers over the top. On the underside use four 13mm screws provided, secure the sides only.



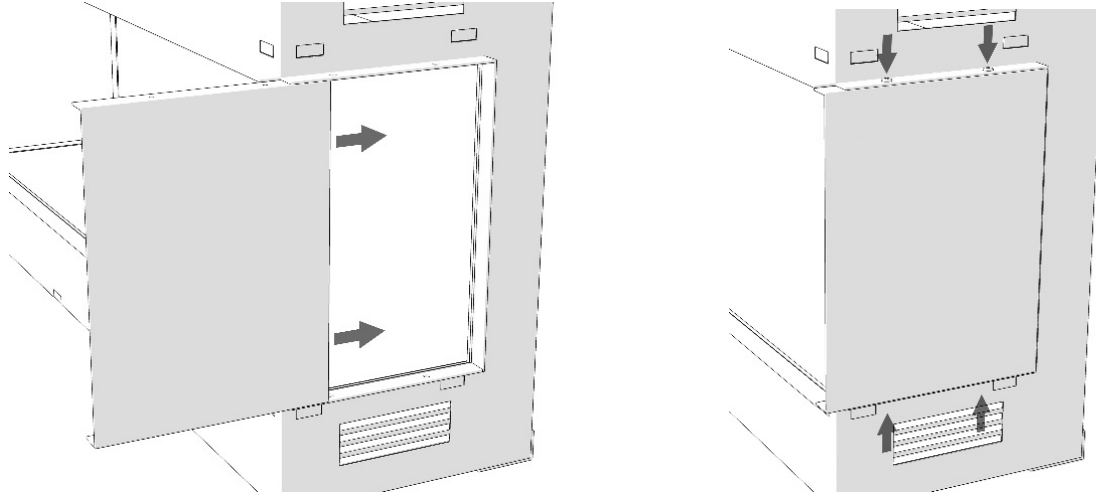
DO NOT HANG HEAVY OBJECTS ONTO THE CHIMNEY BREAST

Stud wall, chimney & fireplace fitting

There must be enough clearance for the fire to comfortably fit into the hole. **DO NOT SQUEEZE INTO THE OPENING** this may deform the case and stop the glass from moving correctly.

Converting from 3-sided glass viewing into a 2 or 1 sided glass viewable fire

Each blanking panel consists of two parts that maybe be fitted directly over the glass sides. Remove the 4 screws already fitted and slide into place. Secure and refit the screws through the corresponding holes on the fire.



Minimum opening to fit and inset the fire

Model	H	W1side	W2side	W3side	D
600	725mm	645mm	625mm	610mm	265mm
900	505mm	945mm	925mm	910mm	265mm
1000	575mm	1045mm	1025mm	1010mm	265mm
1500	575mm	1545mm	1525mm	1510mm	265mm



Visible burn area after fitting

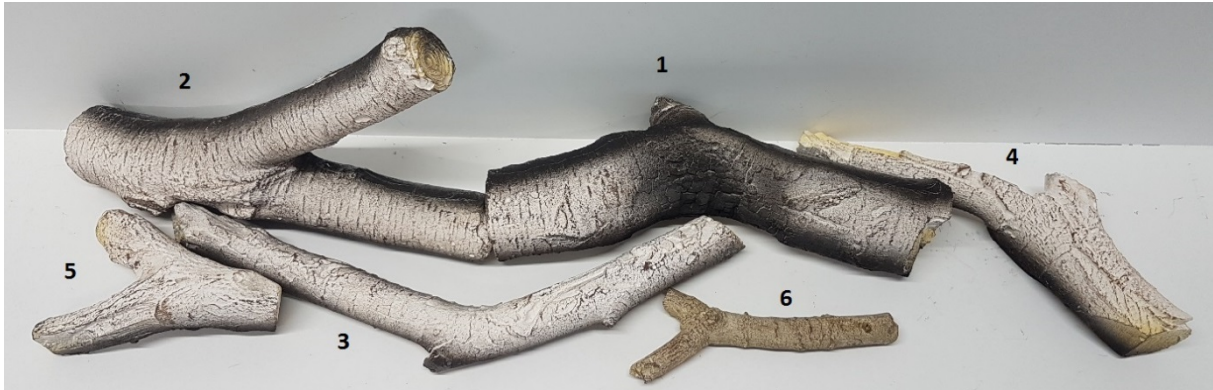
Model	H	W1side	W2side	W3side	D2/3 side
600	500mm	645mm	625mm	600mm	180mm
900	280mm	945mm	925mm	900mm	180mm
1000	350mm	1045mm	1025mm	1000mm	180mm
1500	350mm	1545mm	1525mm	1500mm	180mm

Log Effect

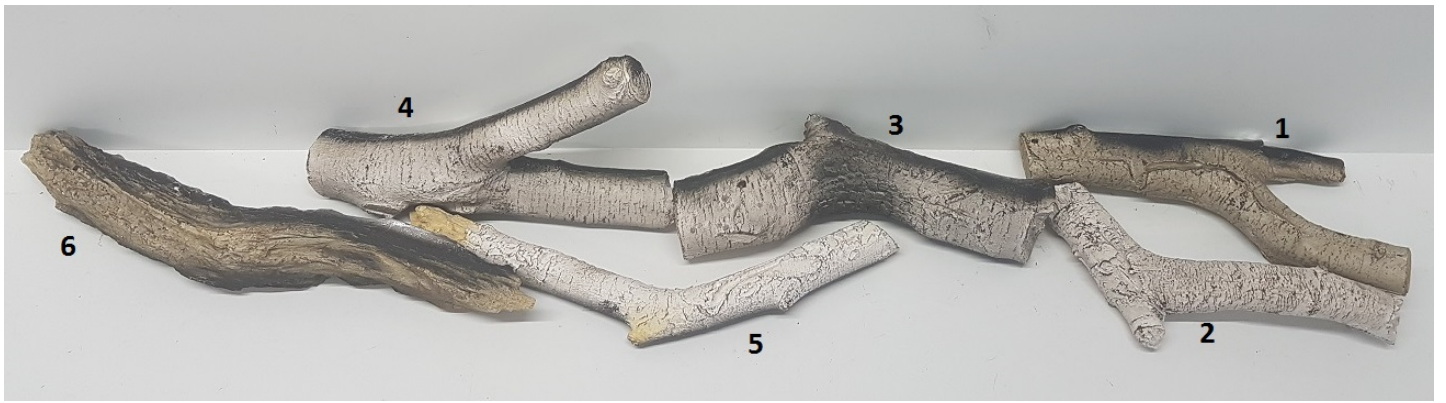
The logs effects must be positioned according to the images below. Care must be taken to ensure there is enough room between the front of the logs and the glass channel at the front of the opening so the glass may tilt open freely into the fire and trigger the micro switch.

Visit www.flameritefires.com/downloads if you require clearer downloadable images.

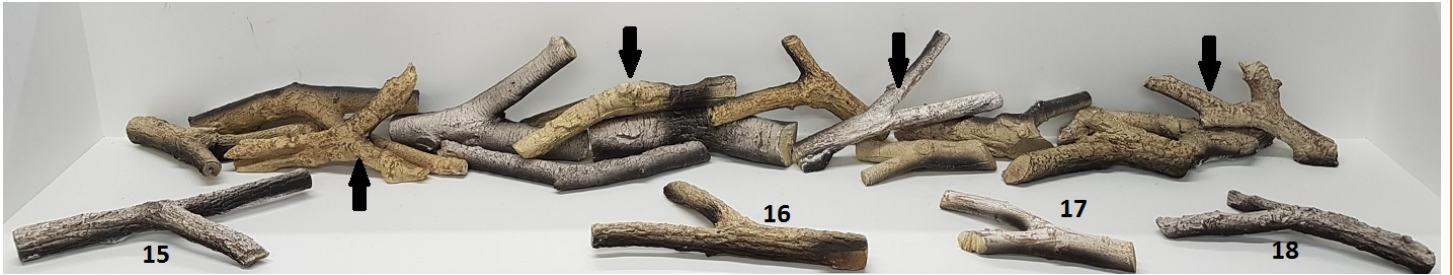
600



900 & 1000



1500

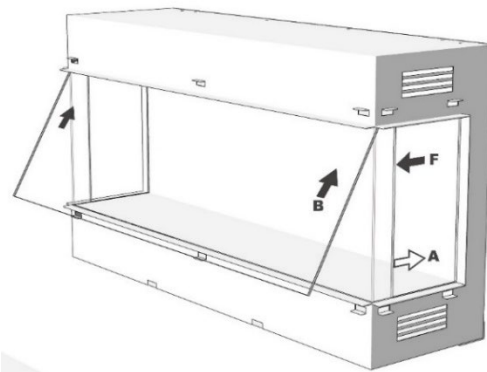


Glass Fitting & Removal

We recommend two persons to fit the Glazer 1500 glass

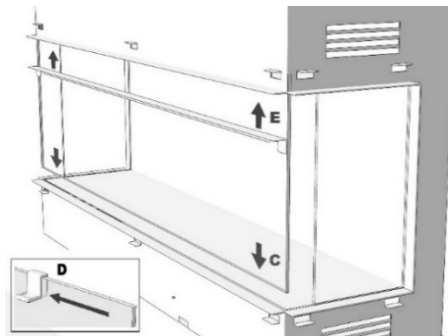
Push the side glass back towards the rear of the case **A**

You will notice there is a long gap on the underside of the opening 10mm in width that runs along and in front of the heater grills. At an angle of approximately 45 degrees push the glass up into this void making sure the bottom of the glass clears the lower edge of the opening. Tilt the glass back into the fire and carefully lower into the large channel that runs across the opening avoiding the dampers **B & C**

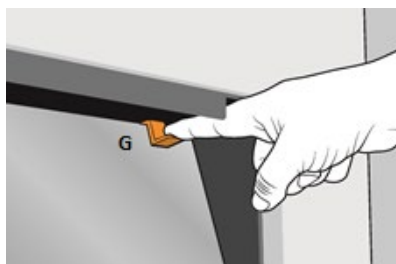


Slide the handle **D** along the top right-hand side of the glass.

The upper glass rail is magnetic and will fix easily into place along the top of the opening **E**. Adjust the position of the handle accordingly into the gap on the rail.



With the front glass tilted rearwards pull the side glass side forwards **F**. To open and close the front glass panel, place your index finger on the handle as shown in the picture **G**. You may finely position the front and side glass panels to give the best possible fit and finish. Make sure the front glass glides back with ease and depresses the micro switch arm on the underside of the heat housing.



Maintenance

WARNING: Before any maintenance/cleaning is undertaken, always disconnect the fire from the mains power supply.

Replacing Lamps

Dimmable 240V 6W 3000k E14 LED lamps

Allow a suitable time for the lamps to cool then remove the glass & fuel effect (see Installation). Remove the two screws from either side of the fuel bed and lift out of place. Remove and replace the lamps, fuel bed, fuel effect and glass. Please note that replacement Lamps are only covered from purchase by a 2-year warranty.

Replacements are available from Flamerite Fires Ltd

Cleaning

The fire can be cleaned with a soft cloth and nonabrasive glass cleaner.

Trouble Shooting

- **No power to the fire:** Check the wall socket, plug, fuse and lamps.
- **Heat turns off quickly after turn on:** Set thermostat on app after turning heat on, not before.
- **No illumination:** Make sure fire is turned on. Check heater is working, if so check lamps.
- **Heater blowing cold air:** The safety cut out may have operated. Check for obstruction around the heater. If continually a problem and fitted into a cavity wall or chimney breast check with installer the inset opening has been 100% fully sealed from drawn air and draft.
- **Noise when illuminated:** Due to moving parts, the electric fire will make a noise.
- **Noise from the heater when in use:** The sound of rushing air is normal.

Information Requirements

Information requirement for electric local space heaters

Model identifier (s)		600	900	1000	1500	
Item	Symbol	Value	Value	Value	Value	Unit
Heat output						
Nominal heat output	Pnom	1.5	1.5	1.5	1.5	kW
Minimum heat output (indicative)	Pmin	0.75	0.75	0.75	0.75	kW
Maximum continuous heat output	Pmax,c	1.5	1.5	1.5	1.5	kW
Auxiliary electricity consumption						
At nominal heat	elmax	17.5	35	35	43.8	W
At minimum heat	elmin	28.5	46	46	54.8	W
Instandby	eLSB	.5	.5	.5	.5	W
Type of heat output/room temperature control						
With distance control option						
Room temperature control, with open window detection						
Adaptive Start						
With electronic room temperature control plus week timer						
Yes						
Contact details:	Flamerite Fires Ltd. Greenhough Road, Lichfield. Staffs. WS137AU					

Wiring Diagram

