

Gotham 900 Instructions

Featuring OMNIGLIDE®

Remove the fire from the packing, checking that neither the heater nor the power cable has been damaged during transport. Do not operate the heater if damaged. The accessories may be found in a box or separately packed at the side. Your fire is guaranteed for one year from the date of purchase. In the unlikely event of a breakdown you have access to our customer services team, simply call **01543 251122** during office hours, 9am – 5pm or e-mail on info@flameritefires.com

INSTALLATION

Where a chimney is not blocked off completely it will cause the heater to cut out during use. **ONLY** if installing into a chimney and you are not sure that you have cut off the draw 100% we recommend covering the slots in the rear and at either side.

Electrical connections

Your appliance comes fitted with a plug that incorporates a 13A fuse. The replacement fuses must be 13A and ASTA approved. If the fuse cover is lost the plug must not be used until a replacement cover, of the same colour, is obtained from an electrical retailer.

The appliance is fitted with a moulded plug, if it is necessary to cut off the plug for any reason, it must be discarded immediately with the fuse removed. Under no circumstances should any attempt be made to reuse the plug, do not insert into any 13A socket as this could cause a hazard. If the mains cable is damaged it must be replaced by the manufacturer or an authorised technical service centre.

WARNING THIS APPLIANCE MUST BE EARTHED

IMPORTANT

The wires in the mains lead are coloured in accordance with the following code.

Green and yellow:	EARTH
Blue:	NEUTRAL
Red:	LIVE

As the colours of the wires in the mains lead of this appliance may not correspond with the colour markings in your plug proceed as follows: -

- The wire which is coloured green and yellow must be connected to the terminal in the plug which is marked with the letter E, or coloured green or coloured green and yellow, or marked with the earth symbol
- The wire which is coloured blue must be connected to the terminal in the plug which is marked with the letter N, or coloured black.
- The wire which is coloured brown must be connected to the terminal in the plug which is marked with the letter L, or coloured red.

Using in the Gotham Suite:

Warning: Due to the fireplace being of a narrow design, you should be mindful that during the installation there is a high risk of falling forwards or backwards. We recommend two persons throughout.

The fire should be inserted from the back of the suite using the six 12mm screws provided. The wall brackets should be fixed to the wall with the highest point of the chamfered edge facing forward/upward (Fig.1). The corresponding chamfered edge on the suite can be found on the back across the top. Fix both brackets level with the screws and rawl plugs provided. Once the brackets are in place on the wall screw the mirror clips to the rear of each side of the suite approximately 200mm from the floor then lift and hook onto the upward facing chamfered edge of the top brackets. Mark off where the fixing holes are to be drilled through the mirror clips. Remove suite and drill the holes. When done push the rawl plugs into the drilled holes, lift and secure the suite into place using the final two screws through both mirror clips.

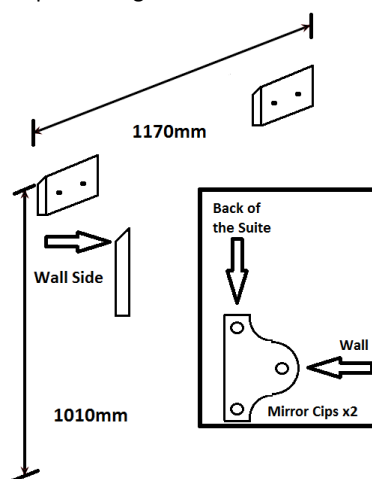


Fig.1

Using as a Hole in the Wall: The inset dimensions are: depth 165mm, height 510mm and width 920mm. There must be enough clearance for the fire to comfortably fit into the hole. **DO NOT SQUEEZE INTO THE OPENING** this may deform the case and stop the glass from moving correctly. The height at which you may wish to fix the fire in the wall is up to you, though we recommend anywhere from 400-500mm from the floor to the bottom of the fire opening (not the fire case itself). **Prior to sealing/plastering the wall around the fire, it must be secured into place using the screws and rawl plugs provided. Four larger holes should be visible at each corner of the opening, two on each side of the flange. Place the fire into the hole, mark off where the fixing holes are to be drilled. Remove the fire and drill the holes. When done push the rawl plugs into the drilled holes, lift and secure the fire into place.**

Please now test the fire and follow the rest of the instructions below before permanently boarding/sealing/plastering in place.

Fuel Effects: Once the fire has been installed in the correct position unpack the fuel effect from the accessory box. Pebbles maybe arranged in a random formation on top of the fuel bed. The Cinderwood log effect as in the images below in Fig.2.



Fig.2

Fitting the Glass: Whilst holding at the bottom of the glass, place the top edge through the fire opening up both sides of the interior making sure you start after the dampers and lift over the micro switches on both sides at the top. **IMPORTANT Fig.3: The glass must be placed on top of the metal arm and NOT under!** Allow the bottom edge of the glass to sit into the channel in front of the fuel bed. To remove the glass, in the open fully tilted position hold from the very top, pull out of the channel and carefully remove through the opening, bottom edge first.

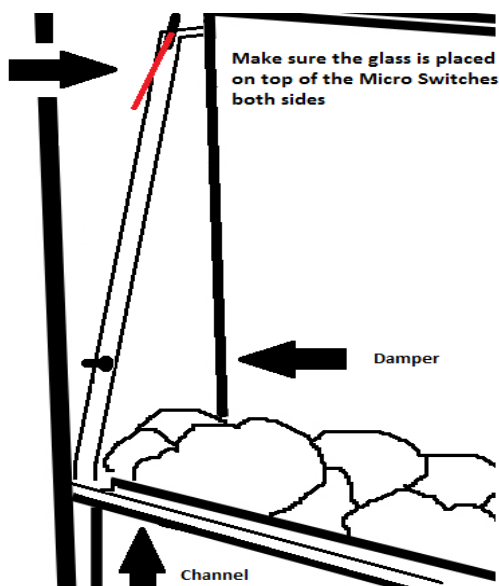


Fig.3

Fitting Frame or Dresser Rail: The dresser rail is a long black magnetic U channel that provides a neat edge along the bottom of the fire. To fit simply fit the rear of the channel in front of the glass whilst the front hangs over covering the join from wall to fire. This is not needed however if fitting the magnetic decorative frame.

OPERATING THE FIRE

Controls: The fire can be operated either by manual or remote control. There is a **main on/off** switch top right of the fire, this is marked with **I/O** and will need to be switched to **I (standby)** to operate the fire. In the **O** position (**off**) you will be unable to operate the fire.

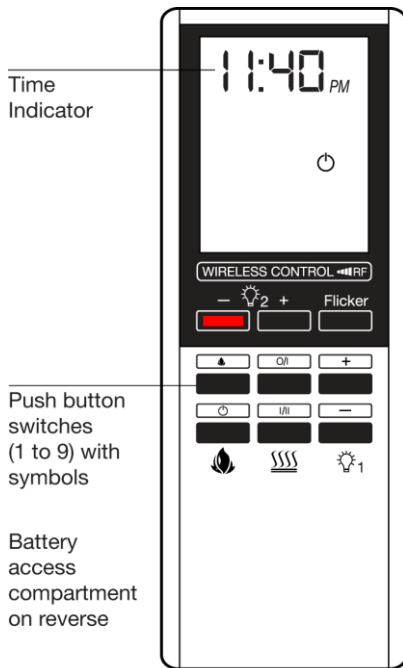
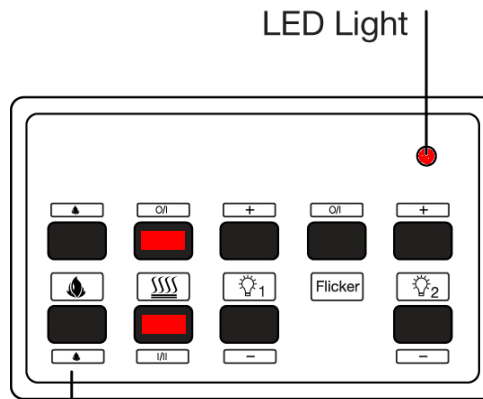


Fig 4



Switches 1 to 9 with symbols Fig 5

1. To turn the fire on (**Fig 4 and Fig 5**), simply press and release the **FIRE ON** or button on the remote or manual keypad.
2. To set the inner flame & fuel effect to your desired brightness press + or - buttons marked **DIMMER1** or 1.
3. To set the outer flame & fuel effect to your desired brightness press + or - buttons marked **DIMMER2** or 2.
4. To activate or deactivate the outer flame & fuel flicker function press and release button **Flicker**. The flicker function will always deactivate once the fire is turned off.
5. *For heating the fire must be switched on and the glass tilted to its back position by pushing the handle in the top right of the screen briefly inwards. To give 1kw of heat, press then release the button marked **ON/OFF HEAT** or **O/I**. To increase the temperature to 2kw press then release button marked **HI/LO** or **I/II**. You may alternate from 1kw to 2kw by pressing **HI/LO** or **I/II** at anytime. To turn the heater off, press then release the button marked **ON/OFF HEAT** **O/I**. The heater will always start in the lower setting
6. To turn the fire to standby press then release the button marked **FIRE OFF** or .
7. To turn the off depress the **main on/off** switch to the **O** position

Setting time on remote control: On the remote control turn the fire off so the only symbol is . Hold down Flicker & lower 1 (-) buttons at the same time for three seconds and the hour will flash. Use 2 + or - buttons to set hour noting that there is an AM /PM suffix. Press Flicker again to move on to minutes and again use 2 + or - buttons. Finally press Flicker again to set the time.

***Important: Do not open and close the glass repeatedly while the heater is on or the cut out will activate.**

Automatic safety cut out: The heater is fitted with an automatic cut out to prevent any damage due to overheating. The element will continually and automatically cut out if the airflow is obstructed. **Never** cover the air inlets or outlets. To reset, switch the fire off, disconnect from the mains supply, remove the cause of overheating and allow to cool for a suitable period then switch the fire back on. **Caution:** In order to avoid a hazard due to inadvertent resetting of the thermal cut out, the appliance must not be supplied through an external switching device, such as a timer, or connected to circuit regularly switched on and off by a utility.


Areas around the fire will become hot when activated. We strongly recommend small children be kept away from having any direct contact with the appliance by means of fitting a fireguard. This appliance is not intended for use by persons (or children) with reduced physical sensory or mental capabilities or lack of experience or knowledge unless they have been given supervision or instruction concerning the use of the appliance by the person responsible for their safety. Children should be supervised to ensure they do not play with this appliance.

MAINTENANCE

Before any maintenance/cleaning is undertaken, always disconnect the fire from the mains power supply.

Replacing Lamps (Dimmable 240V 5W 3000k E14 LED lamps): Replacements are available from Flamerite Fires info@flameritefires.com. Allow a suitable time for the lamps to cool then remove the frame or dresser rail, glass & fuel effect (see Installation). Remove the two screws from either side of the fuel bed and lift out of place. Remove and replace the lamps, fuel bed, fuel effect and glass. Please note that replacement lamps are only covered from purchase by a 2 year warranty.

Changing or matching remote frequency: If you receive a replacement remote in cases of loss/damage or you need to change frequency you must follow a simple procedure to match the remote with the appliance.

1. Make sure the fire is plugged in at the mains, turned to standby (I on main on/off switch) and the LED on the manual keypad is lit **Fig. 5**.
 2. On the manual keypad **Fig. 5** on the fire press and hold the heater on & heater Hi/Low buttons together (centre buttons) for 5 seconds and the LED will flash.
 3. Press the  button on the remote control **Fig. 4**. The fire will turn on & off twice.
- The procedure is now complete and the fire is once again ready for use. (If there is no illumination, turn off main on/off switch and leave for one minute to reset software).

Changing battery in the remote

Your remote has two batteries a CR2032 Lithium Battery and an alkaline MN21 12 Volt battery, replacements are available from Flamerite Fires stockists, most electrical or photographic stores. **Ensure battery is disposed of safely. Do not dispose of in fire, do not swallow and keep away from children.**

Cleaning

The fire can be cleaned with a soft damp cloth and none abrasive glass cleaner.

Warnings.

- Do not open and close the glass repeatedly while the heater is on or the cut out will activate.
- Do not use the fire in the vicinity of a bath shower or swimming pool.
- Never use the fire to dry laundry.
- Never install the fire directly underneath a fixed main socket.
- Never cover the appliance during the operation of the fire.
- The use of an extension lead is not recommended.
- Particular caution should be applied to ensure that children do not play with the fuel effects.
- As with any electrical appliance whilst the instructions aim to cover as many eventualities as possible, caution and common sense should be applied when operating your appliance, particularly in the vicinity of small children.

Problem solving.

- **No power to the fire:** Check the wall socket, plug, fuse and lamps.
- **No illumination:** Make sure fire is turned on. Check heater is working, if so check lamps.
- **Illumination but heater blowing cold:** The safety cut out may have operated. Check for obstruction around the heater. If installed into a chimney or cavity wall is 100% of drawn air blocked off from the fire.
- **Noise when illuminated:** Due to moving parts, the electric fire will make a noise.
- **Noise from the heater when in use:** The sound of rushing air is normal.