



# Skope Outset

Wall Mounted LED Fire



## Instructions for Use, Installation & Servicing

For use in GB & IE (Great Britain & Republic of Ireland).



### **IMPORTANT**

**THE HEATER OUTLET GRILLE BECOMES VERY HOT WHILST IN OPERATION.  
DO NOT COVER THE OUTLET GRILLE OR ANY PART OF THE APPLIANCE.**

For use with 230V 50Hz electricity supply only.

Please read these instructions carefully before installation and keep them in a safe place.

They will be needed when maintenance or servicing is required.

THIS APPLIANCE MUST BE EARTHED

# Contents

Covering the following models:

Skope 70W	Skope 110W
210-040	210-056

## User Instructions .....3

1. Important Information & Health and Safety ..... 3
2. Operating Instructions ..... 3
3. Trento Modular Suite ..... 8
4. Maintenance ..... 8

## Installation Instructions .....10

- Technical Specifications ..... 10  
Appliance Dimensions ..... 10

## Installation ..... 11

1. General ..... 11
2. Fitting the Appliance ..... 11
3. Corner Installation (if applicable) ..... 12
4. Wall Mounted Installation - Mounting Bracket ..... 13
5. Custom Built Installation ..... 14
6. Trento Modular Suite ..... 14
7. Removing the Exterior Glass ..... 15
8. Fuel Effect ..... 15

## Servicing .....18

1. Fault Finding ..... 18
2. How to Wire a Plug ..... 18
3. Servicing Requirements ..... 19
4. Removing the Exterior Glass ..... 19
5. Removing the LED Light Bar ..... 20
6. Removing the Fuel Bed ..... 20
7. Replacing the Fuel Bed Effects Spindle ..... 20
8. Replacing the Fuel Bed LED Boards ..... 21
9. Replacing the Interior Glass ..... 22
10. Replacing the Effects Screen ..... 23
11. Replacing the Flame Effects Spindle ..... 23
12. Replacing the Flame Effects LED Board ..... 24
13. Replacing the Fuel Bed Motor ..... 25
14. Replacing the Flame Effects Motor ..... 25
15. Replacing the Power Unit ..... 26
16. Replacing the Heater Assembly ..... 26
17. Pairing the Remote Control to the Appliance ..... 27
18. Resetting the Remote Control ..... 27

## Wiring Diagram .....28

## Packing Checklist .....29

## Spare Parts List .....30

## Information Requirement - Electric Heaters .....31



To receive your Extended Warranty your Gazco appliance must have been purchased from our Expert Retailer Network and registered within one month of purchase or installation. Please note that all warranties are effective from the date of purchase. Any Gazco product purchased outside of our Extended Retailer Network, or not registered within the stated time will carry a standard 12 month warranty.

Full terms and conditions are detailed in the Warranty Statement on the Gazco website [www.gazco.com](http://www.gazco.com). In the event of any conflict of information the wording on the website shall prevail.

Important Note: Should any problems be experienced with your product, claims must first be submitted to the Expert Retailer where the appliance was purchased from who will offer immediate assistance or contact Gazco on your behalf.




Registration No WEE/DH1656ZW  
In accordance with European Directive 2012/19/EU, waste electrical and electronic equipment (WEEE) must not be disposed of with household waste.

At the end of its useful life please take this product to an appropriate recycling centre or collection point. You can find your nearest recycling centre by using the bank locator at [www.recycle-more.co.uk](http://www.recycle-more.co.uk) for UK customers, [www.weeeireland.ie](http://www.weeeireland.ie) for customers in the Republic of Ireland, or by contacting your local authority.

# User Instructions

## 1. Important Information and Health and Safety

- 1.1 **Read all of the instructions carefully before using the appliance.**
- 1.2 **Remove all packaging and dispose of at an appropriate recycling facility.**
- 1.3 Do not locate this appliance immediately below a fixed socket outlet.
- 1.4 Do not use this appliance in the immediate surroundings of a bath, shower, swimming pool or any other area where the appliance could come into contact with water or humidity, e.g. a bathroom.
- 1.5  **WARNING! DO NOT COVER**  
Do not allow the appliance to be covered or let the air inlet/outlet become obstructed as the appliance may overheat. Please note the warning symbol on the appliance (see above).
- 1.6 **For indoor use only.** This appliance is not suitable for use outside the house.
- 1.7 Keep the power cord away from hot surfaces and hot conditions. Do not route the power lead in front of the appliance.
- 1.8 This appliance must be firmly fixed to or recessed into, a flat internal wall. Ensure that furniture, curtains etc. are positioned no closer than 1m to the appliance.
- 1.9 When the appliance has been installed the position of the plug must be accessible.
- 1.10 Where the electricity supply cable has to pass through a masonry wall, stone surround etc. ensure suitable rubber bushes are fitted at possible wear points.
- 1.11 If the electricity supply cable is damaged do not use the appliance until it has been replaced. For safety reasons the replacement has to be carried out by a Gazco service agent or a similarly competent electrician.
- 1.12 **CAUTION:** In order to avoid a hazard due to inadvertent resetting of the thermal cut-out, this appliance must not be supplied through an external switching device, such as a timer, or connected to a circuit that is regularly switched on and off by the utility.
- 1.13 Do not operate the appliance if it is damaged.
- 1.14 Repairs of electrical appliances must only be performed by an electrical engineer. Should the appliance fail to operate, or in case of any damage, please contact the retailer from whom the appliance was purchased.
- 1.15 This appliance can be used by children aged from 8 years and above and persons with reduced physical, sensory or mental capabilities or lack of experience and knowledge if they have been given supervision or instruction concerning use of the appliance in a safe way and understand the hazards involved. Children of less than 3 years should be kept away unless continuously supervised.

Children aged from 3 years and less than 8 years shall only switch on/off the appliance provided that it has been placed or installed in its intended normal operating position and they have been given supervision or instruction concerning use of the appliance in a safe way and understand the hazards involved. Children aged from 3 years and less than 8 years shall not plug in, regulate and clean the appliance or perform maintenance.

**However Gazco recommend:**

**This appliance is not intended to be used by persons under the age of 12, persons with reduced physical, sensory or mental capabilities or persons with lack of experience and knowledge in the safe operation of the appliance.**

The appliance may be operated by persons above the age of 12 provided they have been instructed in the safe use of the appliance and that they understand the hazards involved. Persons above the age of 12 may also operate the appliance under the supervision of a responsible adult.

Parts of this appliance become hot whilst in operation and under no circumstances should persons under the age of 12 be left alone with the product when it is in operation unless a suitable fireguard is used to protect them against the possibility of coming into direct contact with the appliance.

Children shall not play with the appliance.

Cleaning and user maintenance shall not be made by children without supervision.

## 2. Operating Instructions



**WARNING! Do not operate the appliance if it is damaged or has malfunctioned. If you suspect the appliance is damaged or has malfunctioned call a qualified service engineer to inspect the appliance, and replace any part of the electrical system if necessary, before reuse.**

**Do not disconnect the power at the mains supply whilst the appliance is running. Use the functions on the remote to turn the fire off and ensure the mains switch has been moved to the off position before disconnecting.**

### GENERAL

- 2.1 The appliance can be operated by the radio frequency handset or the manual controls which are on the right hand side of the viewing window.



**NOTE: To use both remote and manual functions the manual on/off switch must be in 'ON' position. In order to prevent the product becoming too hot, there is a 10s delay when turning on the heater and a 10s delay when turning off the heater fan.**

**The manual button controls basic functions, not a full range of controls. Use the remote hand set to carry out all functions.**

# User Instructions

## PREPARATION BEFORE USE

### Batteries:

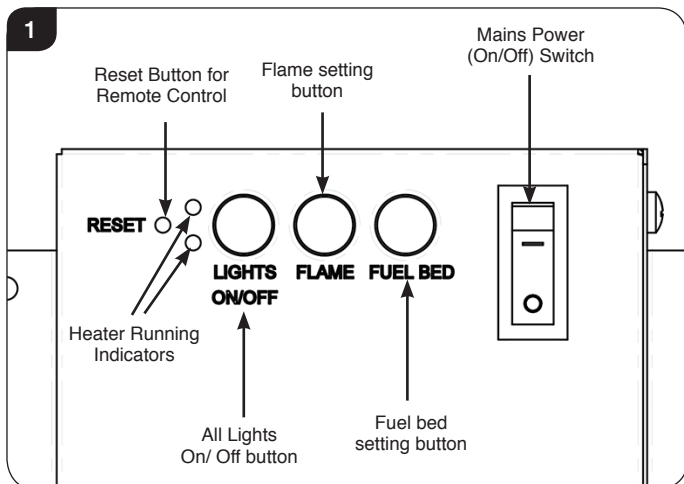
- 2.2 Ensure that the handset batteries are new and inserted correctly.
- 2.3 Dispose of old batteries at an appropriate recycling facility.

### LOCATION OF POWER SWITCH

- 2.4 The mains power switch is located on the control panel located on the right-hand side of the viewing window, see Section 2a.
- 2.5 Switch ON (—) before operating either the remote or manual controls.
- 2.6 A long beep is heard to indicate the fire is ready for use.

## 2a. Manual Control Panel

- 2a.1 The manual controls on appliance are located at the upper right of appliance.
- 2a.2 Turning on the appliance with the main power switch on '—' position. A long beep will be heard.
- 2a.3 Press "LIGHTS ON/OFF" to turn on or turn off both the flame and fuel bed at the same time.
- 2a.4 There are 3 flame colour options:  
  
Press "FLAME" button to select the colour of flame (3 kinds of flame colour with flame) or return to the OFF position.
- 2a.5 Press "FUEL BED" button to select the colour of fuel bed (14 kinds of fuel bed) or return to the OFF position.



**Note:** The appliance will lose the memory for the light functions when the switch is set to the Off Position or the remote runs out of power.

## Heater Running Indicators (see Diagram 1)

- 2a.6 When the fan heater is used in conjunction with the flame or fuel bed effects the heater running indicators will light up for 10 seconds.

The LEDs will illuminate for 10 seconds if the flame or fuel bed effect is On.

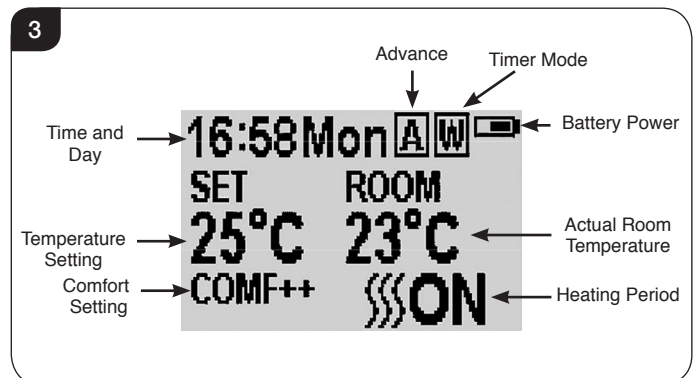
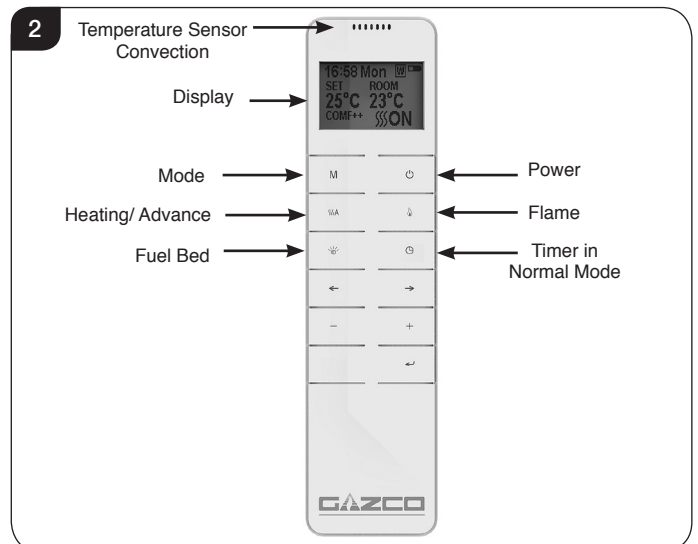
If the fan heater is used independently, the heater running indicators will stay on.

## Reset Button for Remote Control

- 2a.7 If the handset loses signal or needs to be replaced then, see Section 17 in Servicing Section for details.

## 2b. Remote Controls

The remote control should be left on a flat surface in the room where the appliance is installed and away from any direct flow of hot air.






## Signal Code

- 2b.1 The remote control works by radio signal. The handheld transmitter is configured in the factory with a unique signal code.

**IMPORTANT:** If the handset loses signal or needs to be replaced, see Section 17 in Servicing Section for details.

# User Instructions

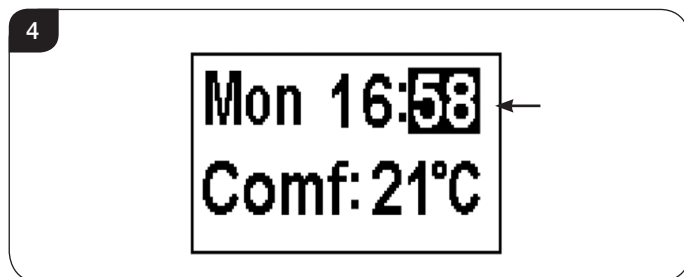
## Turn on/off

- 2b.2 Press  button to turn on the flame effect.
- 2b.3 Press  button to turn off all the functions under the normal heating control mode including flame effect and fan heater.
- 2b.4 Press  button to turn off the flame effect under daily and week timer heating mode.

## Week Days/ Time/ Comfort Temperature and Unit Setting

On activation it is recommended that the clock is reset to the correct time to ensure accuracy of the appliance operation.

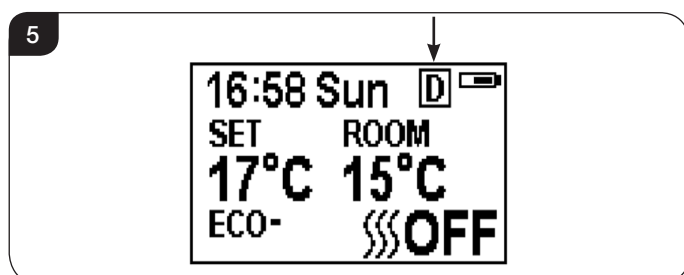
- 2b.5 Hold the **M** button for 3 seconds to enter the setting screen.
- 2b.6 Press the '←' or '→' button to choose setting to change.
- The selected character will be highlighted, see Diagram 4.



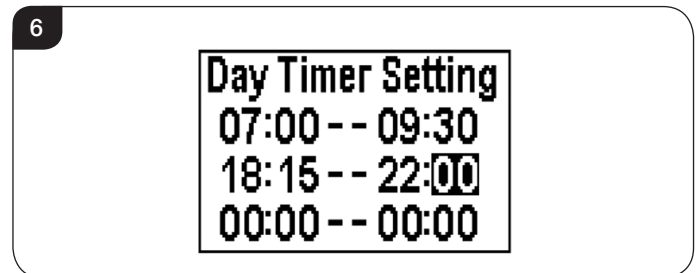
- 2b.7 Press the '+' or '-' button to adjust the number.
- Time: 24-hour system.  
Select Comfort temperature from 15-25°C.  
Temperature unit: °C/°F.
- 2b.8 Press the ← button for 3 seconds or wait 10 seconds to save and exit the week, time and heating temperature setting.

## Daily Timer Heating

- 2b.9 The following heating periods have been preset, these can be altered if desired:
- 06:00 until 08:00  
17:00 until 22:00
- 2b.10 Press **M** until **D** shows at the upper right corner of the screen to enter the daily timer heating mode.



- 2b.11 Hold the ← button for 6 seconds to enter the daily heating setting.  
A maximum of 3 timed heating periods can be set per day.
- 2b.12 Press '←' or '→' to choose hour or minute.
- 2b.13 Press '+' or '-' to set the number.  
The minute increment / decrement by 15min per press.



- 2b.14 Hold the ← button for 3 seconds or wait for 10 seconds to save and exit the heating time period setting.
- 2b.15 Check the timer setting. Press ← to check the daily timer mode.
- 2b.16 If the heating needs to be turned off, it will be necessary to go back to the Normal Control Mode to it turn off.

**When in Daily Timer Mode switching the appliance off with the remote will stop the light output. The heat output will continue according to the timer settings.**

## Adjusting the Set Temperature

- 2b.17 Press the '+' or '-' button to increase or decrease the temperature on the basis of COMF temperature.

COMF means the actual temperature is the same as setting.

ECO means the actual temperature is 2°C lower than the setting temperature.

ECO- means 4°C lower.

COMF+ means 2°C higher.

COMF++ means 4°C higher.

## Adaptive start control

According to room temperature and set-pointed temperature, the heater will automatically determine the appropriate time to heat to ensure that it will reach the set-pointed temperature in the set time (up to 45 minutes prior to the set time).



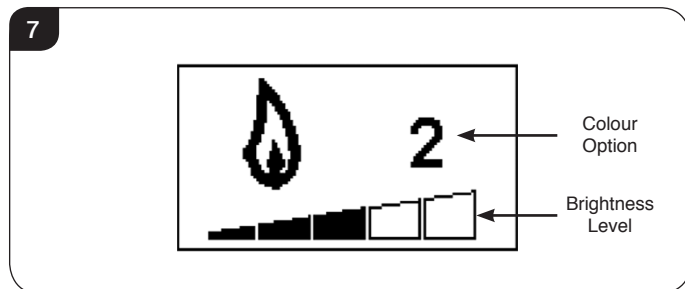
# User Instructions

## Flame Colour Adjustment

2b.18 Press  button to enter the flame adjustment screen.

There are 3 flame colour options, indicated by the number shown in Diagram 7.

There are 6 levels of brightness, including off. This is indicated by the bar, with the blank bar indicating off, see Diagram 7.




2b.19 Press the '←' or '→' button to cycle through the flame colour options.

2b.20 Press the '+' button to increase the flame brightness.

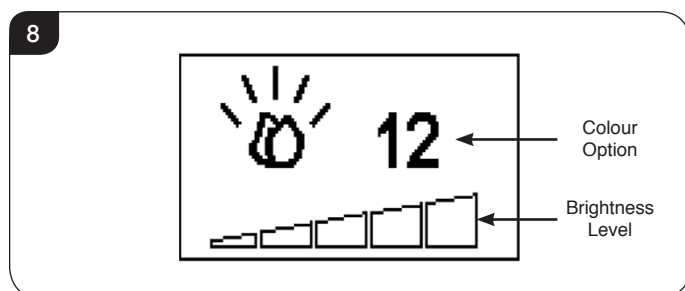
Press the '-' button to decrease the flame brightness until off.

## Fuel Bed Colour Adjustment

2b.21 Press  to enter the fuel bed light adjustment screen.

There are 14 fuel bed colour options, indicated by the number shown in Diagram 8.

There are 6 levels of brightness, including off. This is indicated by the bar, with the blank bar indicating off, see Diagram 8.



2b.22 Press the '←' or '→' button to cycle through the fuel bed colour options.

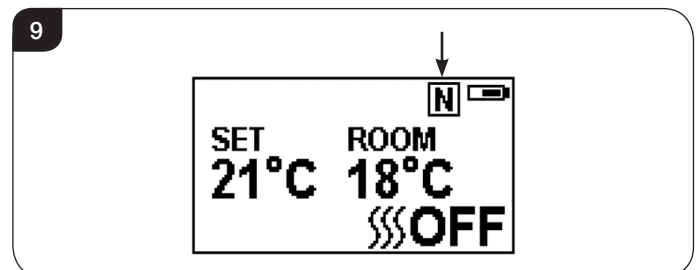
2b.23 Press the '+' button to increase the fuel bed brightness.

Press the '-' button to decrease the fuel bed brightness until off.


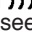

## Normal Control Mode

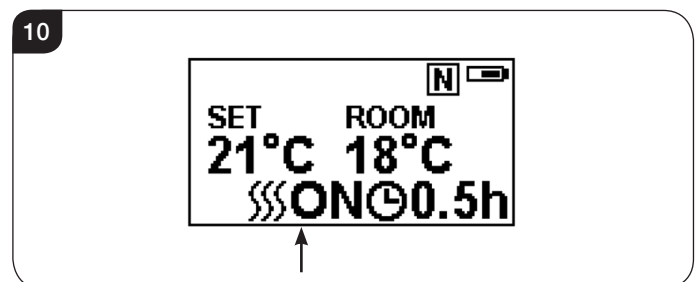
2b.24 Normal Control Mode is the default setting.

Alternatively press **M** button until the **N** logo is shown at the upper right corner of the screen, see Diagram 9.



2b.25 Press the '+' or '-' button to adjust the setting temperature from 17 °C to 25°C.

2b.26 Press  **A** button to turn the heat on/off,  ON or  OFF will show at the lower right corner of the screen, see Diagram 10.




Note: It is normal for the fan heater to stop running for periods of time. This happens if the room temperature is higher than the temperature set on the control.

The heater indicator will be turned off after 10s if the flame is switched ON. The heater indicator will stay ON if only the heating function is used.

**When in Normal Control Mode switching the appliance off with the remote will stop both the light and heat output.**

## Count Down Timer

This setting is only in normal heating control mode. It allows the appliance to be returned to Standby after a set period of time. The heater must be switched on to use this function.




2b.27 Press  to cycle through the setting from Off and 0.5 hours to 9 hours. Timer logo and remaining time will show on the screen.

The heater of appliance can be automatically run by using daily timer and weekly timer on the remote.

# User Instructions

## Battery

The battery power level is indicated at the top right of the remote control screen, see Diagram 3.

	Battery Full	No action required
	Battery Half Power	Ensure new batteries are available.
	Battery Empty	Replace batteries immediately

Battery replacement is recommended after 1 year. The Remote requires two 1.5V alkaline AAA batteries.

**Changing the batteries will not affect the Timer Mode settings, however, the clock may need adjusting.**

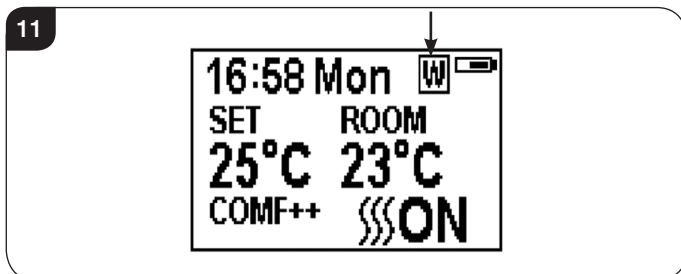
## Week Timer Heating

2b.28 The following heating periods have been preset, these can be altered if desired:

From Monday to Friday  
 06:00 until 08:30  
 17:00 until 22:00

From Saturday to Sunday  
 06:30 until 09:30  
 11:00 until 13:00  
 17:00 until 22:00

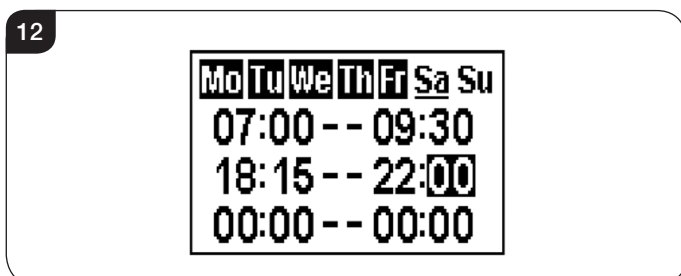
2b.29 Press **M** until **W** shows at the upper right corner of the screen to enter the week heating mode.



2b.30 Hold the **←** button for 6 seconds to enter the week timer heating mode setting.

2b.31 Press '**←**' or '**→**' to move the cursor (a flashing underline).

2b.32 Press the **←** button in the corresponding week position to select (the character is highlighted) or cancel (the character is displayed normally) the current setting, the same time period can be selected together.



2b.33 Press the '**→**' button to move the cursor to the time period setting area.

2b.34 Press '**←**' or '**→**' button to choose hour or minute.

2b.35 Press '+' or '-' to set the number.

A maximum of 3 timed heating periods can be set per day.

Minute increment / decrement by 15min per press.

2b.36 Press **←** to set the heating time for the selected day and return to the week line.

2b.37 Hold the **←** button for 3 seconds or wait for 10 seconds to save and exit the heating time period setting.

2b.38 Press **←** '**←**' or '**→**' to check the timer setting for the week timer heating mode.

2b.39 If the heating needs to be turned off, it will be necessary to go back to the Normal Control Mode to it turn off.

**When in Weekly Timer Mode switching the appliance off with the remote will stop the light output. The heat output will continue according to the timer settings.**

## Adjusting the Set Temperature

2b.40 Press the '+' or '-' button to increase or decrease the temperature on the basis of COMF temperature.

COMF means the actual temperature is the same as setting.

ECO means the actual temperature is 2°C lower than the setting temperature.

ECO- means 4°C lower.

COMF+ means 2°C higher.

COMF++ means 4°C higher.

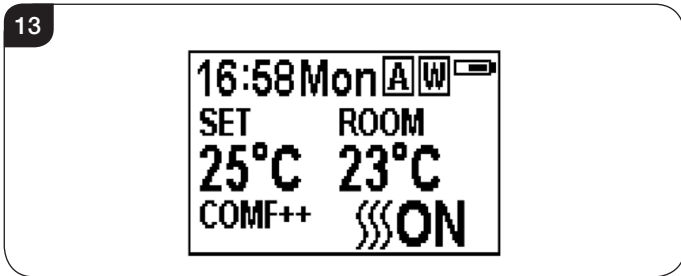
## Adaptive start control

According to room temperature and set-pointed temperature, the heater will automatically determine the appropriate time to heat to ensure that it will reach the set-pointed temperature in the set time (up to 45 minutes prior to the set time).

# User Instructions

## Advance mode

2b.41 The heating state can be advanced to the next period is under both the daily and week timer heating mode.



If the heater is on in the current period, pressing the button will turn the heater off.

If the heater is off in the current period, pressing the button will turn the heater on.

Whether the actual heating will be on/off also depends on the room temperature and setting temperature.

2b.42 Press **[[[A** to enter the Advance mode under the daily and week timer heating mode, **A** will show at the upper right corner of the screen.

2b.43 Press **[[[A** again or timer period ends will exit the Advance mode.

## Window open detecting

2b.44 When the transmitter detects a rapid drop in room temperature, it will be judged as an open window: the warning icon will be displayed and the heating will be turned off automatically.



2b.45 After indoor temperature rise or manual intervention (by operating remote control), it will return to normal working state.

## 3. Trento Modular Suite

Please refer to the Trento Modular Suite instructions PR2453.

## 4. Maintenance

4.1 **ALWAYS UNPLUG FROM MAINS SUPPLY BEFORE CLEANING OR UNDERTAKING ANY MAINTENANCE.**

### GENERAL CLEANING

4.2 Only clean the outer casing when it is cold. Do not use abrasive cleaners.

### CLEANING GLASS

4.3 Wipe the glass viewing panel with a damp cloth and buff with a lint free duster.

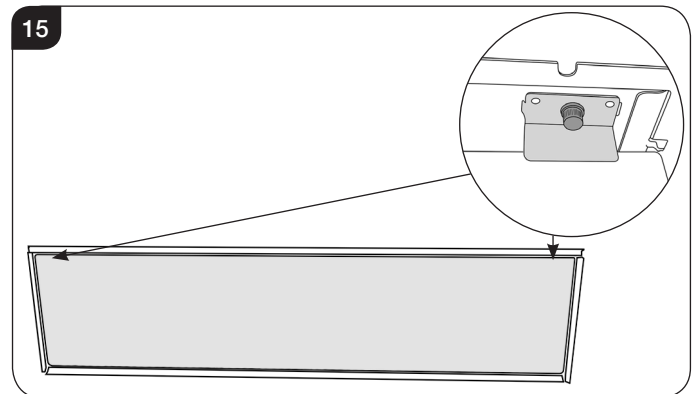
**Caution: Do not use abrasive cleaners on the glass panel. Do not spray liquids directly onto any surface of the unit.**

### CLEANING THE FUEL EFFECT

To access the fuel effect it will be necessary to remove the glass viewing panel.

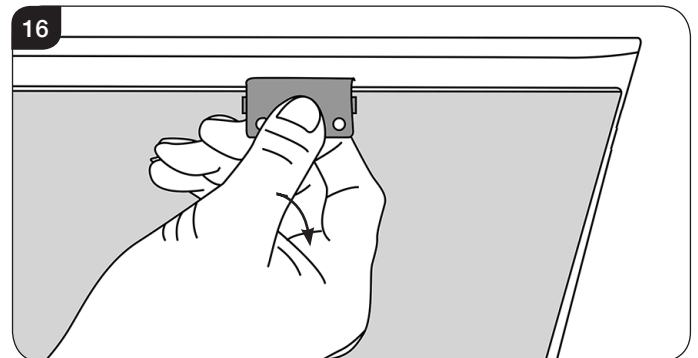
4.4 Ensure the appliance is unplugged.

4.5 There is a clamp at the top of each corner of the glass viewing panel that secure the glass in place, see Diagram 15.



4.6 Supporting the glass, loosen and remove the 2 clamps. These can be unscrewed using just finger tips.

4.7 Carefully tip the glass forward and lift out of the lower tray to remove from the appliance, see Diagram 16.



The fuel effect can now be accessed.



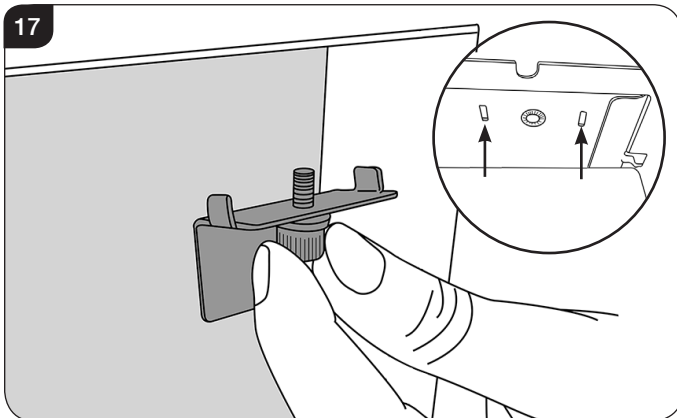
# User Instructions

- 4.8 Remove and wash the fuel effect to remove any dust particles. Alternatively clean with a lint free duster.  
**Ensure that the effect is dry before replacing.**

**Replace the fuel effect see Installation Instructions Section 5 for layout.**

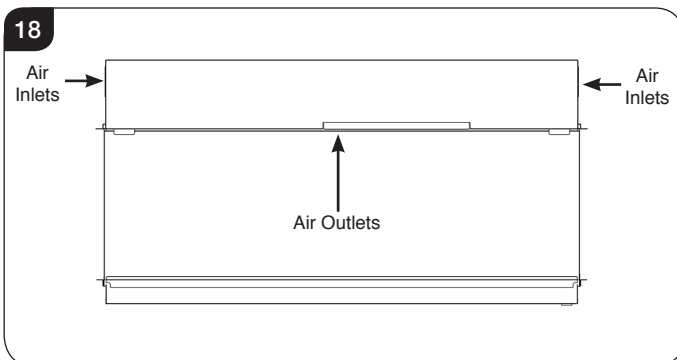
- 4.9 Replace the glass following the instructions in reverse order.

When replacing the clamps ensure that the tabs on the clamps locate in the slots on the appliance, see Diagram 17.



## CLEANING AIR INLETS

- 4.10 Ensure the appliance is unplugged.
- 4.11 Clean the air inlet and outlet grilles regularly with a soft cloth or the nozzle of a vacuum cleaner.



**Dust build-up can inhibit efficient performance of the fan and lead to the safety cut-out operating.**

- 4.12 Keep the area around the appliance clean and free of fluff, dust or pet hair.
- 4.13 In particular, build-up of dust etc. can occur around the heater area. Take particular care to keep this area free from such particles on a regular basis to prevent build-up.

## BATTERY REPLACEMENT

- 4.14 When the remote battery is low it must be changed immediately. Install correct replacement and dispose of the old battery carefully at an appropriate recycling facility.

# Installation Instructions

## Technical Specification

These instructions cover the following models:

Skope 70W	Skope 110W
210-040	210-056

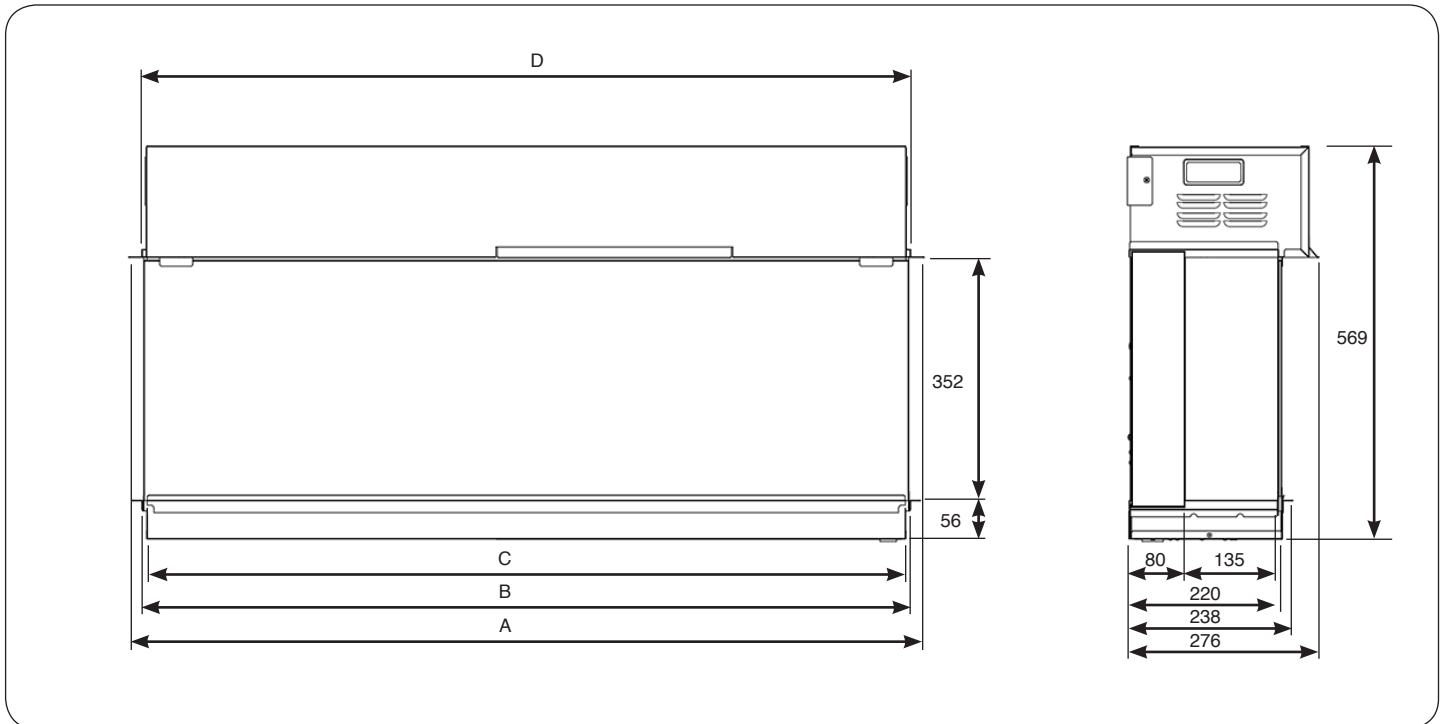
A 230V  $\pm 10\%$  13A 50Hz supply is required  
 Maximum power consumption:  
 Skope 70W: 2000 Watts  
 Skope 110W: 2000 Watts  
**THIS APPLIANCE MUST BE EARTHED**

A 1.8 metre lead with a BS1363 plug containing a BS1362 13A fuse is supplied. Only use a BS1362 13A fuse with this appliance.

2 x Remote control handset battery (AAA)

For Packing Checklist, see Page 29.

Control System Technical Data			
	Main Control Board	Remote Receiver Board	Remote Control
Hardware	RC01-041A04 V2	RF290B V1.2	RF290A-TX V1.3
Software	RC01-041A04 V2	-	RF290C V06.0.HEX
Frequency	-	-	ASK/OOK 433.92MHz
Maximum Transmit Power	-	-	10mW



Model	A	B	C	D
Skope 70W	754	710	700	716
Skope 110W	1154	1110	1100	1116

# Installation Instructions

## 1. General

### 1.1 TOOLS REQUIRED

A Screw Driver, Spirit Level and Drill will be needed.

### 1.2 UNPACKING THE FIREPLACE

**WARNING! DO NOT use this appliance if any part has been exposed to water.**

Immediately call a qualified service technician to inspect and to replace any part of the electrical system if necessary.

- 1.3 Open the packaging carefully and remove the polystyrene. Remove and discard the plastic bag. Keep plastic wrapping away from children. Be responsible when handling the packing materials.

- 1.4 Check all parts and accessories are removed before disposing of any packaging. If necessary keep the original packaging for future transport and/or storage.

## 2. Fitting the Appliance



**ENSURE THAT THE MAINS SUPPLY IS ISOLATED.**

### 2.1 Locating the Skope

Your new Skope may be installed virtually anywhere in your home. However, when choosing a location ensure that the general instructions are followed.

- 2.2 For best results, install out of direct sunlight.
- 2.3 **Make sure there are no pipes or cables behind the area to be drilled or cut.**
- 2.4 **Before installation ensure that the wall is suitably constructed to support the weight of the appliance.**
- 2.5 The appliance should ideally be located close to a suitable mains socket to enable connection. An extension could be run from an existing socket outlet but this must be carried out by a suitably qualified electrical engineer. The electrical socket must be easily accessible to allow disconnection when the appliance is fitted.
- 2.6 If access to the underside of the appliance will be limited after installation is complete, ensure the plug connection on the underside of the appliance has been considered.



This appliance must be fixed to the wall using the wall mounting bracket provided.

The installation can then be finished in one of the following ways;

1. Installation with a Trento Modular Suite. See Installation Instructions supplied with the Trento (PR2453).
2. Installation into a custom built setting. **Note: If installing the appliance into a custom built corner installation the side brackets will need to be replaced with the 2 brackets supplied, see Section 3.**

- 2.7 If the power cord is damaged, it must be repaired by the manufacturer, its authorised service centre or professional person.
- 2.8 Ensure that curtains and furniture are not positioned close to the chosen position, as this would create a potential fire hazard or block the heater outlet ducts.

**WARNING! KEEP ALL COMBUSTIBLE MATERIALS AT LEAST 1M FROM THE FRONT OF THE ELECTRIC FIREPLACE.**

## Optional Extras

- 2.9 This appliance can be installed with an optional decorative trim to finish the installation. For details please contact your Gazco retailer.

Product Code	Description
910-113	Skope 70W Centre Metal Trim
910-091	Skope 70W Left Hand Corner Metal Trim
910-102	Skope 70W Right Hand Corner Metal Trim
910-146	Skope 110W Centre Metal Trim
910-124	Skope 110W Left Hand Corner Metal Trim
910-135	Skope 110W Right Hand Corner Metal Trim

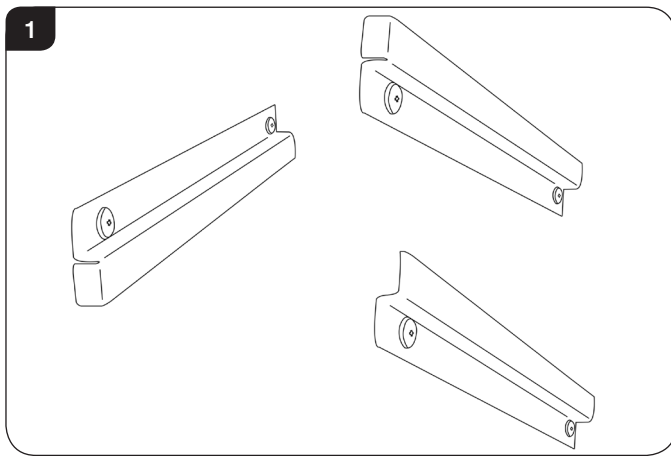
# Installation Instructions

## 3. Corner Installation (if applicable)

If access to the underside of the appliance will be limited after installation is complete, ensure the plug connection has been considered.

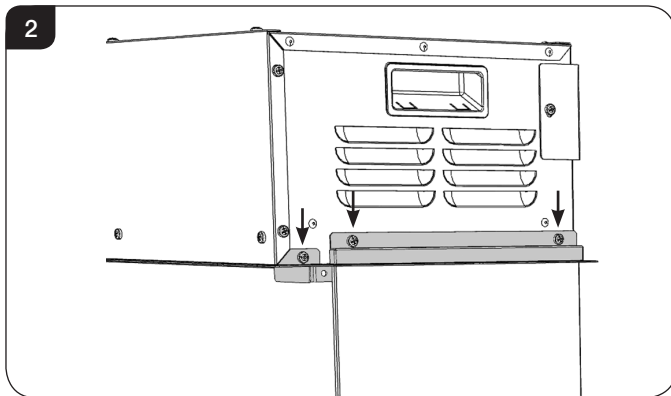
**i** **Note:** If installing the appliance into a custom built corner installation the side brackets will need to be replaced with the 3 Corner Side Glass Retainer brackets supplied.

If the appliance is to be installed in a right hand corner, the right hand brackets will need to be replaced. If left hand, replace the left hand brackets.

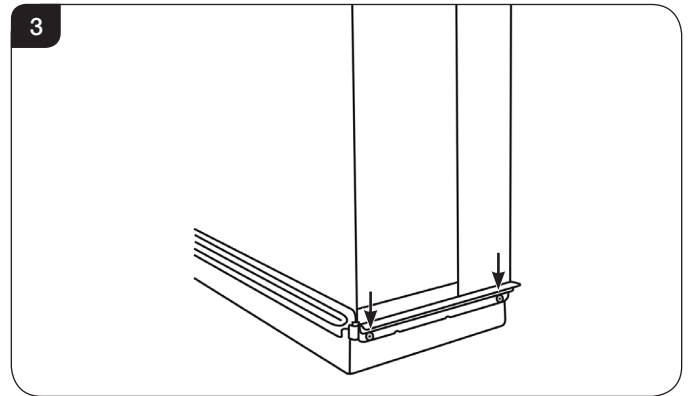


To change the brackets:

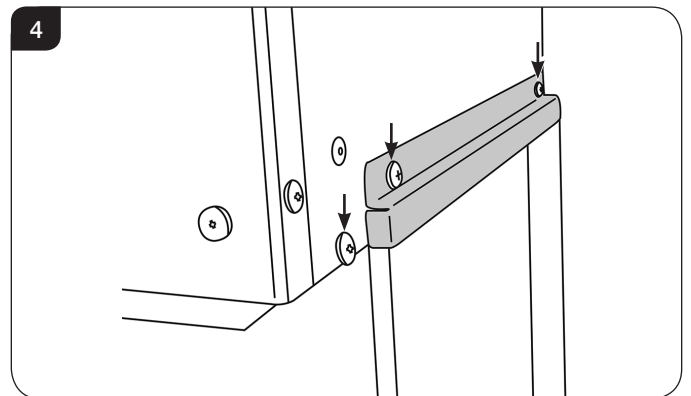
- 3.1 Support the bracket and remove the 3 screws, see Diagram 2.



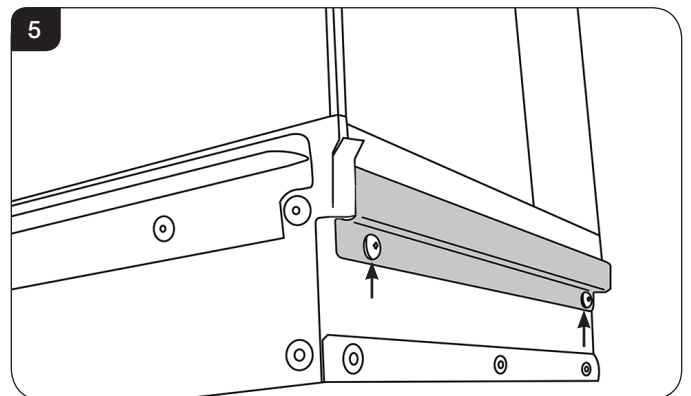
- 3.2 Remove the 2 Screws securing the lower bracket, see Diagram 3.



- 3.3 Fit the top Corner Side Glass Retainer bracket, ensuring all 3 screws are replaced, see Diagram 4.



- 3.4 Fit the bottom Corner Side Glass Retainer bracket ensuring both screws are replaced, see Diagram 5.

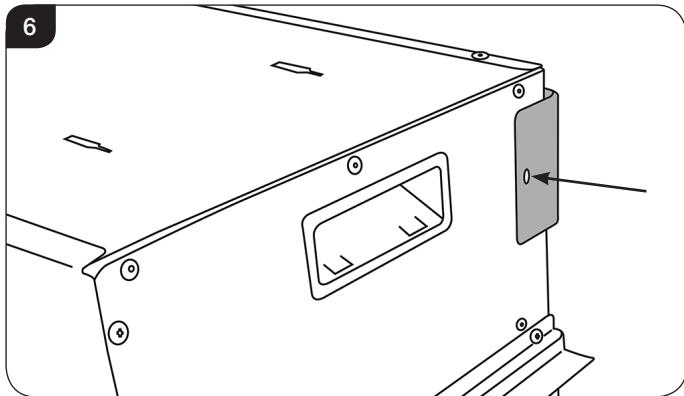


- 3.5 Install the appliance using the desired method and finish.

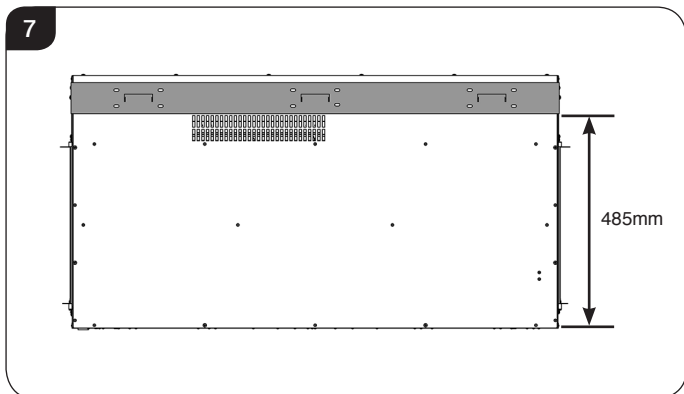
## 4. Mounting Bracket

The wall mounting bracket will need to be separated from the appliance.

- 4.1 Lay the appliance face down on a soft flat surface to avoid damage.
- 4.2 Unscrew the mounting bracket from the upper left and right sides of the appliance, see Diagram 6. Retain the screws as they will be required during installation.

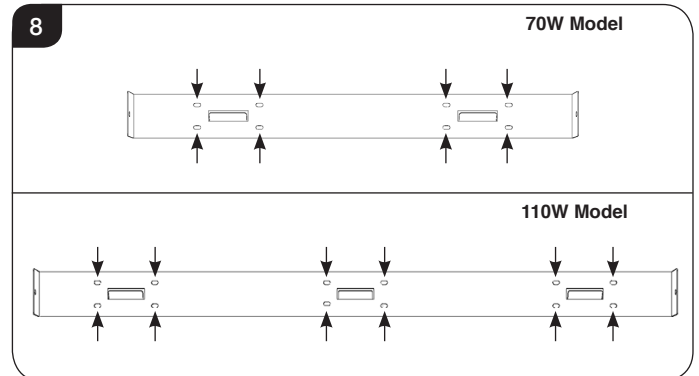


- 4.3 **Make sure there are no pipes or cables behind the area to be drilled.**
- 4.4 Decide on the desired height from the floor level to the bottom of the heater unit.
- 4.5 The bottom of the wall bracket measures 485mm from the bottom of the appliance, see Diagram 7.

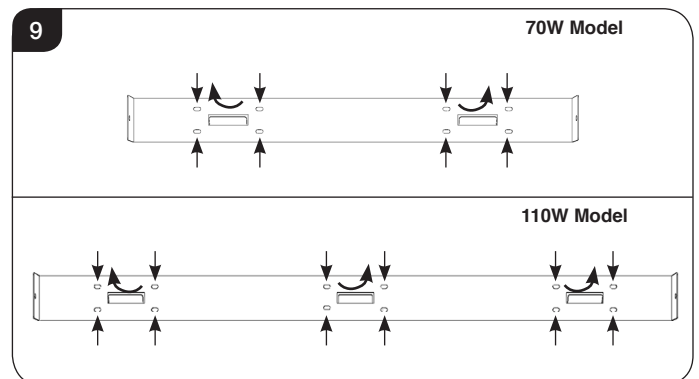


- 4.6 To prepare the installation measure the distance from floor level and using a spirit level draw a line 485mm higher than the intended position of the bottom of the appliance.  
NOTE: If fitting a Trento surround add 30mm to the bottom of the appliance.

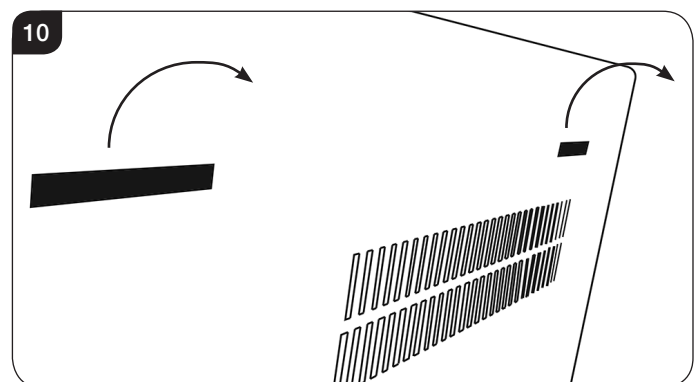
- 4.7 Position the wall mounting bracket so that the bottom edge is level with the line drawn on the wall.
- 4.8 Mark the position of the fixing holes on the wall (8 fixing holes 70W models/ 12 fixing holes 110W models), see Diagram 8.



- 4.9 Drill the holes and insert the rawlplugs provided.  
Note: The rawlplugs supplied are suitable for solid wall applications. If it is intended to mount the appliance onto plasterboard or hollow walls suitable fixings must be used.
- 4.10 Attach the bracket to the wall using the screws provided ensuring the folds are projecting up, see Diagram 9.

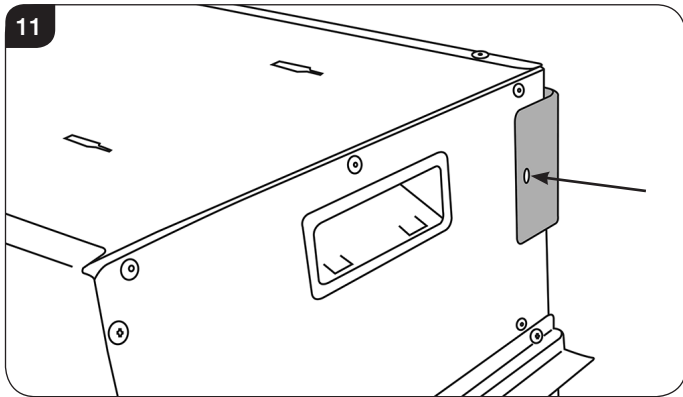


- 4.11 Lift the appliance onto the bracket. Ensure the folds locate into the slots on the back of the appliance, see Diagram 10.

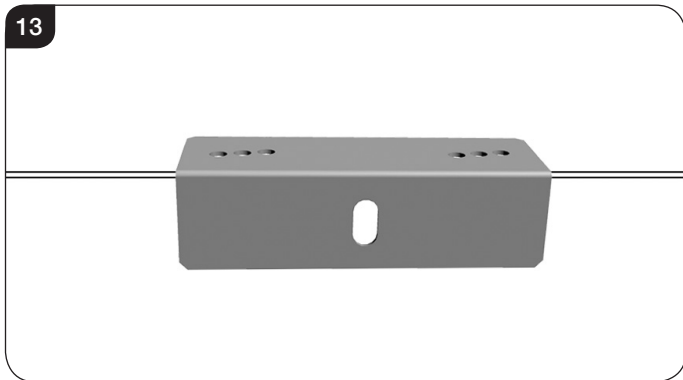
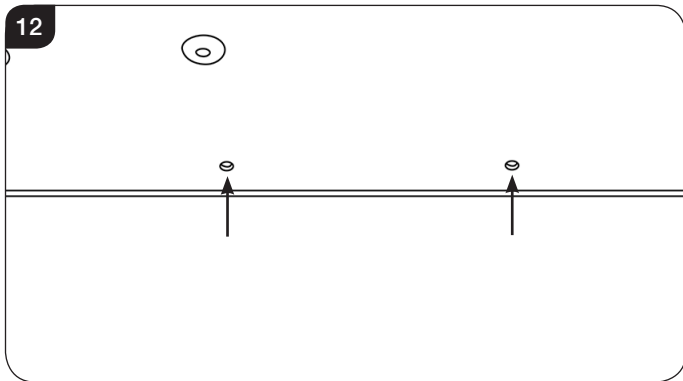


# Installation Instructions

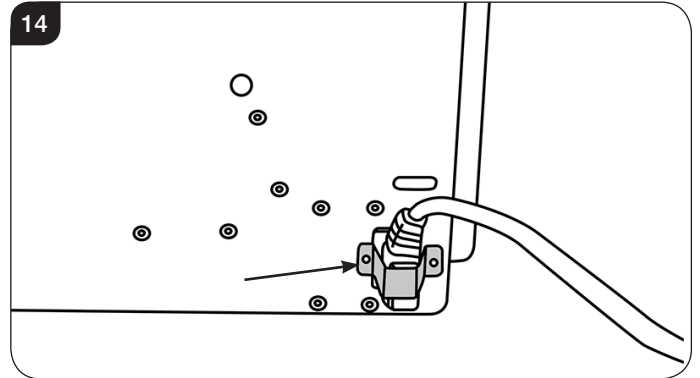
- 4.12 Secure with 2 screws at either side of the bracket, see Diagram 11.



- 4.13 Fasten the two lower fixing bracket to the 2 fixing points on the underside of the appliance and secure to the wall, see Diagrams 12 & 13.



- 4.14 Connect the power cable to the underside of the appliance, see Diagram 14.
- 4.15 A securing cable grip has been supplied. Place the cable grip around the plug and secure with the 2 screws, see Diagram 14.



## 5. Custom Installation

The Skope has been designed so that it can be fitted into a masonry wall or a custom built studwork enclosure.

The heater should ideally be fitted into/onto an internal flat wall constructed from either studwork and plasterboard block/brick. Please ensure that suitable fixings are used when securing to any hollow or purpose built cavity. **NOTE:** This appliance is not suitable for fitting to a Cavity Wall, backing on to an outside wall, an open chimney or any opening that may be subject to damp and draft, unless adequate precautions are taken to avoid the appliance coming into contact with moisture or excessive drafts. In such installations, any existing chimney and/or purpose provided air vents should be fully sealed.

- 5.1 Construct a suitably sized enclosure for the appliance to the desired width and height. Finish the enclosure in the chosen materials ensuring the panels are pushed up to the top and bottom flanges of the appliance.

Note: If it is intended to install the Skope in a Corner setting see Section 3 before commencing work.

**Combustible or non-combustible building materials** may be used to finish up to the fireplace opening.

**DO NOT PACK THE VOID AROUND OR ABOVE THE APPLIANCE WITH INSULATION MATERIALS SUCH AS MINERAL WOOL.**

## 6. Fitting the Trento Suite

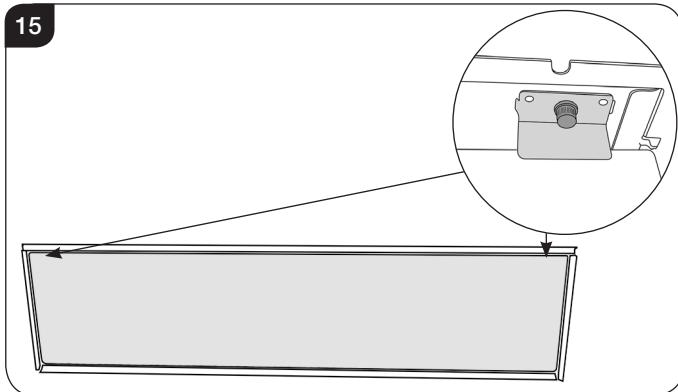
To fit the Trento Modular suite follow the instructions provided, PR2453.



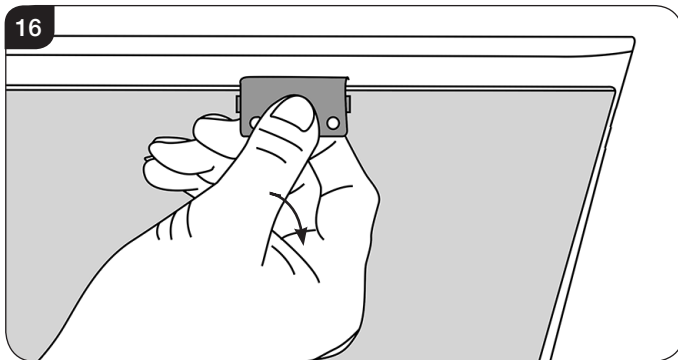
# Installation Instructions

## 7. Removing the Exterior Glass

- 7.1 To place the fuel effect it will be necessary to remove the exterior glass panel.
- 7.2 There is a clamp at the top of each corner of the glass viewing panel that secure the glass in place, see Diagram 15.  
**Take care to support the glass when removing clamps.**



- 7.3 Supporting the glass, loosen and remove the 2 clamps. These can be unscrewed using just finger tips.
- 7.4 Carefully tip the glass forward and lift out of the lower tray to remove from the appliance, see Diagram 16. The clamp can be used to aid removal.



## 8. Fuel Effect

- 8.1 The appliance is supplied with 2 fuel effect options:
- 8a. Crystal Ice Glass Effect.
  - 8b. Log Effect.

### 8a. Crystal Ice Glass Effect

- 8a.1 Evenly spread the small glass-effect crystals across the fuel bed.  
It is not necessary to use all of the effect supplied.
- 8a.2 Randomly space the large glass-effect crystals throughout the fuel bed.

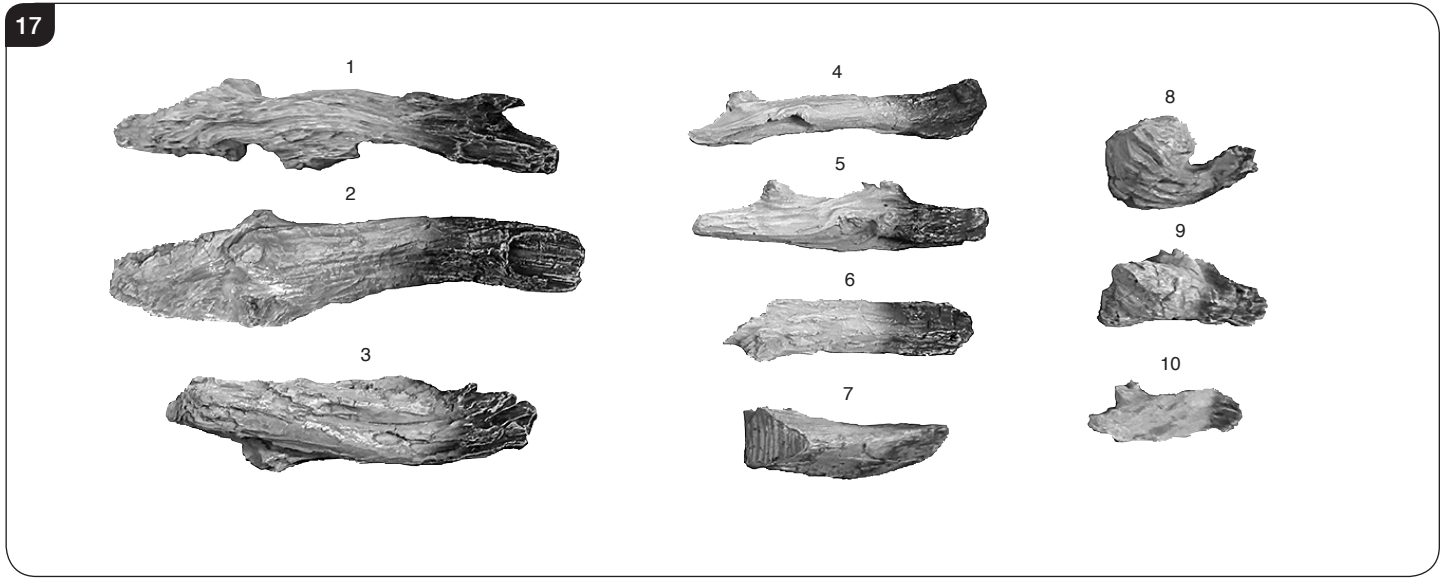
# Installation Instructions

## 8b. Log Effect

**LOGS MUST BE POSITIONED ACCORDING TO THE FOLLOWING INSTRUCTIONS TO GIVE THE CORRECT FLAME EFFECT.**

The logs for the fuel bed are NOT individually labelled, the numbers are for reference information only.

- 8b.1 Evenly spread the clear pebble effect across the fuel bed.
- 8b.2 Randomly space the grey pebble effect throughout the fuel bed.
- 8b.3 Identify the logs using Diagram 17 and the table below.

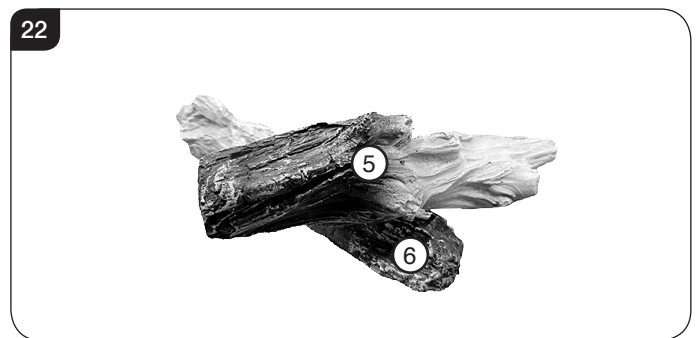
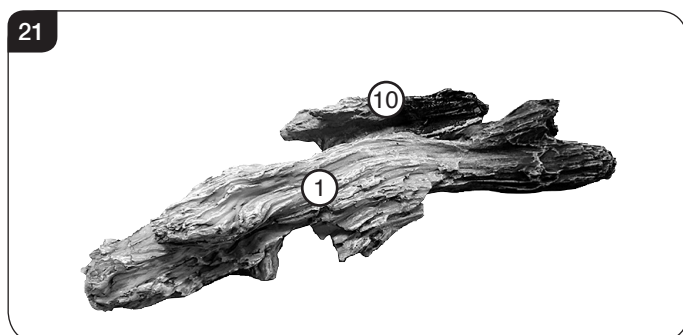
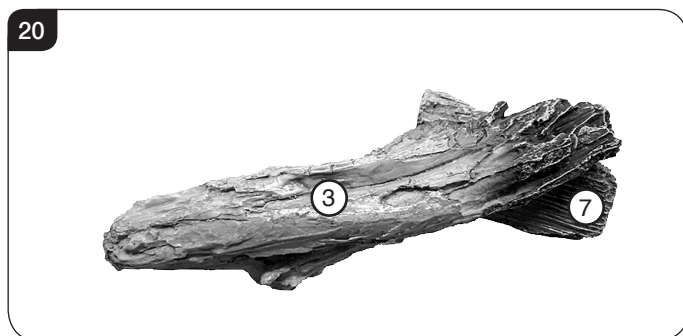
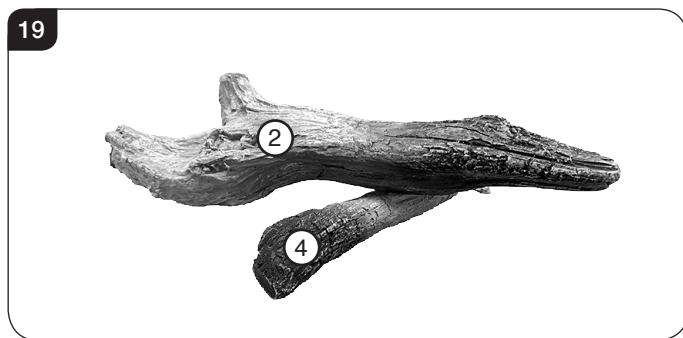
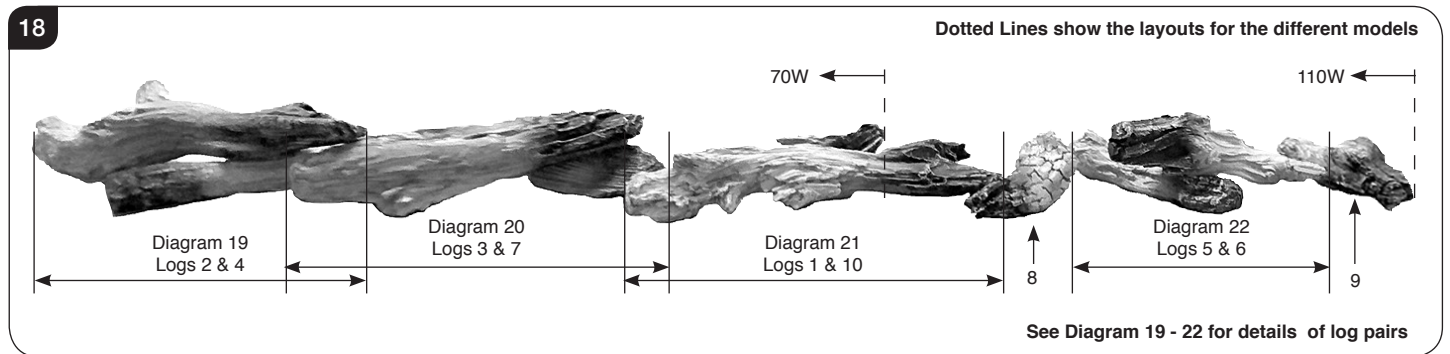


	Log Size	Skope 70W	Skope 110W
1	Large		✓
2	Large	✓	✓
3	Large	✓	✓
4	Medium	✓	✓
5	Medium	✓	✓
6	Medium	✓	✓
7	Small	✓	✓
8	Small		✓
9	Small		✓
10	Small		✓
	Total	1 Small 3 Medium 2 Large	4 Small 3 Medium 3 Large

# Installation Instructions

The log layouts below cover all models. Please refer to Diagram 17 and table on page 15 to identify the logs for specific models.

8b.4 The logs are positioned in pairs. Working from left to right, place the logs onto the stone fuel effect following the layouts below:



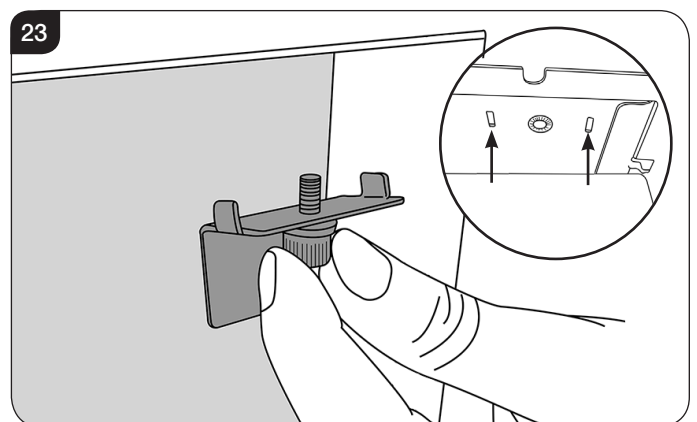
8b.5 If desired the Crystal Ice Glass Effect can be placed in between the log layout.

## 9. Completion of Assembly

9.1 Replace the glass following the instructions in reverse order.

**IMPORTANT: When replacing the glass the black tabs must be positioned at the top corners of the appliance.**

When replacing the clamps ensure that the tabs on the clamps locate in the slots on the appliance, see Diagram 23.



# Servicing Instructions

## 1. Fault Finding

### No illumination or uneven lighting:

- 1.1 First change the BS1362 13A fuse for one known to work. If the appliance still does not work, check the socket by plugging in a working appliance. If this too fails to operate, call in a competent electrician to check the socket.
- 1.2 One or more of the LED boards will need replacing. This must be undertaken by a suitably qualified person (see *Servicing Requirements*).

### Illumination but no heat:

- 1.3 The safety cut-out has operated to protect against overheating (see *User Instructions, Section 2*). Ensure the air inlet and outlet grilles are free of dust or any other obstruction.
- 1.4 The thermostat control may be set too low. Increase the setting by pressing the thermostat button on the remote control until the heater turns on.

### Remote control fails to work:

- 1.5 Check that the batteries are new and correctly fitted. Replace if necessary.
- 1.6 Ensure the remote is communicating with the fire.

If in doubt, the remote may have to be paired to the appliance or reset, see Sections 17 & 18.

## 2. How to wire a plug

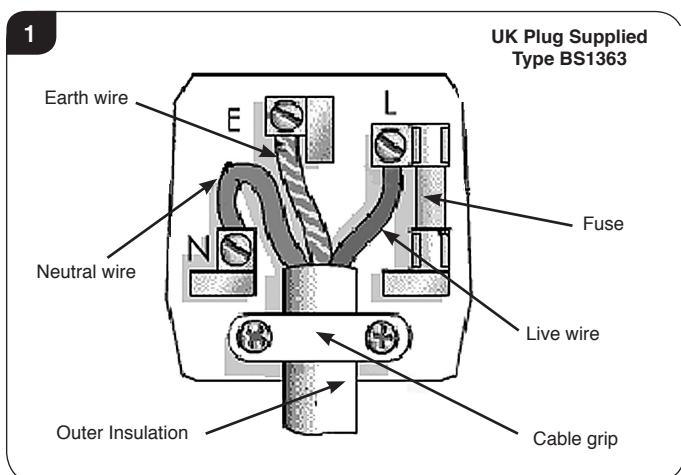
To change the plug supplied with this appliance, follow the instructions below. The instructions assume that the wire has been cut.




**WARNING – FAILURE TO CONNECT THE WIRES CORRECTLY COULD PUT PEOPLE AT RISK FROM ELECTRIC SHOCK OR FIRE. IF IN DOUBT CONSULT A QUALIFIED ELECTRICIAN.**

### UK Plug

Suitable for use in Cyprus, Malta, Ireland & Great Britain.

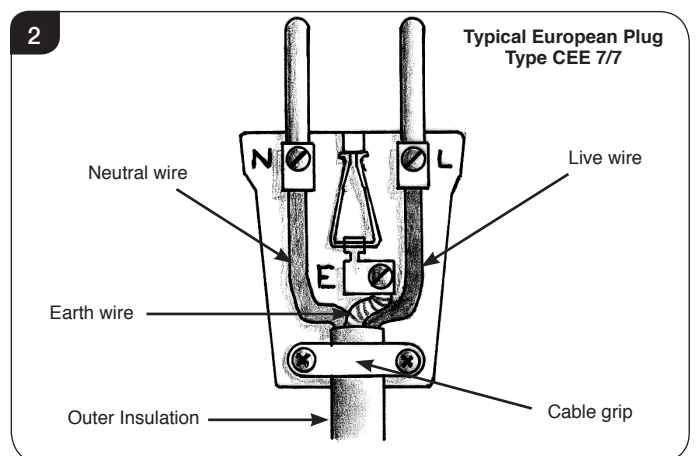


Live Wire	Brown	Terminal L / RED
Neutral Wire	Blue	Terminal N / BLACK
Earth Wire	Green & Yellow Stripes	Terminal E /  / GREEN or GREEN & YELLOW

**THIS APPLIANCE MUST BE EARTHED**

### European Plug

Suitable for use in Austria, Belgium, Bulgaria, Czech Republic, Denmark, Estonia, Finland, France, Greece, Hungary, Germany, Italy, Latvia, Lithuania, Luxembourg, Netherlands, Poland, Portugal, Romania, Slovakia, Slovenia, Spain & Sweden.



- 2.1 Dispose of the old plug safely. Ensure the new plug has the relevant approval marking and is not cracked or chipped.
- 2.2 Expose 4cm of the coloured wires and trim to the correct lengths so that they comfortably reach the correct terminals.
- 2.3 Ensure that the Earth wire has more slack than any of the other wires.
- 2.4 Remove some of the insulation to leave about 6mm (screw terminals) to 12mm (winding around screw) of exposed metal core on each wire, taking care not to damage or remove the metal strands.
- 2.5 Twist the strands of the wire together.
- 2.6 Loosen the screw heads above each terminal.
- 2.7 Push the metal wire into the hole beneath each screw head or, dependent on plug design, wind the metal wire around the screw.
- 2.8 Ensure that the insulation reaches right up to each terminal as illustrated and there are no loose strands of wire.
- 2.9 Ensure the cable sits correctly under the cable grip and tighten to secure, taking care that the connecting wires inside the plug are not strained.
- 2.10 Refer to *Technical Specification* for fuse rating and fit the appropriate fuse into the plug (UK Only).
- 2.11 Attach the plug cover.

# Servicing Instructions

## 3. Servicing Requirements



**DURING SERVICING OF THIS APPLIANCE IT MAY BE NECESSARY TO CUT CABLE TIES IN ORDER TO ACCESS AND REMOVE SOME OF THE PARTS. THESE MUST BE REPLACED WHEN REASSEMBLING THE APPLIANCE.**



**WARNING: The Effects Spindles are sharp, please use caution when servicing this appliance.**



**NOTE: Due to the number of models covered within this instruction manual the number of screws that need to be removed during servicing may vary.**

**THIS APPLIANCE MUST ONLY BE SERVICED BY A SUITABLY QUALIFIED PERSON.**

**BEFORE UNDERTAKING ANY WORK ON THE APPLIANCE: SWITCH OFF THE APPLIANCE AND ISOLATE THE POWER SUPPLY ENSURING THERE IS NO POWER TO THE APPLIANCE.**

3.1 Wait for at least 10 minutes until the appliance has cooled down.

### 3.2 Remote Handset Battery Replacement

Replace with 2 AAA batteries. Make sure the batteries are installed correctly in the remote control.

### 3.3 Maintenance of Motors

The motor used on the flame effect is pre-lubricated for extended bearing life and requires no further lubrication. However, periodic cleaning/vacuuming of the heater unit is recommended.

### 3.4 Resetting the Thermal Cutout Switch

The appliance is fitted with an Electronic Safety Control (E.S.). This is a safety device which switches off the fire if, the appliance overheats for any reason e.g. when covered.

If the heater stops operating whilst the flame effect continues normally, this indicates that the E.S. Control is in operation.

The E.S. Control can only be re-set after the appliance has cooled down.

To re-set the E.S.:

Switch off the appliance (Manual On/Off switch) and leave for approximately 120 minutes.

Remove any obstruction to the fan heater outlet or other internal parts.

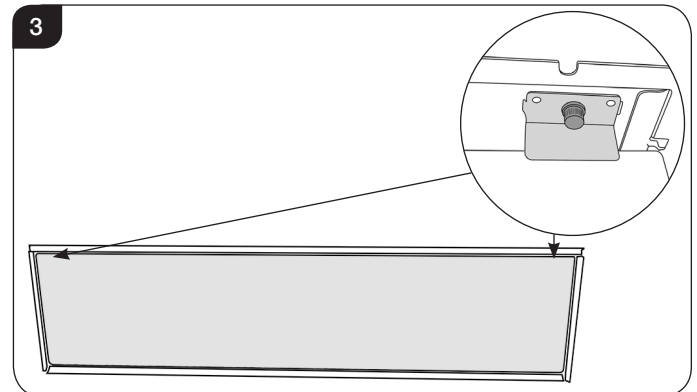
Switch on appliance and the E.S. Control will re-set. Ensure that the appliance is functioning correctly. If the E.S. Control operates again, the appliance should be checked by a competent Electrician.

## 4. Removing the Exterior Glass

4.1 To access the internal working parts of the Skope it will be necessary to remove the glass viewing panel.

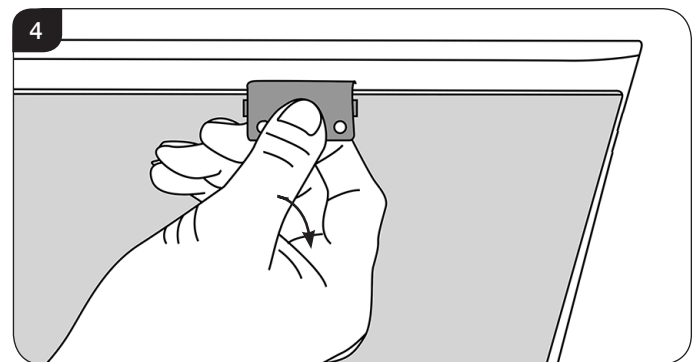
4.2 Isolate the power supply and ensure there is no power to the appliance.

4.3 There is a clamp at the top of each corner of the glass viewing panel that secure the glass in place, see Diagram 3.



4.4 Supporting the glass, loosen and remove the 2 clamps. These can be unscrewed using just finger tips.

4.5 Carefully tip the glass forward and lift out of the lower tray to remove from the appliance, see Diagram 4. The clamp can be used to aid removal.



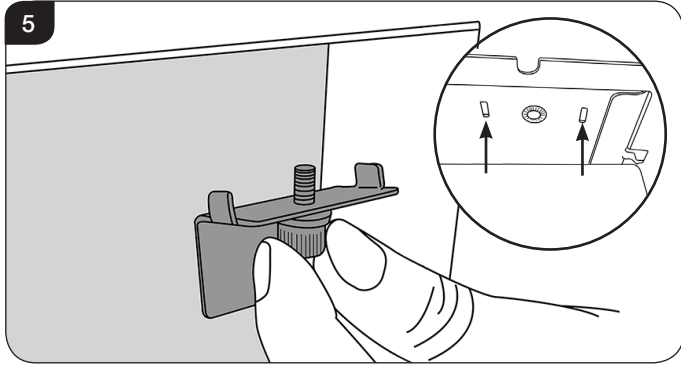
4.6 Carefully place the glass to one side to avoid damage.

# Servicing Instructions

4.7 Replace the glass following the instructions in reverse order.

**IMPORTANT: When replacing the glass the black tabs must be positioned at the top corners of the appliance.**

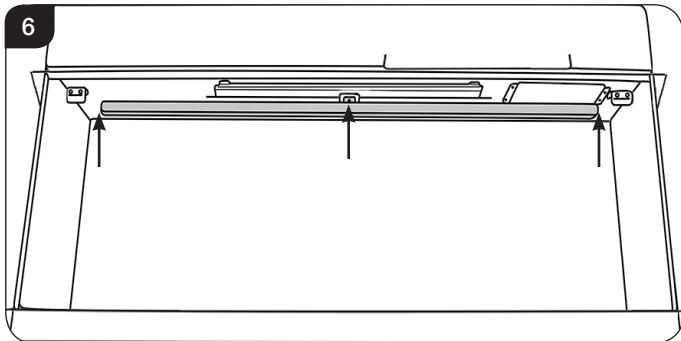
When replacing the clamps ensure that the tabs on the clamps locate in the slots on the appliance, see Diagram 5.



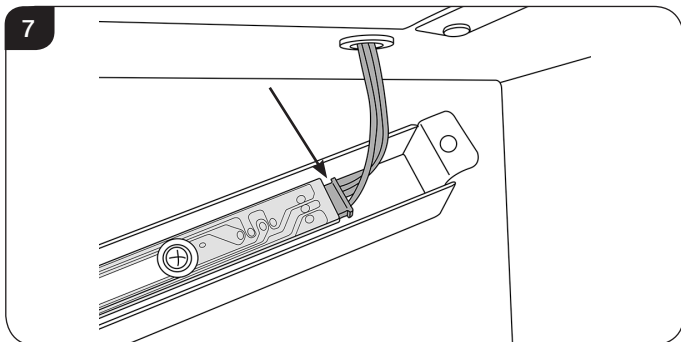
## 5. Removing the LED Light Bar

It will be necessary to remove the LED Light Bar in order to service the Power Unit and Heater Unit.

- 5.1 Follow Section 4 to access the LED Light Bar.
- 5.2 Supporting the LED Light Bar remove the 2 end screws then the central screw, see Diagram 6.



5.3 Carefully lower the LED Light Bar and disconnect the cable from the right hand side, see Diagram 7.



**NOTE: When replacing the LED Light Bar ensure that the central tab is positioned at the front of the firebox.**



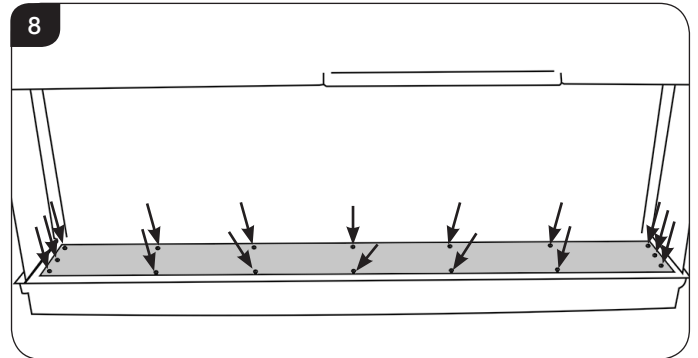
## 6. Removing the Fuel Bed

6.1 Follow Section 4 to access the fuel bed.

With the exterior glass removed carefully gather up the fuel effect and place to one side.

**To replace the fuel effect see Section 5 Installation Instructions for layout.**

6.2 Remove the screws from the fuel bed, see Diagram 8.



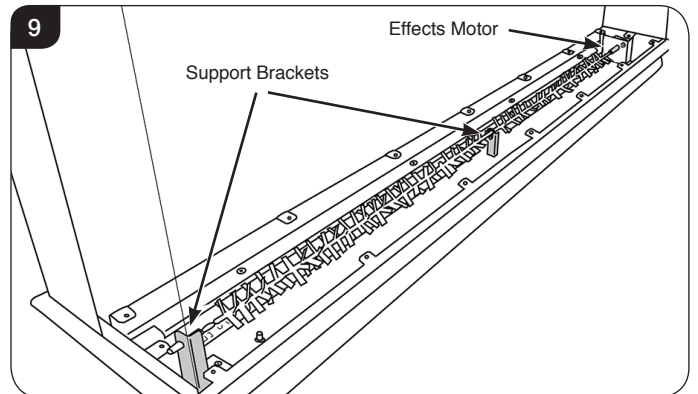
6.3 The flexible fuel bed can now be lifted out of the appliance.

**Note: When replacing the fuel bed ensure that the rough side faces up and that it locates under the lip at the front and sides of the firebox, see Diagram 12.**

## 7. Replacing the Fuel Bed Effects Spindle



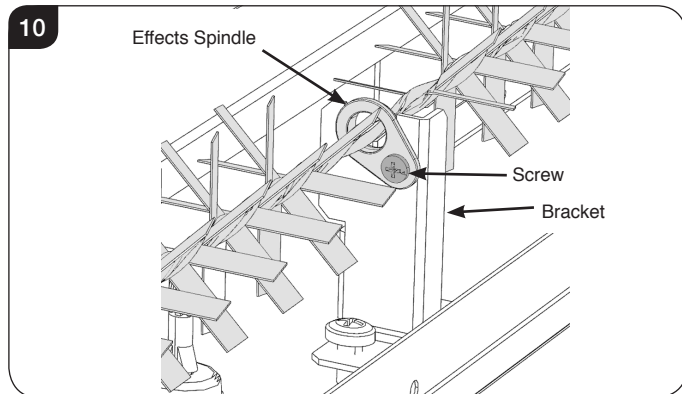
- 7.1 Follow Sections 4 & 6 to access the Fuel Bed Effects Spindle.
- 7.2 The Fuel Bed Effects Spindle is attached to the Fuel Bed Effects Motor and supported in 2 additional places, see Diagram 9.



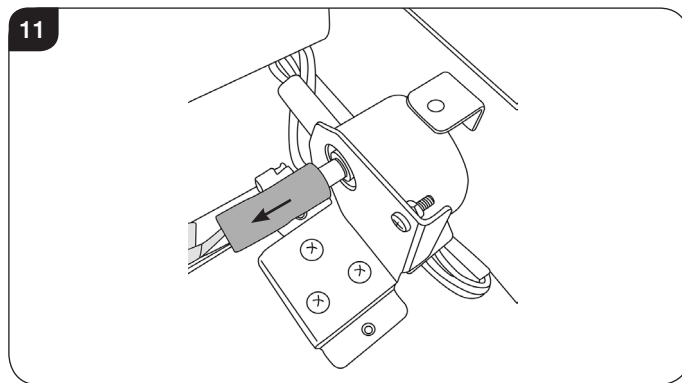


# Servicing Instructions

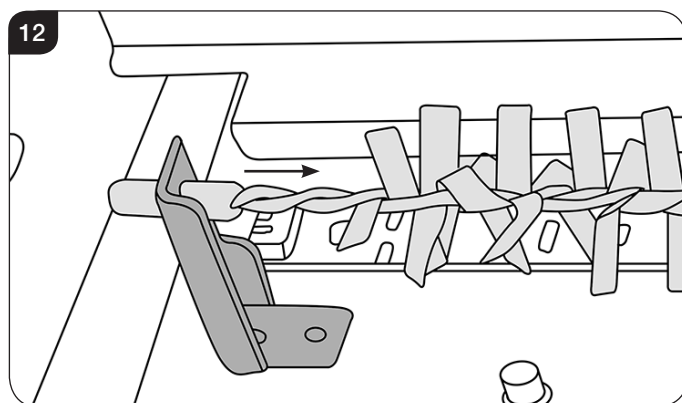
7.3 Remove the screw securing the Effects Spindle to the central bracket, see Diagram 10.



7.4 The Effects Spindle is attached to the Effects Motor by a rubber sleeve. Pull the rubber sleeve off the Effect Motor axle, see Diagram 11.



7.5 Withdraw the spindle from the left hand bracket, see Diagram 12.

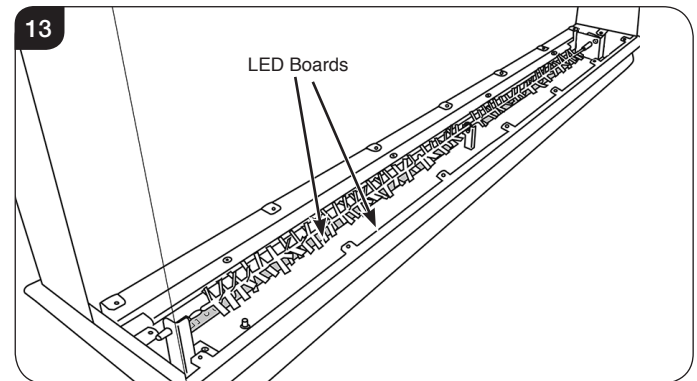


7.6 Replace in reverse order.

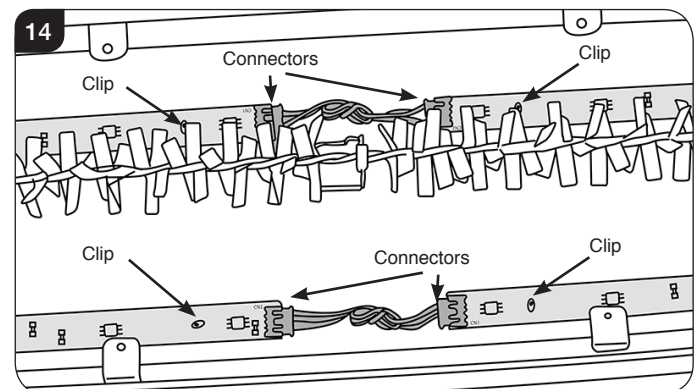
## 8. Replacing the Fuel Bed LED Boards

To remove the LED Boards it is NOT necessary to remove the Effects Spindle.

- 8.1 Follow Sections 4 & 6 to access the Fuel Bed LED Boards.
- 8.2 The LED boards are located at the bottom of the appliance, see Diagram 13.



8.3 The LED boards are coupled together at the end of each board and held in place by clips, see Diagram 14.

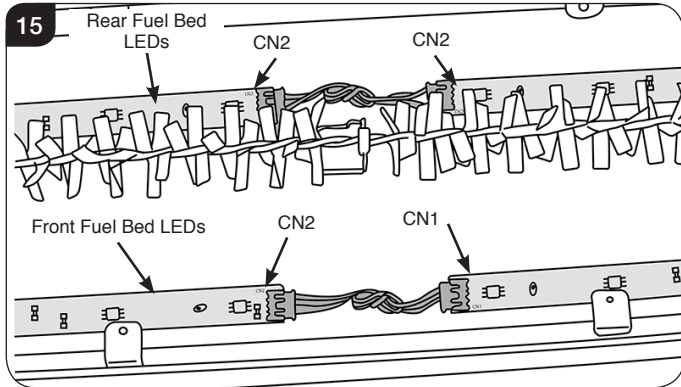


- 8.4 Unplug the correct LED board and use a pair of long nosed pliers to squeeze the clips and release.
- 8.5 Fitting a new board is the reverse of this process.

# Servicing Instructions

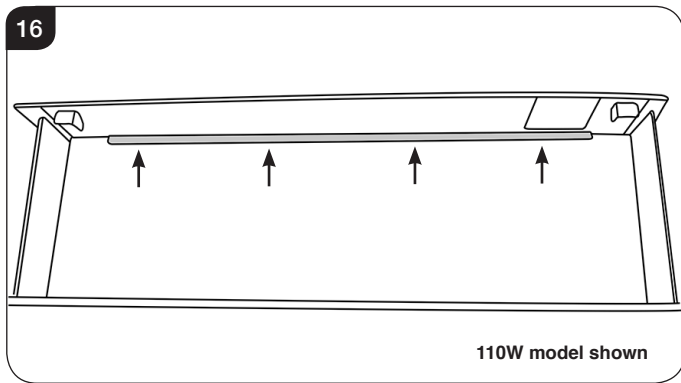
**IMPORTANT: Test the LEDs before refitting the Fuel Bed.**

The LED Boards must be connected correctly with the CN1 in and the CN2 out in the correct orientation, see Diagram 15.

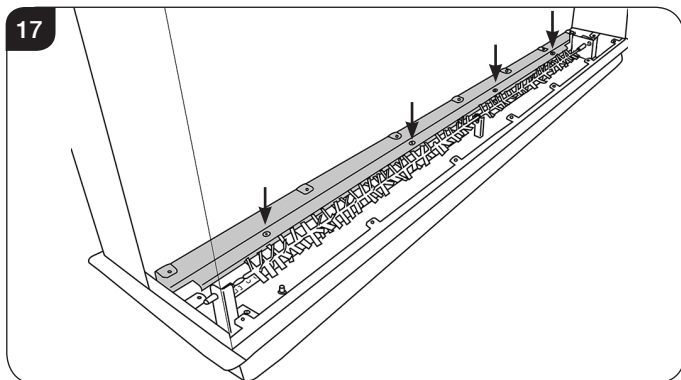


## 9. Removing the Interior Glass

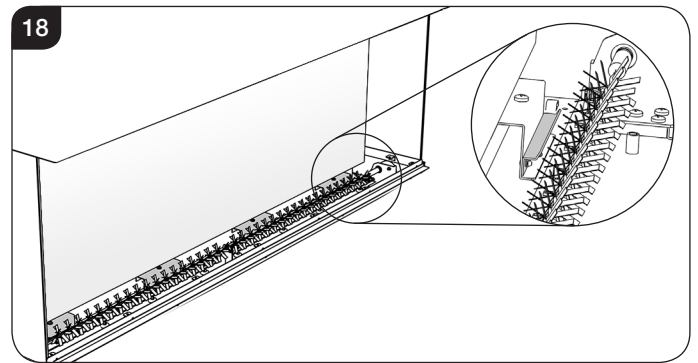
- 9.1 Follow Sections 4 & 6 to access the Interior Glass.
- 9.2 Remove the screws (4 screws 110W models/ 3 screws 70W models) to remove the top glass brackets, see Diagram 16.



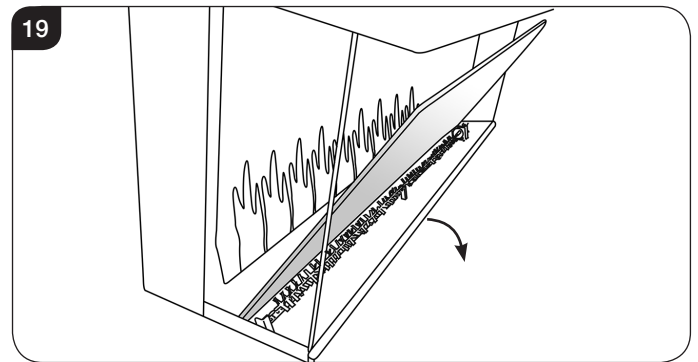
- 9.3 Remove the screws to remove the bottom bracket, see Diagram 17.



- 9.4 Lift the Interior Glass slightly and pull forward until it can be carefully lowered onto the shelf below, see Diagram 18.

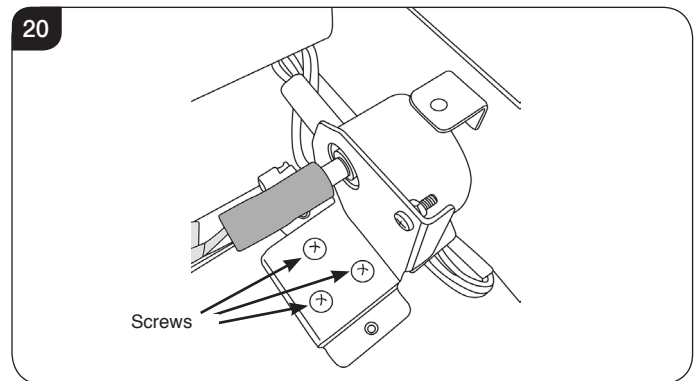


- 9.5 Carefully tilt the glass forward and lift to remove from the appliance, see Diagram 19.



- 9.6 Carefully place the glass to one side to avoid damage.
- 9.7 Replace in reverse order.

Note: When reinstalling the glass it may be necessary to move the Effects Motor Bracket forward to provide clearance. To do this remove the 3 screws securing the motor bracket from the base of the appliance and move the Effects Bracket forward slightly, see Diagram 20.

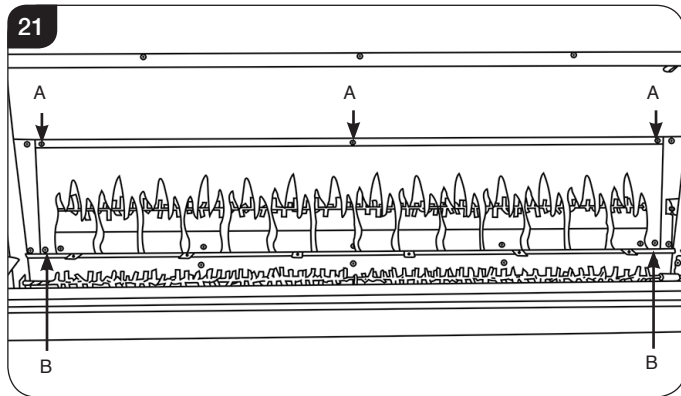


**IMPORTANT: When replacing the glass the side with the glossy finish must face towards the front of the appliance.**

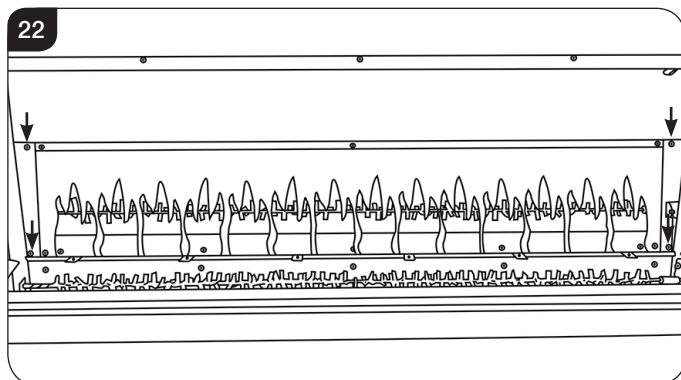
# Servicing Instructions

## 10. Removing the Effects Screen

- 10.1 Follow Sections 4, 8 & 9 to access the Effects Screen.
- 10.2 Remove the screws securing the top bracket, see Diagram 21 A. The number of screws may vary depending on model.



- 10.3 Supporting the Effects Screen remove the 2 screws from the bottom corners of the screen, see Diagram 22 B.
- 10.4 Remove the 4 screws securing the side brackets (2 on each side). The Screen can now be replaced.



- 10.5 Replace in reverse order.

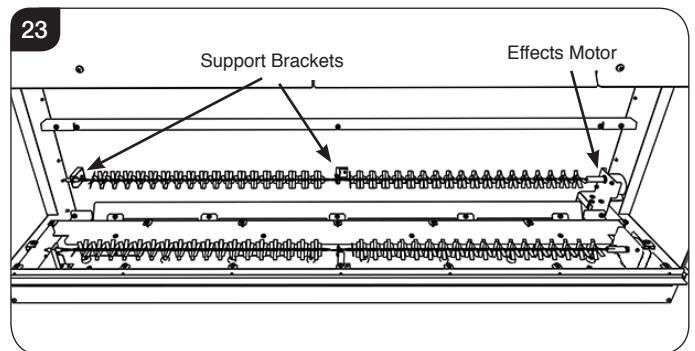
**IMPORTANT:** When replacing the Effects Screen the side with the glossy finish must face towards the front of the appliance with the flames in the correct orientation.

## 11. Replacing the Flame Effects Spindle

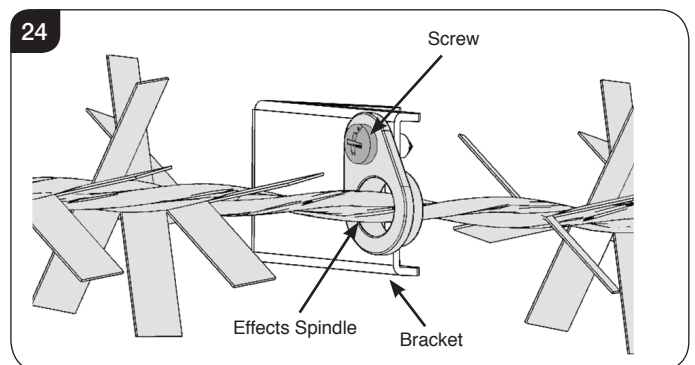


**WARNING:** The Effects Spindles are sharp, please use caution when servicing this appliance.

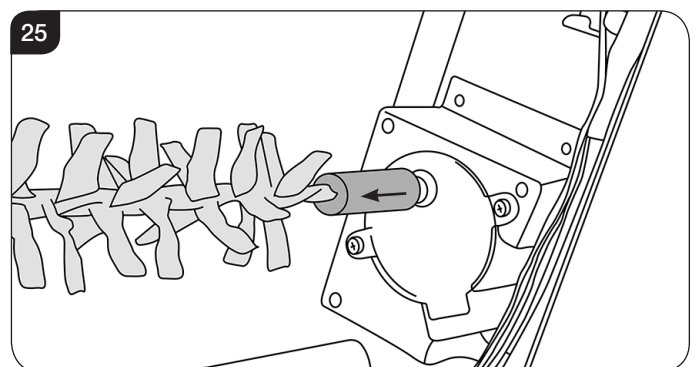
- 11.1 Follow Sections 4, 6, 9 & 10 to access the Flame Effects Spindle.
- 11.2 The Flame Effects Spindle is attached to the Flame Effects Motor and supported in 2 additional places, see Diagram 23.



- 11.3 Remove the screw securing the Effects Spindle to the central bracket, see Diagram 24.

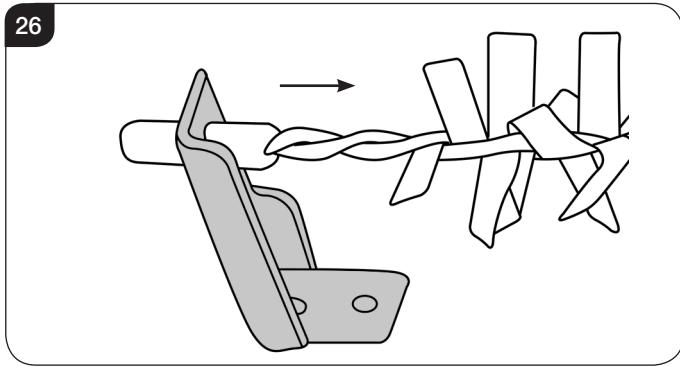


- 11.4 The Effects Spindle is attached to the Effects Motor by a rubber sleeve. Pull the rubber sleeve off the Effect Motor axle, see Diagram 25.



# Servicing Instructions

11.5 Withdraw the spindle from the left hand bracket, see Diagram 26.



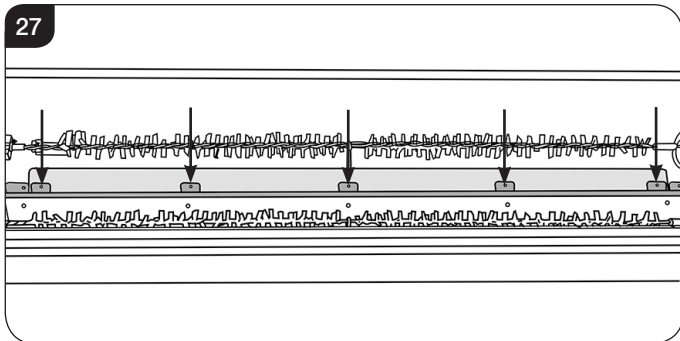
11.6 Replace in reverse order.

## 12. Replacing the Flame Effect LED Board

**WARNING:** The Effects Spindles are sharp, please use caution when servicing this appliance.

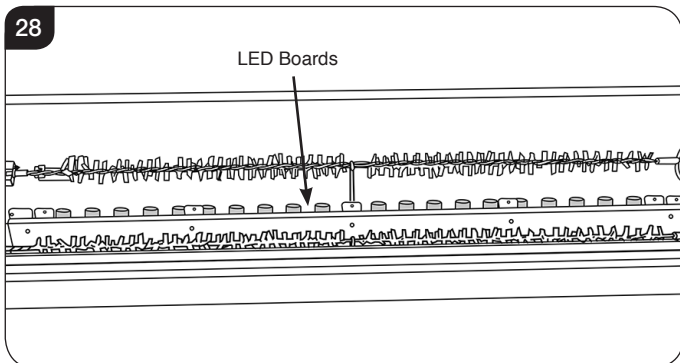
12.1 Follow Sections 4, 6, 9 & 10 to access the Flame Effects LED Board.

12.2 Remove the screws, working from the outside in, to remove the shield, see Diagram 27.

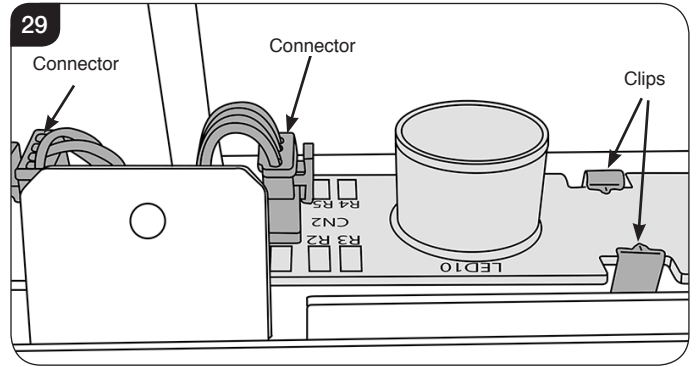


**NOTE:** When refitting the shield ensure that the lip curves down and towards the back. It will be necessary to lift the shield slightly to align the screws. Refit the screws from inside out.

12.3 The LED boards are located below the Effects Spindle, see Diagram 28.



12.4 The LED boards are coupled together at the end of each board and held in place by clips, see Diagram 29.



12.5 Unplug the correct LED board and pull the clips open to release.

12.6 Fitting a new board is the reverse of this process.

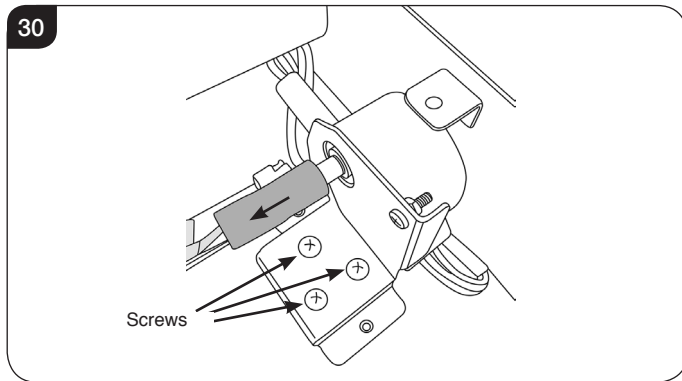
**IMPORTANT:** Test the LEDs before refitting the Fuel Bed.

The LED Boards must be connected correctly with the CN1 in and the CN2 out.

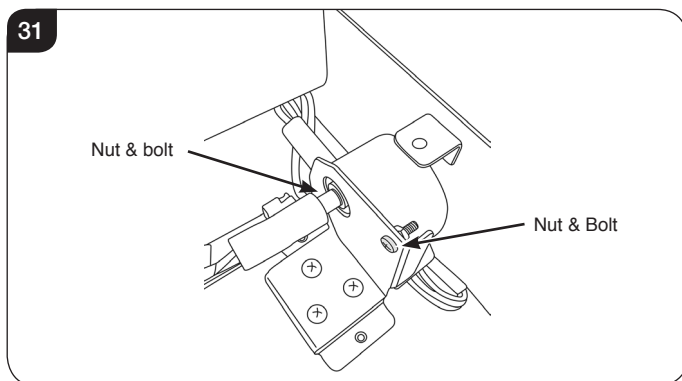
# Servicing Instructions

## 13. Replacing the Fuel Bed Motor

- 13.1 Follow Sections 4 & 6 to access the Fuel Bed Motor and its connections.
- 13.2 Remove the Effects Spindle by pulling the rubber sleeve off the Effects Motor axle, see Diagram 30.



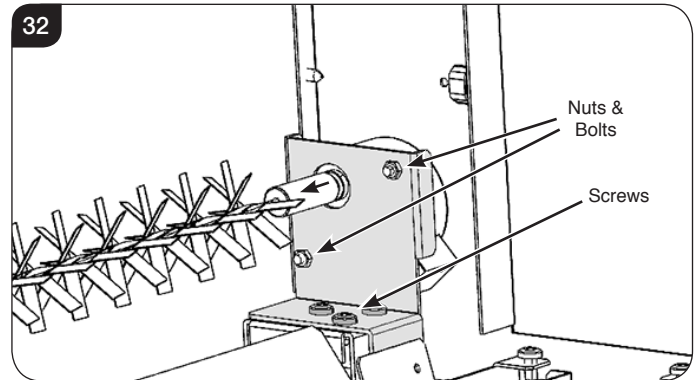
- 13.3 Remove the 3 screws to release the bracket from the base of the appliance, see Diagram 30.
- 13.4 Remove the nuts and bolts to release the motor unit from the bracket, see Diagram 31.



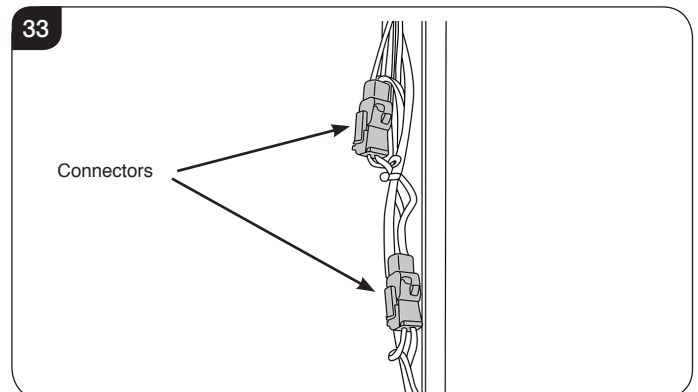
- 13.5 Gently pull the wires out from the aperture behind the motor.
- 13.6 Follow the wires to the corresponding connector and disconnect the motor unit by squeezing the clips on each side of the plug.
- 13.7 Replace in reverse order, ensuring the cable ties are replaced.

## 14. Replacing the Flame Effect Motor

- 14.1 Follow Sections 4, 6, 9 & 10 to access the Flame Effect Motor.
- 14.2 Remove the Effects Spindle by pulling the rubber sleeve off the Effects Motor axle, see Diagram 32.



- 14.3 Remove the 3 screws to release the Effects Motor bracket, see Diagram 32.
- 14.4 Remove the 2 nuts and bolts to release the motor unit from the bracket, see Diagram 32.
- 14.5 Follow the wires to the corresponding connector and disconnect the motor unit by squeezing the clips on each side of the plug, see Diagram 33.



- 14.6 Replace in reverse order, ensuring the cable ties are replaced.

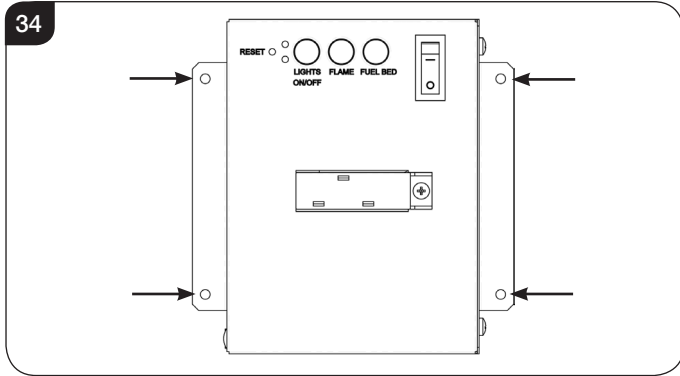


# Servicing Instructions

## 15. Replacing the Power Unit

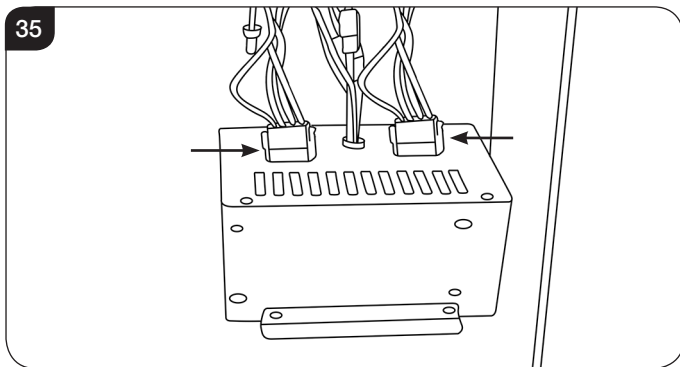
15.1 Follow Section 4 & 5 to access the Power Unit.

15.2 The Power Unit is held in place by 4 screws, see Diagram 34.



15.3 Support the Power Unit and remove the 4 screws.

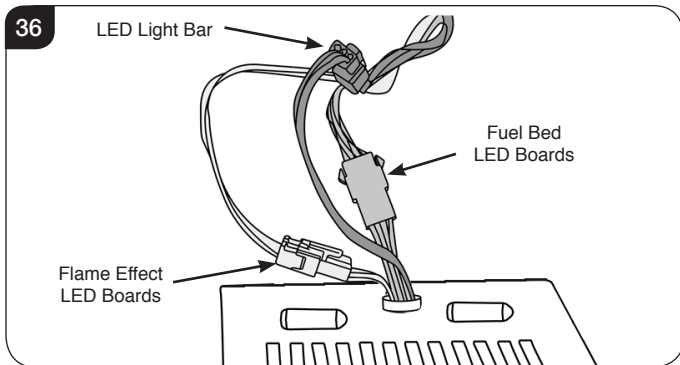
15.4 The Power Unit is attached to the appliance by several cables and wiring looms, see Diagram 35.



Noting the orientation of the leads:

15.5 Unclip the 2 wiring looms by squeezing each side of the connectors, see Diagram 35.

15.6 Disconnect the 2 LED Board connectors and the LED Light Bar connector to detach the Power Unit from the appliance, see Diagram 36.

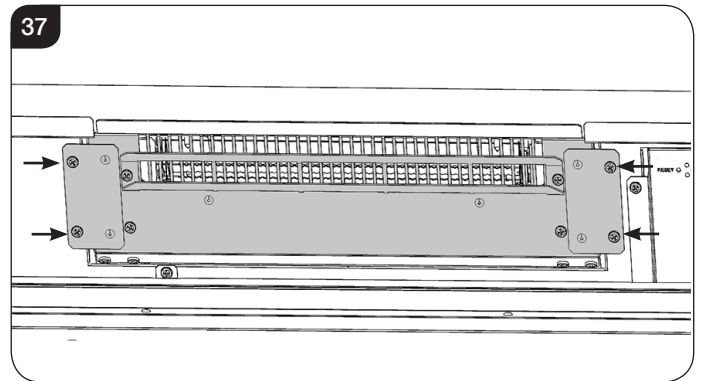


15.7 Replace in reverse order. Ensure all the leads are reconnected following the previous orientation.

## 16. Replacing the Heater Assembly

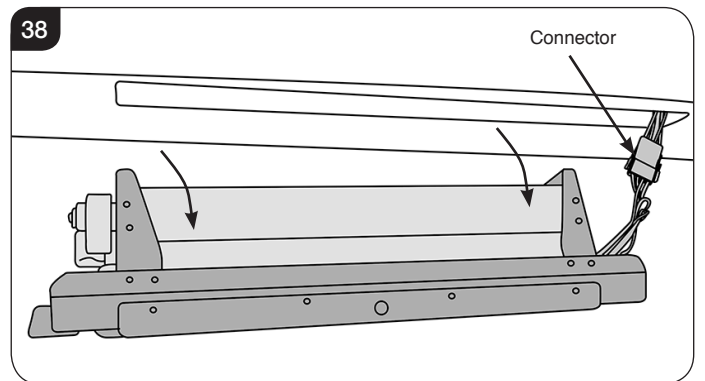
16.1 Follow Section 4 to access the Heater Assembly.

16.2 The Heater Assembly is held in place by 4 screws at the top of the firebox. Supporting the Heater Assembly remove the screws, see Diagram 37.



16.3 Carefully lower the Heater Assembly. This will require a slight tipping motion to clear the edge, see Diagram 38.

NOTE: The Heater Assembly has wires attached.



16.4 Unplug the connector to remove the Heater Assembly from the appliance, see Diagram 38.

16.5 Replace the Heater Assembly.

NOTE: When replacing the Heater Unit the back should be installed first, and a slight tipping motion will be required to clear the edge.



**PLEASE ENSURE NO WIRES ARE TRAPPED.**



# Servicing Instructions


## 17. Pairing the Remote Control to the Appliance

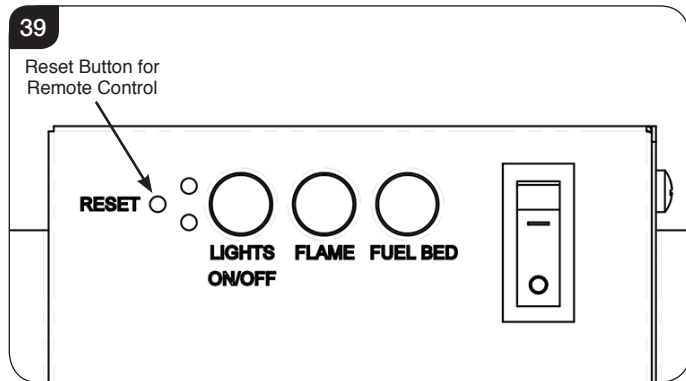
### Signal Code

The below operations should be carried out before coding when changing to a new remote or the unit cannot be controlled by the remote:

The reset button is located on the control panel located on the right-hand side of the viewing window, see Diagram 39.

- 17.1 Press the reset button for 3 seconds (a pen point may be needed) until 3 short beeps sound from the unit, release the button.

Within 10 seconds, press the  button on remote. The coding is finished when 1 long beep sounds from the unit.

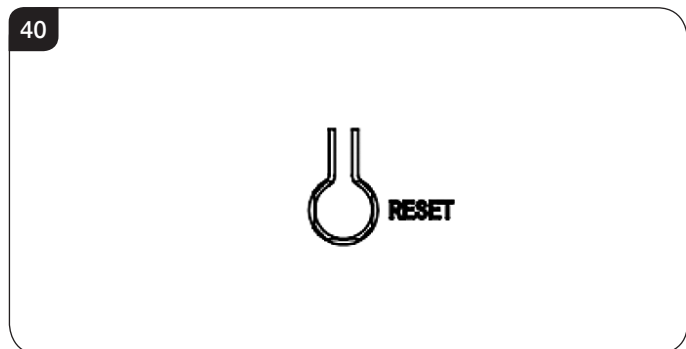


Resetting of the remote control is necessary if the appliance operates wrongly due to external interference signal and the remote control is not in use.

## 18. Resetting the Remote

Resetting the Remote may necessary if the appliance operates incorrectly under the signal from the Remote, or if the Remote does not operate correctly.

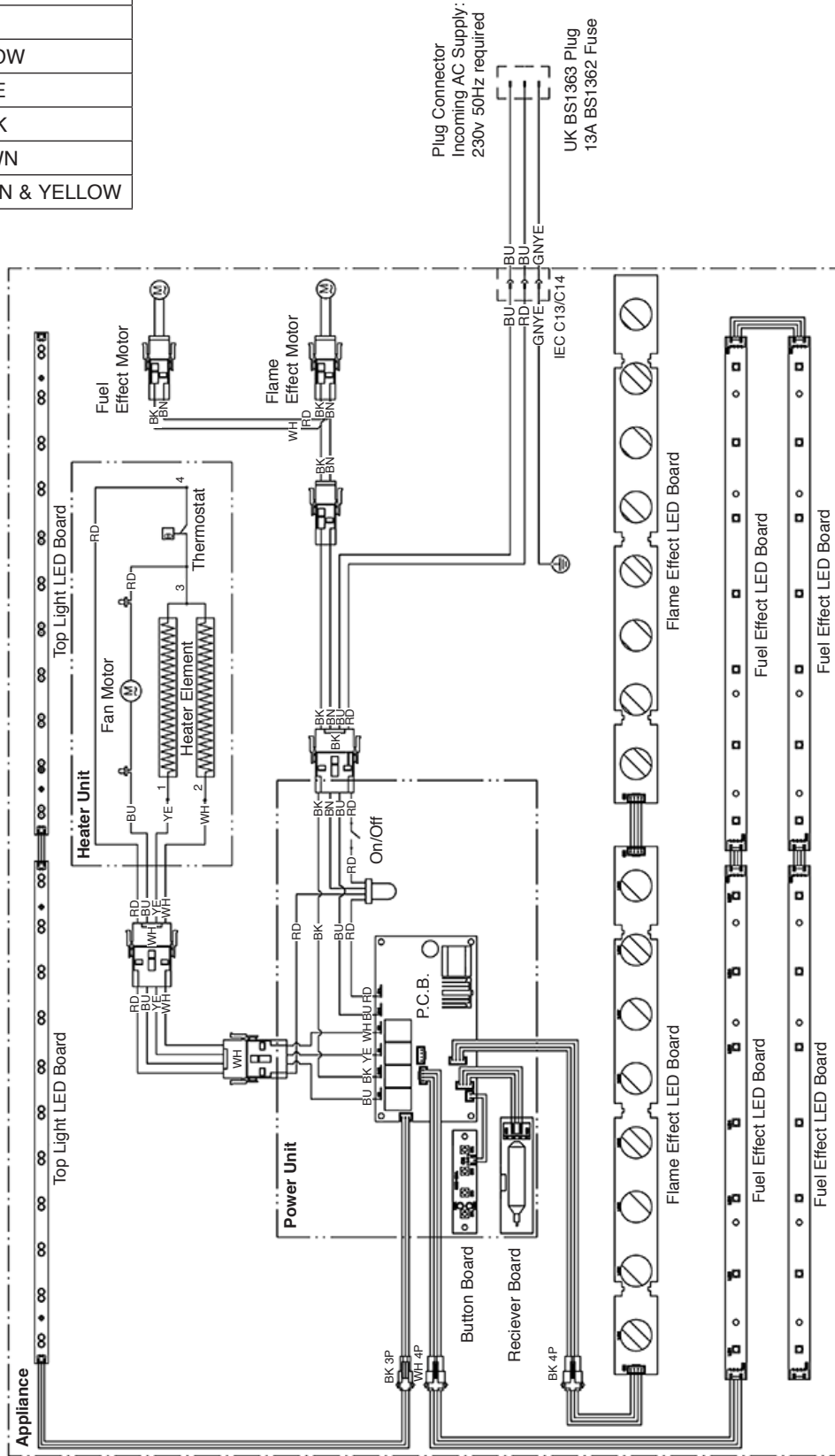
- 18.1 Open the back cover of the Remote.
- 18.2 Press the Reset button for 3 seconds and reset the coding, see Diagram 40.



# Wiring Diagrams

All Models

Colour Codes	
RD	RED
BU	BLUE
YE	YELLOW
WH	WHITE
BK	BLACK
BN	BROWN
GNYE	GREEN & YELLOW



The number of LED Boards varies depending on the model

# Packing Checklist

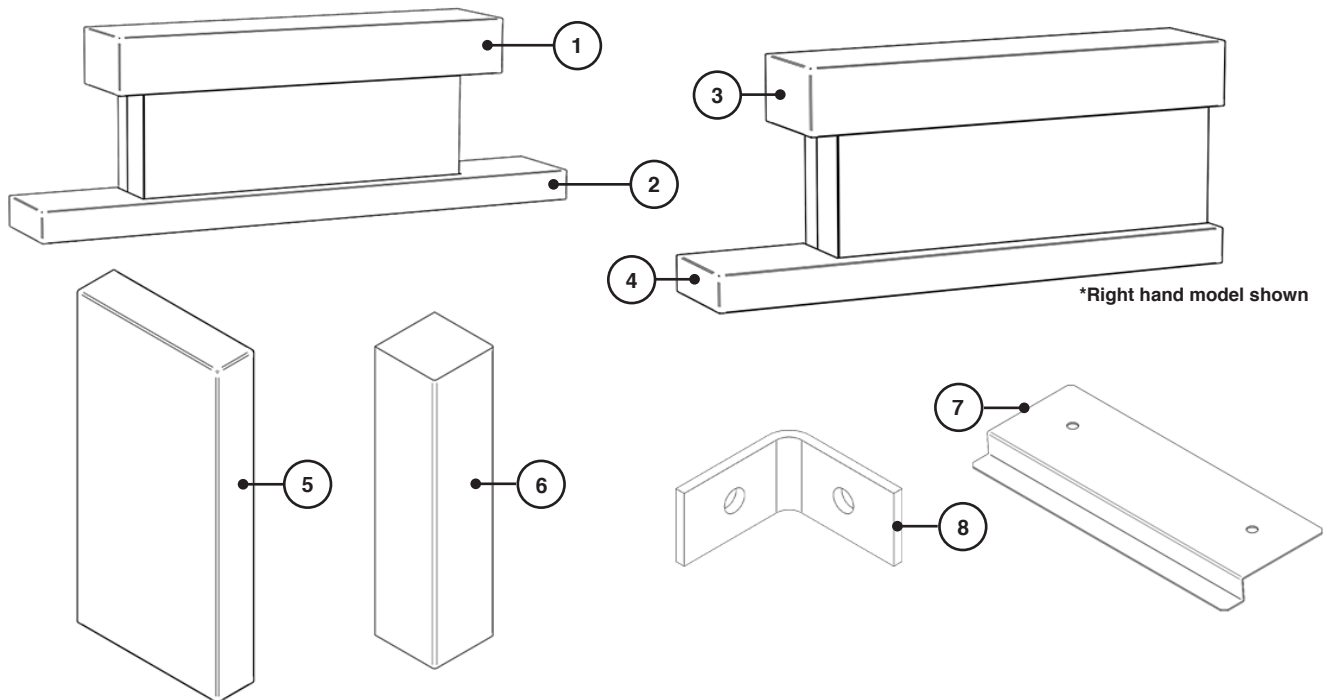
## Appliance Packing Checklist

### Fixing Kit containing:

Skope 70W/ Skope 110W		Skope 70W	Skope 110W
1 x Instruction Manual 1 x Remote Control 2 x AAA Batteries 2 x Lower Fixing Brackets 6 x Screws ST4x8 1 x Power Cable 1 x Cable Grip 1 x Corner Side Glass Retainer Bracket - Top 1 x Left Corner Side Glass Retainer Bracket - Bottom 1 x Right Corner Side Glass Retainer Bracket - Bottom		10 x Plastic Wall Plugs 10 x ST5 x 40 Screws	14 x Plastic Wall Plugs 14 x ST5 x 40 Screws
<b>Box 1</b>	1 x Log Set		
<b>Box 2</b>	Grey Pebble Effect Clear Pebble Effect Small Glass-Effect Crystals Large Glass-Effect Crystals		

## Trento Modular Suite Packing Checklist (Optional Extra)

1

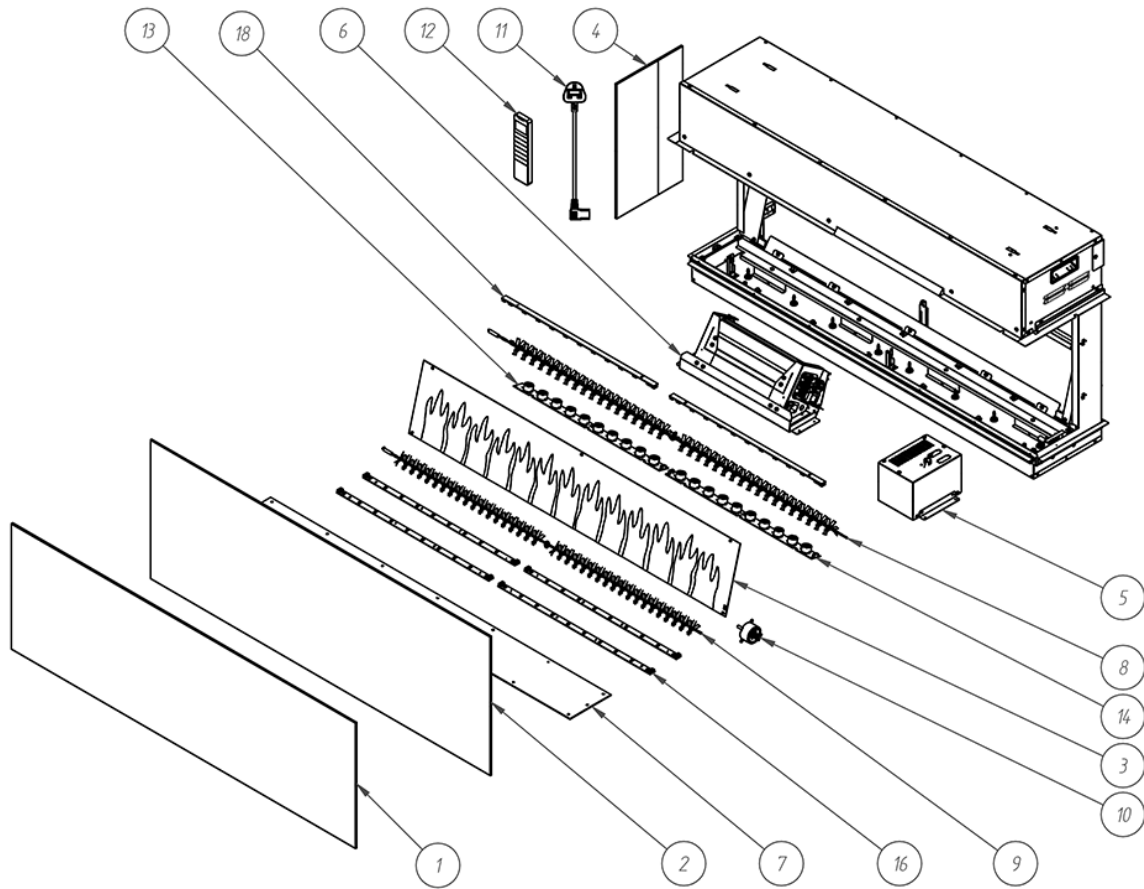


The Trento Modular Suite kit will contain some of the following depending on the kit purchased.

Ref.	Description	Qty.
1	Upper Surround - Centre Installation	1
2	Lower Surround - Centre Installation	1
3	Upper Surround - Offset Installation (LH / RH)	1
4	Lower Surround - Offset Installation (LH / RH)	1
5	End Cap (Optional Extra)	1
6	Side Infill (Optional Extra)	1
7	Upper Surround End Cap Bracket	1
8	Lower Surround End Cap Bracket	1
	Screws: Centre Installation (See right table)	6
	Screws: Offset Installation (See right table)	5

Screws	Size	Qty.
Upper Surround - Centre Installation Screw	M6 x 16mm	4
Upper Surround - Offset Installation Screw	M6 x 16mm	3
Lower Surround - Offset & Centre Installation Screw	M5 x 35mm	2
End Cap Installation Screw	M5 x 12mm	3
End Cap Installation Screw	M5 x 12mm	1

# Spare Parts List



No.	Component	70W			110W		
		Part Code	LED Board Identifier	Quantity	Part Code	LED Board Identifier	Quantity
1	Front Glass Panel	CE1889		1	CE1890		1
2	Display Screen	CE1895		1	CE1896		1
3	Flame Effect Screen	PL0193		1	PL0194		1
4	Side Panel	CE1901		2	CE1901		2
5	Power Unit	EL0710		1	EL0710		1
6	Heater Unit	EL0712		1	EL0712		1
7	Fuel Bed	PL0199		1	PL0200		1
8	Flame Effect Spindle	EL0698		1	EL0699		1
9	Fuel Effect Spindle	EL0704		1	EL0705		1
10	Spindle Motor	EL0713		2	EL0713		2
11	Power Cable	EL0714		1	EL0714		1
12	Remote Handset C	EL0678		1	EL0678		1
13	Flame Effect LED Board 1	EL0723	RC07-180B	1	EL0720	RC07-167B	1
14	Flame Effect LED Board 2	-		-	EL0721	RC07-191A	1
15	Flame Effect LED Board 3	-		-	-		-
16	Fuel Bed LED Board 1	EL0724	RC07-181A	4	EL0725	RC07-169A	4
17	Fuel Bed LED Board 2	-		-	-		-
18	Downlight LED Board 1	EL0717	RC07-179A	2	EL0716	RC07-168A	2
19	Downlight LED Board 1	-		-	-		-
20	Magnetic Front Trim	-		-	-		-



Due to continual technical improvements please check online or with your Gazco retailer for the most up to date parts lists.

Only use Genuine Gazco spares when servicing your appliance.

All of our essential spare parts and consumable items are available to purchase from our webshop at [www.gazcospares.com](http://www.gazcospares.com).

# Information Requirement - Electric Heaters

## Information Requirement for Electric Local Space Heaters

Model		Scope 70W	Scope 110W
Heat Output	Nominal Heat Output - $P_{nom}$	2.0kW	2.0kW
	Minimum Heat Output - $P_{min}$	1.0kW	1.0kW
	Maximum Continuous Heat Output - $P_{max, c}$	2.0kW	2.0kW

Auxiliary Electricity Consumption	At Nominal Heat Output - $e_{l_{max}}$	12.5W	12.5W
	At Minimum Heat Output - $e_{l_{min}}$	12.0W	12.0W
	In Standby Mode - $e_{l_{sb}}$	0.49W	0.49W

### Type of heat input, for electric storage local space heaters only

Manual heat charge control, with integrated thermostat	No	No
Manual heat charge control with room and/or outdoor temperature feedback	No	No
Electronic heat charge control with room and/or outdoor temperature feedback	No	No
Fan assisted heat output	No	No

### Type of heat output/room temperature control

Single stage heat output and no room temperature control	No	No
Two or more manual stages, no room temperature control	No	No
With mechanic thermostat room temperature control	No	No
With electronic room temperature control	No	No
Electronic room temperature control plus day timer	No	No
Electronic room temperature control plus week timer	Yes	Yes

### Other control options (multiple selections possible)

Room temperature control, with presence detection	No	No
Room temperature control, with open window detection	Yes	Yes
With distance control option	No	No
With adaptive start control	Yes	Yes
With working time limitation	No	No
With black bulb sensor	No	No

<b>Contact:</b>	Gazco Ltd, Osprey Road, Sowton Industrial Estate, Exeter, EX2 7JG
-----------------	---

**Gazco Limited, Osprey Road, Sowton Industrial Estate, Exeter, Devon, England EX2 7JG**  
**Technical Customer Services (01392) 261950 Fax: (01392) 261951**  
**E-mail: [technicalservices@gazco.com](mailto:technicalservices@gazco.com)**

A member of the Stovax Group

E & O E