



*Fire Your Imagination*

# Riva2 750HL

**Inset Convector Fire - Balanced Flue**

with Thermostatic Remote Control



**IMPORTANT:**  
FOR EASY TO FOLLOW,  
STEP BY STEP VIDEO  
INSTRUCTIONS ON HOW TO  
OPERATE AND MAINTAIN YOUR  
GAZCO REMOTE SYSTEM GO TO  
[WWW.GAZCO.TV](http://WWW.GAZCO.TV)

## Instructions for Use, Installation & Servicing

For use in GB & IE (Great Britain & Republic of Ireland).

### IMPORTANT

**THE OUTER CASING, FRONT AND GLASS PANEL BECOME EXTREMELY HOT DURING OPERATION AND WILL RESULT IN SERIOUS INJURY AND BURNS IF TOUCHED. IT IS THEREFORE RECOMMENDED THAT A FIREGUARD COMPLYING WITH BS 8423 (LATEST EDITION) IS USED IN THE PRESENCE OF YOUNG CHILDREN, THE ELDERLY OR INFIRM.**

This product contains a Heat resistant glass panel. This panel should be checked during Installation and at each servicing interval. If any damage is observed on the front face of the glass panel (scratches, scores, cracks or other surface defects), the glass panel must be replaced and the appliance must not be used until a replacement is installed. Under no circumstances should the appliance be used if any damage is observed, the glass panel is removed or broken.

It is essential that ALL of the screws that retain the glass frame are replaced and tightened correctly. Under no circumstances should the appliance be operated if any of these screws are loose or missing.

These Instructions must be left with the appliance for future reference and for consultation when servicing the appliance. Please make the customer aware of the correct operation of the appliance before leaving these instructions with them.

The commissioning sheet found on Page 3 of this Instruction manual must be completed by the Installer prior to leaving the premises.

# Contents

## Riva2 750HL - Balanced Flue

Covering the following models:

Riva2 750HL					
	Black Reeded Lining	Vermiculite Lining	Brick Effect Lining	Ledgestone Lining	Black Glass Lining
Nat Gas	134-033	134-047	134-059	134-076	134-084
LPG	134-421	134-439	134-466	134-480	134-495

**Appliance Commissioning Checklist .....3**

**User Instructions .....4**

**Installation Instructions .....13**

Technical Specifications .....13

Site Requirements .....15

Installation .....21

Commissioning .....33

**Servicing Instructions.....34**

Fault Finding.....34

How to Replace Parts.....37

Basic Spare Parts List .....43

Service Records .....45

Information Requirement - Gas Heaters.....46



If you have purchased your stove or fire from an authorised stockist within our Expert Retailer Network, then automatically your product will carry a 2 year warranty as standard. The 2 year warranty can be further extended to a total warranty period of 5 years by registering your Gazco Stove or Fireplace within one month of the latter of the purchase date or installation date. Accordingly, the start date for the warranty period is the date of purchase. During the registration process, the Expert Retailer details will be required for your Extended Warranty to be activated. Any product purchased outside of our Expert Retailer Network will carry a standard 12 month, non-extendable warranty.

It is a condition of the Extended Warranty that the installation complies with the relevant Building Regulations and is carried out by a suitably trained and qualified individual (GasSafe in the UK or equivalent in other countries) with the certificate of installation and the Commissioning Report on Page 3 completed and retained by the end user.

Full terms and conditions are detailed in the Warranty Statement on the Gazco website [www.gazco.com](http://www.gazco.com). In the event of any conflict of information the wording on the website shall prevail.

Important Note: Should any problems be experienced with your product, claims must first be submitted to the Expert Retailer where the appliance was purchased from who will offer immediate assistance or contact Gazco on your behalf.



**It is a requirement of the Building Regulations 2010 that the installation of this appliance is notified to the Local Authority. It is the responsibility of the GasSafe registered installer to carry out this notification to the Local Authority via the GasSafe register Competent Persons Scheme in England and Wales (different rules apply in Scotland and Northern Ireland).**

**When the installation has been notified, GasSafe will send a Building Regulations Compliance Certificate to you containing details of the work completed. Please ensure that the person responsible for the installation of this appliance completes this notification and records it in the Appliance Commissioning Checklist on page 3.**

**IT IS YOUR RESPONSIBILITY TO COMPLY WITH THE BUILDING REGULATIONS AND BE ABLE TO PRODUCE THIS CERTIFICATE SHOULD IT BE REQUIRED IN THE FUTURE.**

# Appliance Commissioning Checklist

To assist us in any guarantee claim please complete the following information:-

## IMPORTANT NOTICE

Explain the operation of the appliance to the end user, hand the completed instructions to them for safe keeping, as the information will be required when making any guaranteed claims.

FLUE CHECK	PASS	FAIL
1. Flue Is correct for appliance		
2. Flue flow Test N/A		
3. Spillage Test N/A		
GAS CHECK		
1. Gas soundness & let by test		
2. Standing gas pressure	mb	
3. Appliance working pressure (on High Setting) NB All other gas appliances must be operating on full	mb	
4. Gas rate	m <sup>3</sup> /h	
5. Does Ventilation meet appliance requirements N/A		
SAFETY CHECK		
1. Glass checked to ensure no damage, scratches, scores or cracks		
2. Glass frame secured correctly and all screws replaced		
BUILDING CONTROL NOTIFICATION	YES	NO
1. Installer notified GasSafe/Local Authority of installation via Competent Persons Scheme?		

## RETAILER AND INSTALLER INFORMATION

<b>Retailer</b> .....	<b>Installation Company</b> .....
.....	.....
.....	.....
<b>Contact No.</b> .....	<b>Engineer</b> .....
<b>Date of Purchase</b> .....	<b>Contact No.</b> .....
<b>Model No.</b> .....	<b>GasSafe Reg No.</b> .....
<b>Serial No.</b> .....	<b>Date of Installation</b> .....
<b>Gas Type</b> .....	

# User Instructions

## Welcome

*Congratulations on purchasing your Riva2 fire, if installed correctly Gazco hope it will give you many years of warmth and pleasure for which it was designed.*

*The purpose of this manual is to familiarise you with your appliance, and give guidelines for its installation, operation and maintenance. If, after reading, you need further information, please do not hesitate to contact your Gazco retailer.*

## WARNING



**In the event of a gas escape or if you can smell gas, please take the following steps:**

- **Immediately turn off the gas supply at the meter/emergency control valve**
- **Extinguish all sources of ignition**
- **Do not smoke**
- **Do not operate any electrical light or power switches (On or Off)**
- **Ventilate the building(s) by opening doors and windows**
- **Ensure access to the premises can be made**

**Please report the incident immediately to the National Gas Emergency Service Call Centre on 0800 111 999 (England, Scotland and Wales) , 0800 002 001 (N. Ireland) or in the case of LPG, the gas supplier whose details can be found on the bulk storage vessel or cylinder.**

**The gas supply must not be used until remedial action has been taken to correct the defect and the installation has been recommissioned by a competent person.**

## 1. General

- 1.1 Installation and servicing must only be carried out by a competent person whose name appears on the GasSafe register. To ensure the engineer is registered with GasSafe they should possess an ID Card carrying the following logo:



- 1.2 In all correspondence, please quote the appliance type and serial number, which can be found on the data badge located on a plate attached to the lower slotted trim or on the Commissioning Checklist on Page 3.

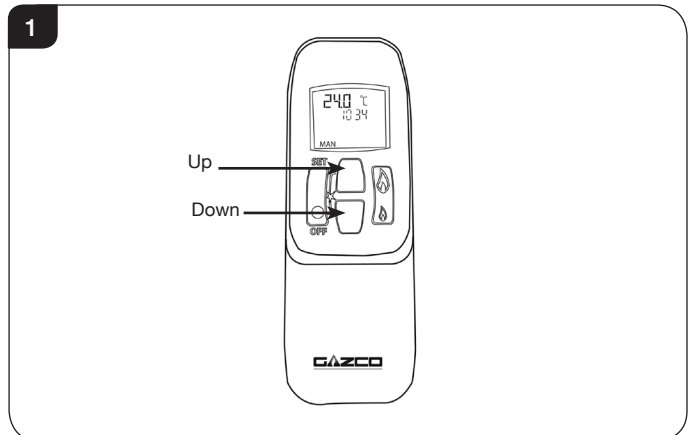
- 1.3 Do not place curtains above the appliance: You must have 300mm (1') clearance between the appliance and any curtains at either side.
- 1.4 No furnishings or other objects should be placed within 1 metre of the front of the appliance.
- 1.5 If a shelf is fitted, a distance of 400mm above the appliance is required.
- 1.6 If any cracks appear in the glass panel do not use the appliance until the panel has been replaced.
- 1.7 If, for any reason, the flue has to be removed from the appliance, the seals must be replaced in the inner spigot.
- 1.8 Do not obstruct the flue terminal in any way, i.e. by planting flowers, trees, shrubs etc. in the near vicinity, or by leaning objects against the terminal guard.
- 1.9 Do not put any objects on the terminal guard; it will lose its shape.
- 1.10 If you use a garden sprinkler, do not let quantities of water into the flue terminal.
- 1.11 This product is guaranteed for 5 years from the date of installation, as set out in the terms and conditions of sale between Gazco and your local Gazco retailer. Please consult with your local Gazco retailer if you have any questions. In all correspondence always quote the Model Number and Serial Number.



**IMPORTANT: NEVER position a television or screen above this appliance.**

## 2. Operating the Appliance

The appliance is operated by thermostatic remote control.



- 2.1 **Turning the appliance On**  
Your remote can control the gas fire from pilot ignition through to shut down.

# User Instructions

To turn the fire on press the OFF button and the UP button simultaneously. You hear several short signals.

**The pilot and main burner ignite and the remote is now in Manual Mode:**

**i** **IMPORTANT: YELLOW FLAMES TYPICALLY APPEAR WHEN THE APPLIANCE HAS REACHED NORMAL OPERATING TEMPERATURE. THIS CAN TAKE UP TO 30 MINUTES.**

**!** **WARNING: IF THE APPLIANCE FAILS TO LIGHT OR BECOMES EXTINGUISHED IN USE, WAIT 3 MINUTES BEFORE ATTEMPTING TO RELIGHT.**

2.2 There are 3 different modes available for controlling and operating the appliance:

1. Manual Mode
2. Temp Mode (Automatic)
3. Timer Mode (Automatic)

2.3 In **MANUAL MODE** you can:

- turn on the main burner using the UP button.
- regulate the flame from high to low and back.
- turn off the burner leaving just the pilot burning.

In **TEMP MODE (Automatic)** you can:

- set the room temperature so the thermostat in the remote automatically maintains that temperature.

In **TIMER MODE (Automatic)** the fire:

- turns on and off according to the set time periods.
- automatically regulates the room temperature during the set periods.

**i** **NOTE: When operating the fire in Temp or Timer mode, the pilot remains lit and the fire then automatically switches on at programmed times to bring the room to the set temperature whether or not you are in the room. NEVER LEAVE ANY COMBUSTIBLE MATERIALS WITHIN 1 METRE OF THE FRONT OF THE APPLIANCE.**

## Switching Between Modes

2.4 Press the SET button to change to Temperature Mode. Press again to change to Timer Mode. Keep pressing to run through all operating modes. These are:

- MAN
- DAY TEMP
- NIGHT TEMP
- TIMER
- and back to MAN

**NOTE: MAN mode can also be reached by pressing either the UP or DOWN button.**

## Manual Mode

2.5 Press the OFF button and the UP button simultaneously. You hear several clicks and audible beeps as the fire begins the ignition process, (up to 30 seconds).

### Turning the appliance Off:

Press the OFF button to turn the appliance off.

FOR SAFETY, YOU MUST WAIT 30 SECONDS BEFORE LIGHTING THE FIRE AGAIN.

### Increasing the Flame Height:

Press the UP button once to increase flame height one stage. Press and hold the UP button to increase to maximum.

### Decreasing the Flame Height:

Press the DOWN button once to decrease flame height one stage. Press and hold the DOWN button to decrease to minimum. At the lowest point the fire goes to 'Standby Mode' (Only Pilot lit).

**i** **NOTE: While pressing a button a symbol indicating transmission appears on the display. The receiver confirms transmission with a sound signal.**

## Temp Mode (Automatic)

2.6 The display shows the current **room** temperature.

To increase or decrease the fire's output:

Press the SET button to select either the DAY TEMP or the NIGHT TEMP mode by briefly pressing the SET button.

Hold the SET button until the TEMP display flashes and then let go.

Set the desired temperature with the UP and DOWN arrows. (Minimum temperature 5C, maximum 40C or 40F to 99F when Fahrenheit is the preferred option).

Press the OFF button to stop the display flashing or wait to return to TEMP mode.

**i** **NOTE: If you set a temperature that is beneath the current room temperature, the fire automatically switches to PILOT (Stand by).**

**If you would like the Night temperature control to turn off then decrease the temperature until [--] is displayed.**

# User Instructions

## Timer Mode (Automatic)

2.7 There are two programmable settings you can make over a 24 hour period, P1 and P2. These are normally used to provide an early morning and evening setting for each working week:

- P1 + ● = Start Timed Setting 1
- P1 + ⤴ = End of Timed Setting 1
- P2 + ● = Start Timed Setting 2
- P2 + ⤴ = End of Timed Setting 2

### 2.8 P1 - Program 1 for a Timed Setting

Press the SET button until the TIMER mode is displayed.

Hold the SET button. The displays flashes the current time for P1. **While the time displayed is flashing you can alter the hours and minutes set.**

To set the time your fire first lights, change P1 ●.

- Press the UP button to alter the hour.
- Press the DOWN button to alter the minutes in 10 minute increments.

Press SET again to move to the end setting for P1 ⤴. This is the time your appliance first shuts down:

- Press the UP button to alter the hour.
- Press the DOWN button to alter the minutes.

### 2.9 P2 - Program 2 for a Timed Setting

Use the same steps outlined in 2.8 to change the setting for P2.

If you have already set P1 and want to alter the setting for P2 only:

- Press the SET button until TIMER mode is displayed.
- Hold the SET button **until the display flashes the current time** for P1 ●.
- Press the SET button once again to scroll past the settings for P1 ● and P1.

With the time still flashing:

- Press the UP button to alter the hour.
- Press the DOWN button to alter the minutes.

Once all four times are set press the OFF button.

2.10 To view existing settings:

- Select Timer Mode.
- Press and briefly hold the SET button you see the start time for P1.
- Repeat the above step for the start and end of each program.

### Low Battery

“BATT” is displayed on the remote when its batteries need replacement.

### Setting the time

Simultaneously press the up and down buttons.

Press the up button to set the hour and the down button to set the minutes.

Press OFF to return to the manual mode or simply wait.

### Setting the °C/24 Hour or °F/12 Hour clock

Press OFF and the down arrow until the display changes from °C/24 hour clock to °F/12 hour clock and vice versa.



**If the remote is removed, lost or damaged, signals transmitted to the receiver cease. Your appliance will go to standby (pilot) mode after 6 hours.**

## Troubleshooting



**IMPORTANT: In the unlikely event that the handset fails to communicate correctly with the appliance it may be necessary to turn off the gas supply at the isolation valve until any problems can be resolved.**

**The gas meter and isolation valve can be located outside in a meter box, under the stairs, beneath the kitchen sink or in the garage. Whilst this list is not exhaustive, it is important to be able to identify the location of the valve in case of any gas emergency.**

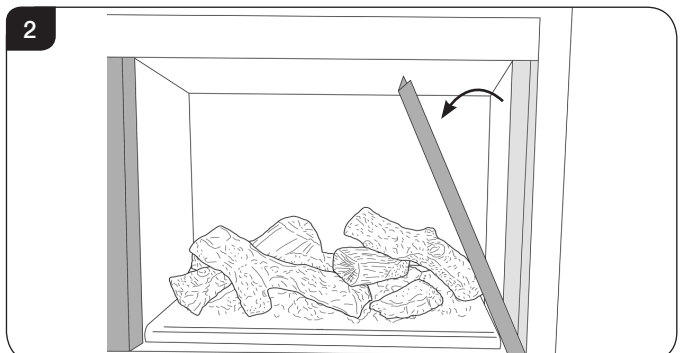
**To turn off the gas supply, simply turn the handle so the lever is at 90 degrees to the upright gas pipe.**

**If you smell gas, open doors and windows and never operate any electrical switches. Immediately call the Gas Emergency Services on 0800 111 999.**

## 3. Changing the Appliance Batteries

The appliance batteries are located on a bracket attached to the lower slotted trim.

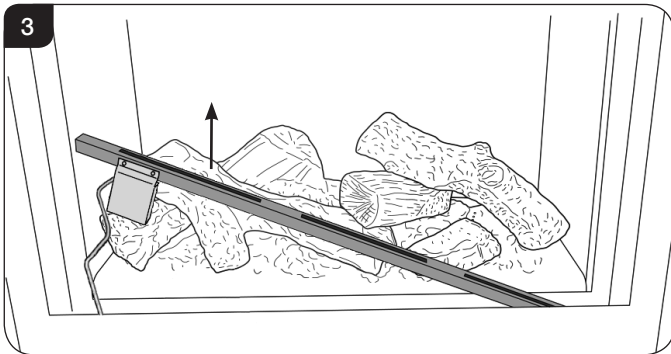
- 3.1 Make sure the appliance and surrounds are cool before removing the batteries.
- 3.2 Remove the 2 side trims, see Diagram 2. These are held on by magnets.



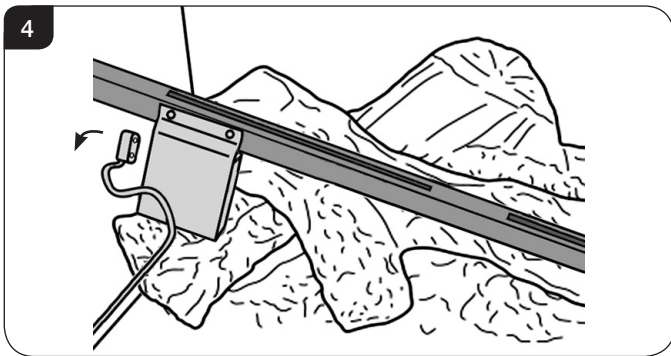


# User Instructions

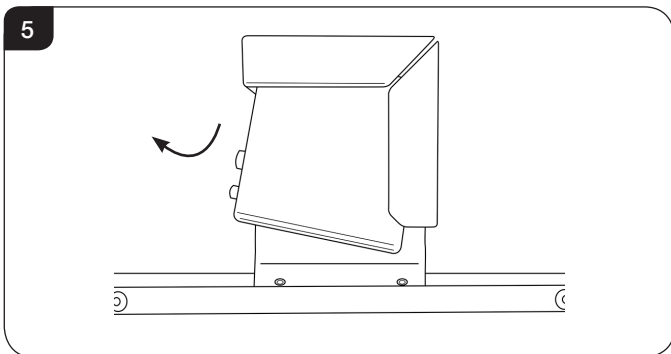
- 3.3 Lift out the bottom slotted trim, see Diagram 3.  
Note the orientation of the metal shield for reassembly.



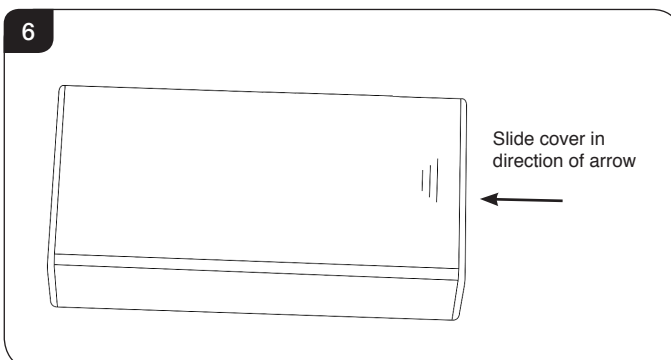
- 3.4 Disconnect the battery lead from the battery pack, see Diagram 4.



- 3.5 Remove the battery pack from the bracket, see Diagram 5.



- 3.6 Remove the cover by sliding off in the direction of the arrow as shown in Diagram 6.



- 3.7 Correctly position the four new AA size batteries into the battery holder.

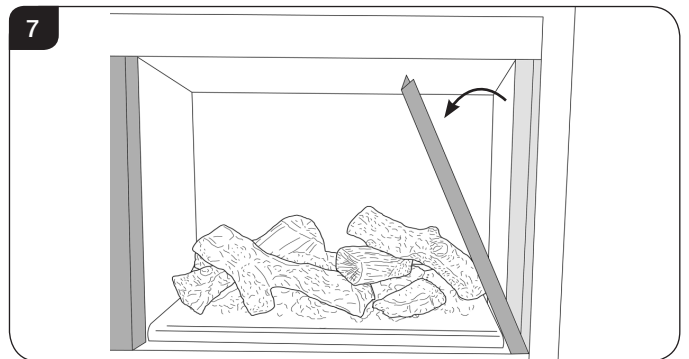
**i** It is essential to use high quality batteries (Duracell or equivalent) when replacing batteries in the handset or control box.

- 3.8 Re-assemble in reverse order.

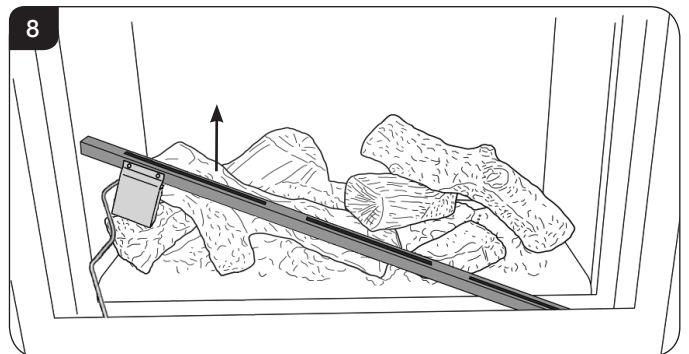
**!** PLEASE ENSURE NO WIRES ARE TRAPPED BEFORE REPLACING THE LOWER SLOTTED TRIM. THE LEADS ARE EASILY DAMAGED.

## 4. Cleaning the Appliance

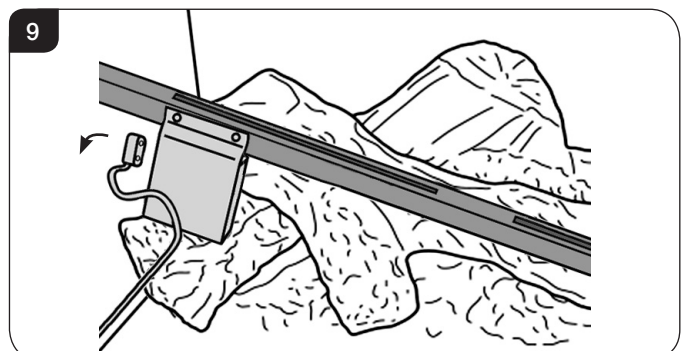
- 4.1 Make sure the appliance and surrounds are cool before cleaning.
- 4.2 Remove the glass frame by removing the 2 side trims, see Diagram 7. These are held on by magnets.



- 4.3 Lift out the bottom slotted trim, see Diagram 8.  
Note the orientation of the metal shield for reassembly.

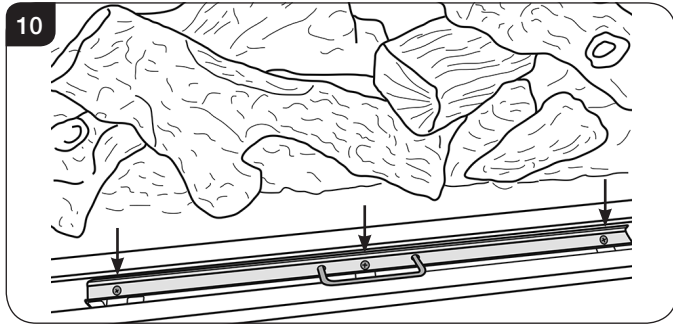


- 4.4 Disconnect the battery lead from the battery pack attached to the lower slotted trim, see Diagram 9.

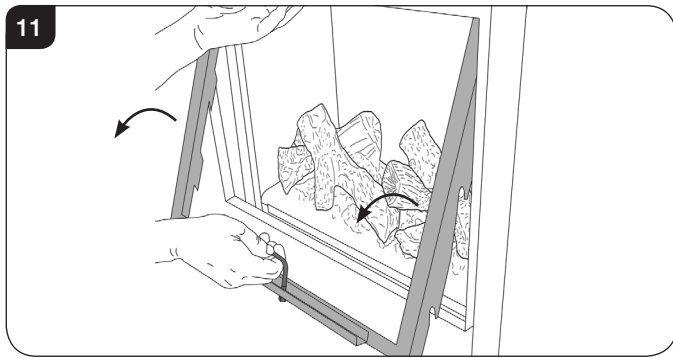


# User Instructions

- 4.5 Remove the 3 screws at the base of the door, see Diagram 10.



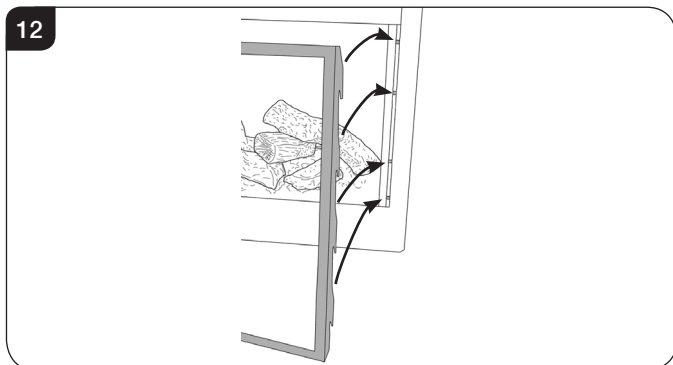
- 4.6 Pull up the handle at the front, see Diagram 10.  
4.7 Whilst supporting the top, lift the door using the handle, up and over the lower edge, see Diagram 11.



- 4.8 Remove the logs, and place them on a dry, clean surface.  
4.9 The logs should not require cleaning. Do not use a vacuum cleaner or brush to clean the logs, any large pieces of debris may be removed by hand.  
4.10 Ensure any debris is removed from the burner ports.  
4.11 Use a damp cloth to clean the outer casing of the appliance.  
4.12 To clean the glass surface use a non abrasive glass cleaner and soft cloth.  
4.13 The glass frame must be refitted to the appliance following cleaning or servicing.

**Ensure that the rope seal on the back of the glass frame is intact.**

- 4.14 To replace the glass frame, position so the hooks on the back of the frame fit over the side pins, see Diagram 12.



- 4.15 Push the handle down.  
4.16 Replace the screws. As the screws are tightened the glass frame is pulled down against the hooks and forms a seal. **Replace ALL of the securing screws ensuring that a screw is present in all fixing slots.**



**UNDER NO CIRCUMSTANCES SHOULD THE APPLIANCE BE USED IF ANY OF THE GLASS FRAME RETAINING SCREWS ARE LOOSE OR MISSING.**

- 4.17 Connect the battery lead to the battery pack attached to the lower slotted trim.



**PLEASE ENSURE NO WIRES ARE TRAPPED BEFORE REPLACING THE LOWER SLOTTED TRIM. THE LEADS ARE EASILY DAMAGED.**

- 4.18 Replace the lower trim, ensuring that the angled metal shield is sloping towards the door frame.  
4.19 Replace the 2 magnetic side trims.

**NEVER OPERATE THE APPLIANCE WHEN THE GLASS PANEL IS REMOVED OR BROKEN.**

- 4.20 Replace the decorative front by referring to the separate instructions supplied with the front.

**NOTE: ENSURE THAT THE LOGS ARE POSITIONED CORRECTLY, SEE SECTION 6. ONLY USE THE CORRECT AMOUNT OF LOGS AS SPECIFIED IN THE DIAGRAMS.**

## 5. Liners

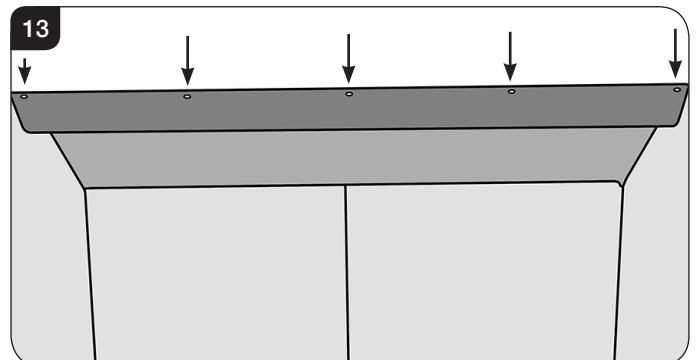
- 5.1 There are several lining options available for the Riva2 750:

Vermiculite  
Black Reeded  
Brick Effect  
Ledgestone  
Black Glass Linings - see separate instructions (PR2214)

### Vermiculite/ Black Reeded

- 5.2 The top baffle must be removed to access the lining set.

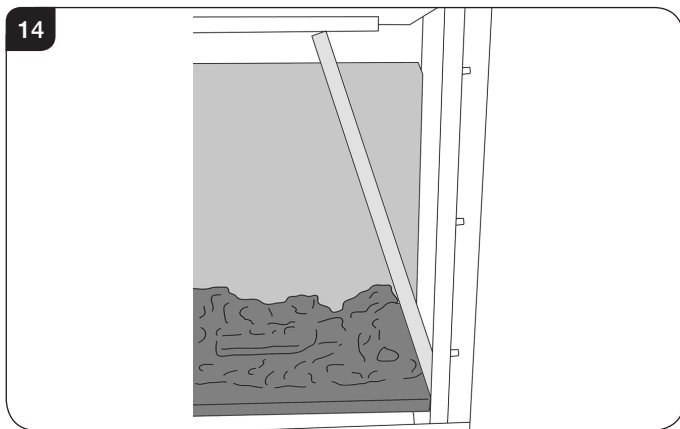
Remove the 5 screws holding the baffle in place, see Diagram 13.



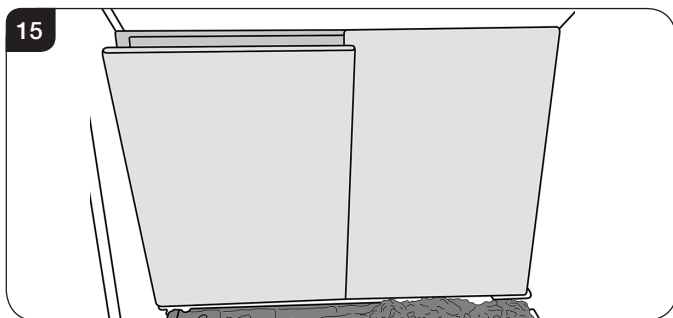


# User Instructions

- 5.3 To remove the right hand liner tilt the top inwards towards the centre of the firebox, lift and angle through the front of the appliance, see Diagram 14.



- 5.4 Repeat with the other side.
- 5.5 The side liners support the 2 piece back liner. Ensure the back liners are supported when the sides are removed.
- 5.6 Tip the back liners forward into the firebox and angle to remove, see Diagram 15.

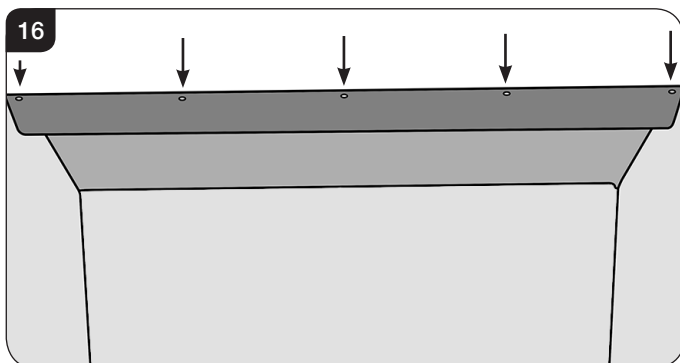


- 5.7 Re-assemble in reverse order.

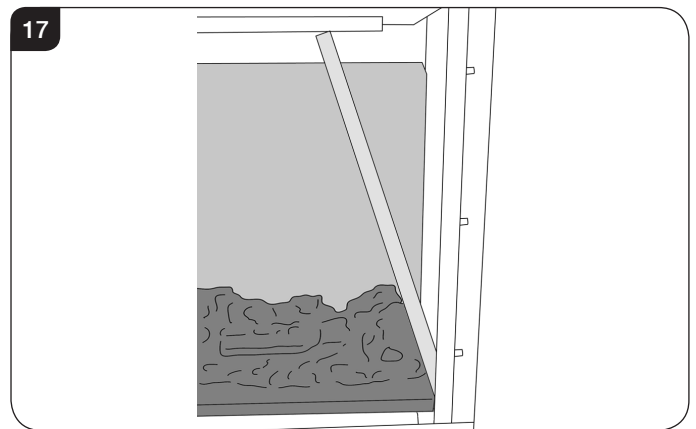
## Brick Effect/ Ledgestone

- 5.8 The top baffle must be removed to access the lining set.

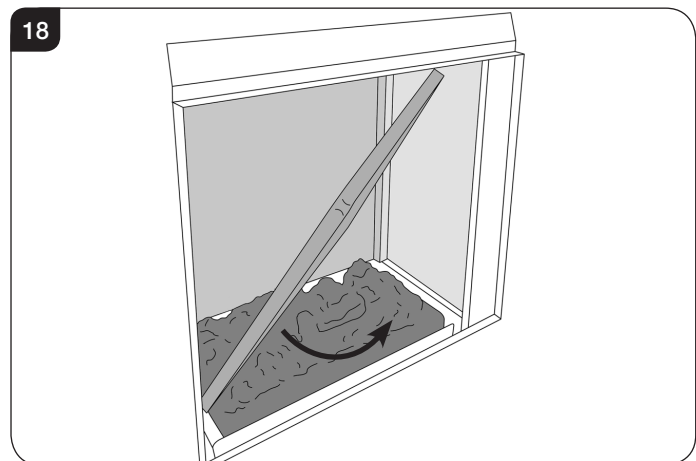
Remove the 5 screws holding the baffle in place, see Diagram 16.



- 5.9 To remove the right hand liner tilt the top inwards towards the centre of the firebox, lift and angle through the front of the appliance, see Diagram 17.



- 5.10 Repeat with the other side.
- 5.11 Lean the top of the panel forward, lift and twist slightly to allow removal through the front of the appliance, see Diagram 18.



## Black Glass Liners

See separate instructions for fitting (PR2214).

# User Instructions

## Advice on handling and disposal of fire ceramics



The fuel effect and side panels in this appliance are made from Refractory Ceramic Fibre (RCF), a material which is commonly used for this application.

Protective clothing is not required when handling these articles, but we recommend you follow normal hygiene rules of not smoking, eating or drinking in the work area and always wash your hands before eating or drinking.

To ensure that the release of RCF fibres are kept to a minimum, during installation and servicing a HEPA filtered vacuum is recommended to remove any dust accumulated in and around the appliance before and after working on it. When servicing the appliance it is recommended that the replaced items are not broken up, but are sealed within heavy duty polythene bags and labelled as RCF waste.

RCF waste is classed as stable, non-reactive hazardous waste and may be disposed of at a licensed landfill site.

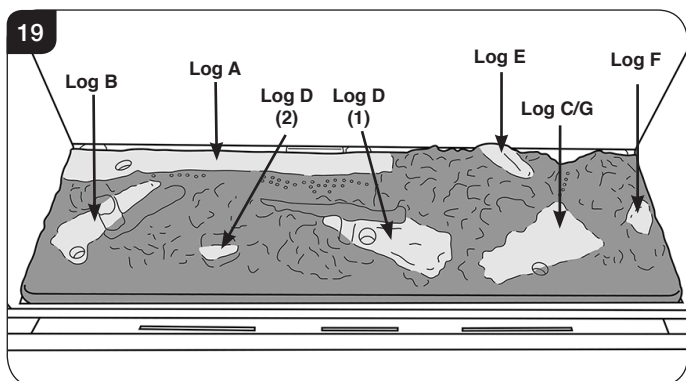
Excessive exposure to these materials may cause temporary irritation to eyes, skin and respiratory tract; wash hands thoroughly after handling the material.

## 6. Arrangement of Fuel Bed Components

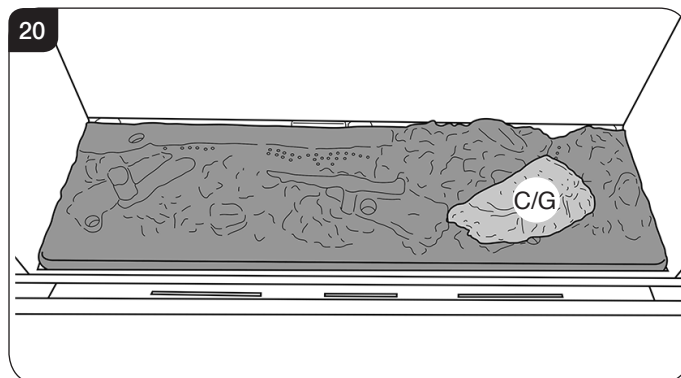
**LOGS MUST BE POSITIONED ACCORDING TO THE FOLLOWING INSTRUCTIONS TO GIVE THE CORRECT FLAME EFFECT.**

- 6.1 Ensure the burner tray is clean and free from any debris.
- 6.2 The logs for the fuel bed are clearly individually labelled.
- 6.3 The burner tray has specific location points for each log, see highlighted areas in Diagram 19.

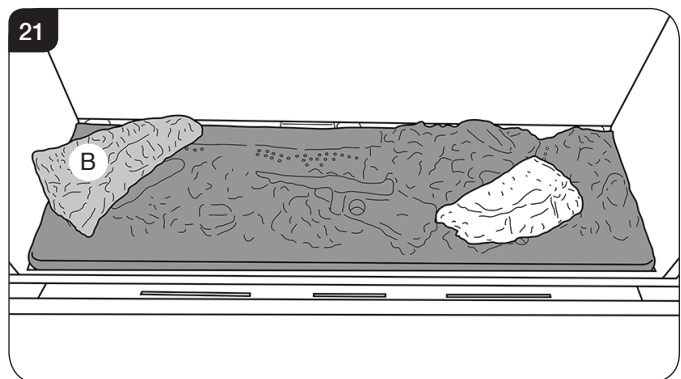
**Note:** There is a change to one of the logs depending on whether the appliance uses Natural Gas or LPG. Natural Gas has the complete set A-F sequentially. LPG has Log G instead of C. Ensure that you have the right log for the gas type used.



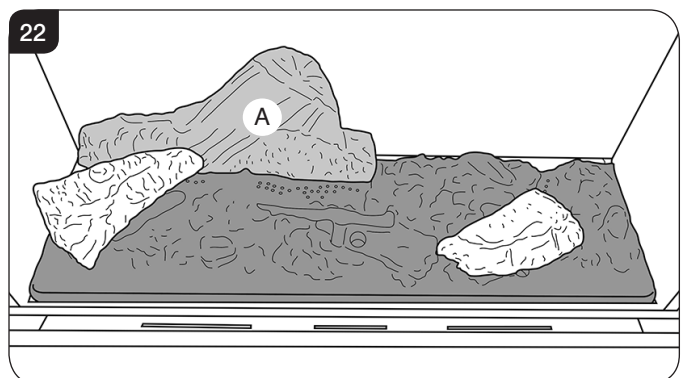
- 6.4 Place log C (Nat Gas) or G (LPG) on the right hand side of the burner, see Diagram 20. The log will rest on the flat location point shown in Diagram 19.



- 6.5 Place log B on the left hand side of the burner, see Diagram 21. The log will rest on the flat location point shown in Diagram 19.

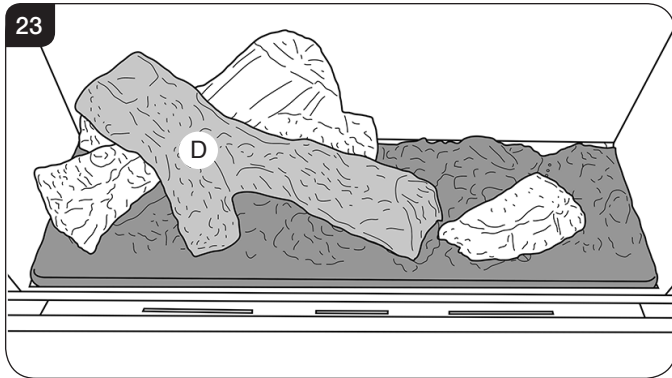


- 6.6 Place log A behind log B. The log will rest on the flat location plain shown in Diagram 19 with the left side against the left liner and the back against the rear liner, see Diagram 22.

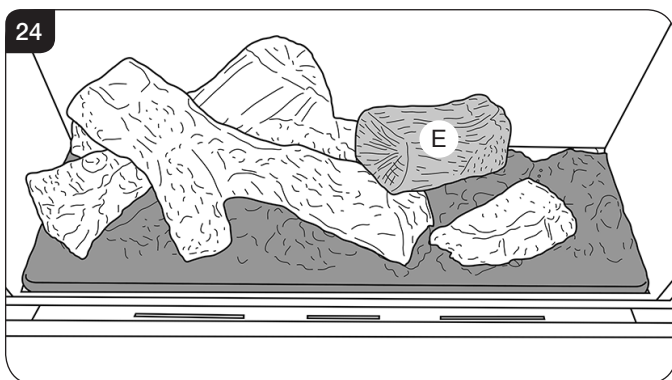


# User Instructions

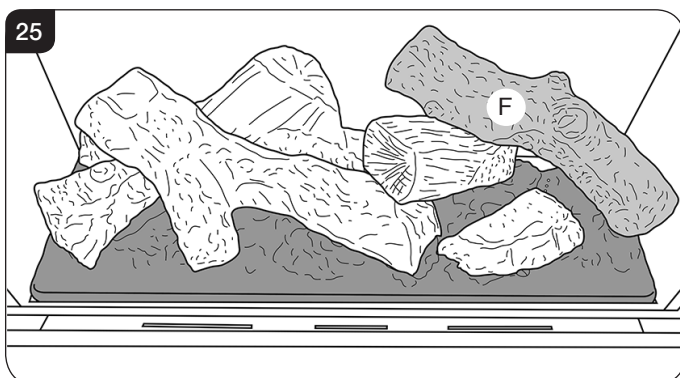
- 6.7 Position the right hand end of log D on the flat location plain on the burner, as shown in Diagram 19, Log D (1). Rest the left hand end of the log across log B, see Diagram 23. Ensure that the front branch rests in the location point on the burner, as shown in Diagram 19, Log D (2).



- 6.8 Position the charred end of log E on the location point on the burner, as shown in Diagram 19, with the log touching the back liner. The front end of the log should rest across the right hand end of log D, see Diagram 24.

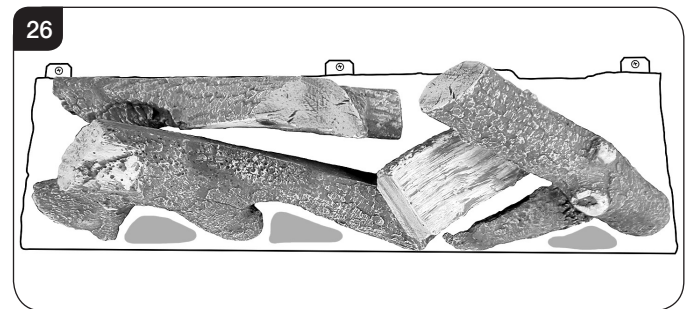


- 6.9 Position the right hand end of log F on the location point on the burner, see Diagram 19. Rest the left hand end of the log across the back end of log E, see Diagram 25. The back edge of log F should rest against the back liner.



- 6.10 Separate the Embaglow material into smaller pieces and pull into shape to create a fine layer.

- 6.11 Place the pieces of Embaglow between the logs in the highlighted areas shown in Diagram 26. Ensure the material is placed loosely between the logs to create a random glow.



- 6.12 Once the fuel bed arrangement is complete, replace the glass frame and secure, see Section 4.



**UNDER NO CIRCUMSTANCES SHOULD THE APPLIANCE BE USED IF ANY OF THE GLASS FRAME RETAINING SCREWS ARE LOOSE OR MISSING.**

## 7. Flame Failure Device

- 7.1 This is a safety feature incorporated on this appliance which automatically switches off the gas supply if the pilot goes out and fails to heat the thermocouple.

**IF THIS OCCURS DO NOT ATTEMPT TO RELIGHT THE APPLIANCE FOR 3 MINUTES.**

## 8. Running In

- 8.1 During initial use of a new Gazco appliance a strong odour will be encountered as various surface coatings become hot for the first time. Although these odours are harmless it is recommended that the appliance is operated on maximum for 4 to 8 hours in order to fully burn off these coatings. After this period the odours should then disappear.

If the odours persists, please contact your installer for advice.

- 8.2 During the first few hours of burning there may be discolouration of the flames. This will also disappear after a short period of use.

## 9. Servicing

- 9.1 The appliance must be serviced every 12 months by a qualified Gas Engineer. In all correspondence always quote the Model number and the Serial number which may be found on the Commissioning Checklist (Page 3).

# User Instructions

## 10. Ventilation

- 10.1 Any purpose provided ventilation should be checked periodically to ensure that it is free from obstruction.


## 11. Installation Details

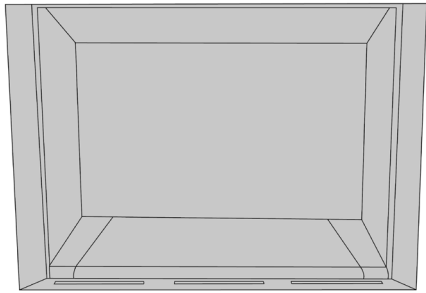
- 11.1 Your installer should have completed the commissioning sheet at the front of this book. This records the essential installation details of the appliance. In all correspondence always quote the Model number and Serial number.

## 12. Hot Surfaces

- 12.1 Parts of this appliance become hot during normal use.
- 12.2 Regard all parts of the appliance as a working surface.
- 12.3 Provide a suitable fire guard to protect young children and the infirm.

27

 = Hot Surface



## 13. Appliance will not light

If you cannot light the appliance:

- 13.1 Check and change the batteries in the remote handset.
- 13.2 Check and change the appliance batteries (see Section 3).
- 13.3 Consult your Gazco retailer or installer if the appliance still does not light.

# Installation Instructions

## Technical Specification

Covering the following models:

Riva2 750HL					
	Black Reeded Lining	Vermiculite Lining	Brick Effect Lining	Ledgestone Lining	Black Glass Lining
Nat Gas	134-033	134-047	134-059	134-076	134-084
LPG	134-421	134-439	134-466	134-480	134-495

Model	Gas CAT.	Gas Type	Working Pressure	Aeration	Injector	Gas Rate m <sup>3</sup> /h	Input kW (Gross)		Country
							High	Low	
Riva2 750HL	I <sub>2</sub> H	Natural Gas (G20)	20mbar	2 x 8mm Ø	084	0.794	8.4	5	GB, IE
	I <sub>3</sub> P	Propane (G31)	37mbar	2 x 17mm Ø	150	0.303	8.2	5	
<b>Efficiency Class 1 - 86% / NO<sub>x</sub> Class 4</b>									
Flue Outlet Size Ø 100mm									
Flue Inlet Size Ø 152mm Ø									
Gas Inlet Connection Size Ø 8mm									

**i** The net efficiency of this appliance has been measured as specified in EN613:2001 and the result after conversion to gross using the appropriate factor from Table E4 of SAP 2012 is 79.2%. The test data has been certified by Kiwa Nederland BV. The gross efficiency value may be used in the UK Government's Standard Assessment Procedure (SAP) for energy rating of dwellings.

RESTRICTOR REQUIREMENT - VERTICAL & HORIZONTAL FLUE SPECIFICATION		
Riva2 750 - NAT GAS ONLY		
Vertical flue height from top of appliance	Horizontal length	Restrictor size
700mm - 999mm	Up to 500mm	N/A
1000mm - 1499mm	Up to 1000mm	N/A
1500mm - 2499mm	Up to 5000mm	N/A
2500mm - 3000mm	Up to 5000mm	70mm
Riva2 750 - LPG ONLY		
Vertical flue height from top of appliance	Horizontal length	Restrictor size
700mm - 999mm	Up to 500mm	N/A
1000mm - 1499mm	Up to 1000mm	N/A
1500mm - 1999mm	Up to 3000mm	N/A
2000mm - 3000mm	Up to 4000mm	N/A

TOP EXIT - VERTICAL ONLY INCLUDING OFFSET			
NAT GAS		LPG	
Vertical flue height from top of appliance	Restrictor size	Vertical flue height from top of appliance	Restrictor size
3000mm - 5999mm	60mm	3000mm - 10000mm	60mm
6000mm - 10000mm	52mm (Sliding Restrictor)		

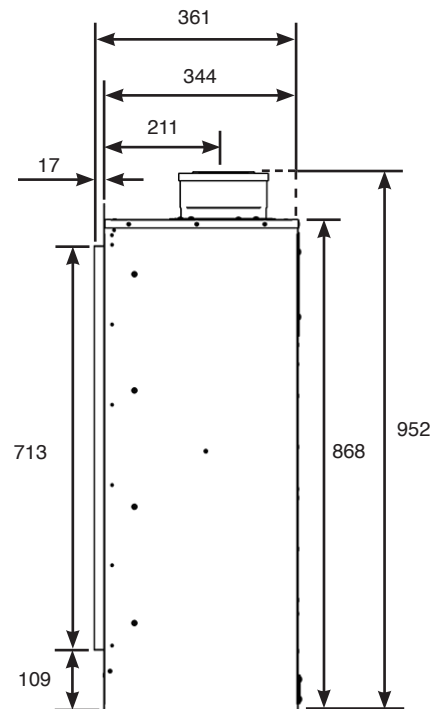
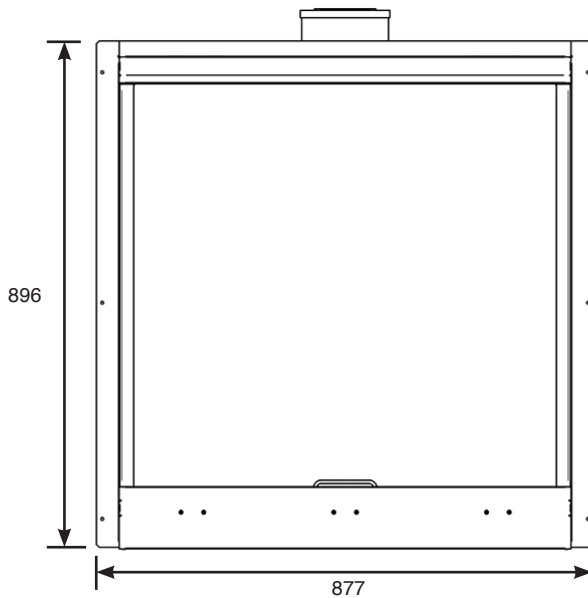
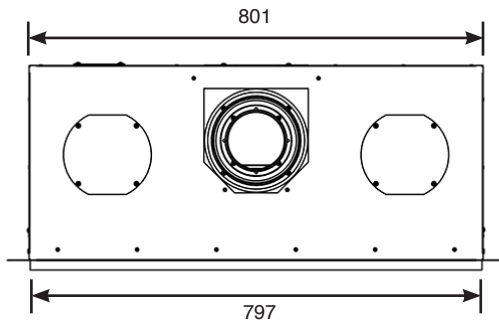
# Installation Instructions

## Technical Specification

This appliance has been certified for use in countries other than those stated. To install this appliance in these countries, it is essential to obtain the translated instructions and in some cases the appliance will require modification. Contact Gazco for further information.

### PACKING CHECKLIST

Qty	Description	Fixing kit containing
1 x	Cassette and burner assembly	1 x Instruction manual
1 x	Set of lining panels - fitted.	6 x Woodscrews
1 x	Log set (6 logs)	6 x Wall plugs
		1 x Self adhesive foam strip
		1 x Handset
		4 x AA cell batteries
		1 x 9v cell battery
		1 x Battery Holder
		1 x 60mm Restrictor





# Installation Instructions

## Site Requirements

### 1. Flue & Chimney Requirements

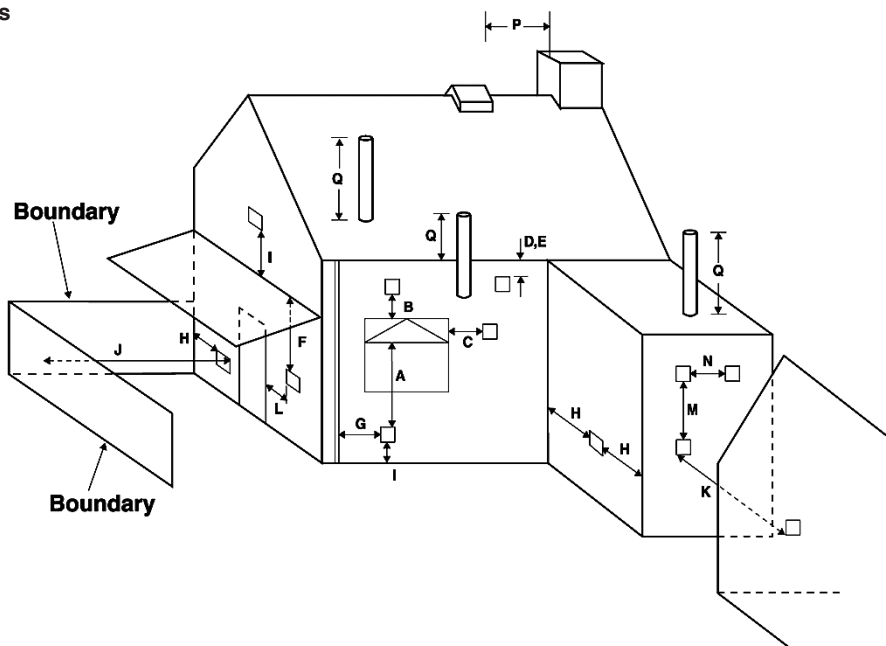
**Note: This appliance must only be installed with the flue supplied.**

You must adhere to the following:

- 1.1 The flue must be sited in accordance with BS5440: Part 1 (latest edition), see Diagram 1.
- 1.2 Fit a guard to protect people from any terminal less than 2 metres above any access such as level ground, a balcony or above a flat roof.
- 1.3 All vertical and horizontal flues must be securely fixed and fire precautions followed in accordance with local and national codes of practice.
- 1.4 A restrictor may be required, see Technical Specifications on page 13.
- 1.5 Two types of flue terminals are available, horizontal and vertical.

- 1.6 To measure for a horizontal terminal decide on the terminal position.
- 1.7 Measure the height from the top of the appliance to the centre of the required outlet.
- 1.8 For minimum and maximum flue dimensions see Diagrams 2a.
- 1.9 Allow enough room either above or to the side of the appliance to assemble the flue on top.
- 1.10 Assemble a horizontal flue in the following order:
  - Vertical section
  - 90° elbow
  - Horizontal plus terminal
- 1.11 Support the opening of a masonry installation with a lintel.
- 1.12 Only the horizontal terminal section can be reduced in size.

### 1 UK Dimensions



Dimension	Terminal Position	Minimum Distance
A	Directly below an opening	600mm
B	Above an opening	300mm
C	Horizontally next to an opening	400mm
D	Below gutters, soil pipes or drain pipe	300mm
E	Below eaves	300mm
F	Below balcony or car port roof	600mm
G	From a vertical drain pipe or soil pipe	300mm
H	From an internal or external corner or to a boundary alongside the terminal	600mm
I	Above ground, roof or balcony level	300mm

Dimension	Terminal Position	Minimum Distance
J	From a surface or boundary facing the terminal	600mm
K	From a terminal facing the terminal	600mm
L	From an opening in the car port (e.g. door, window) into the dwelling	1200mm
M	Vertically from a terminal on the same wall	1200mm
N	Horizontally from a terminal on the same wall	300mm
P	From a structure on the roof	600mm
Q	Above the highest point of intersection with the roof	300mm

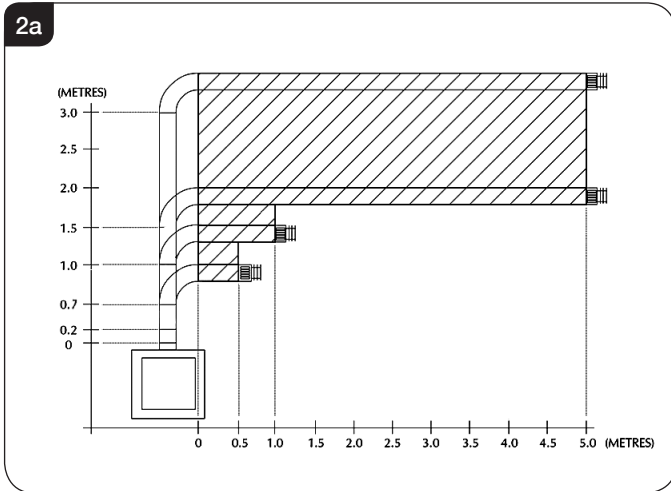
\* In addition, the terminal should not be nearer than 300mm to an opening in the building fabric formed for the purpose of accommodating a built-in element such as a window frame.

# Installation Instructions

## Site Requirements

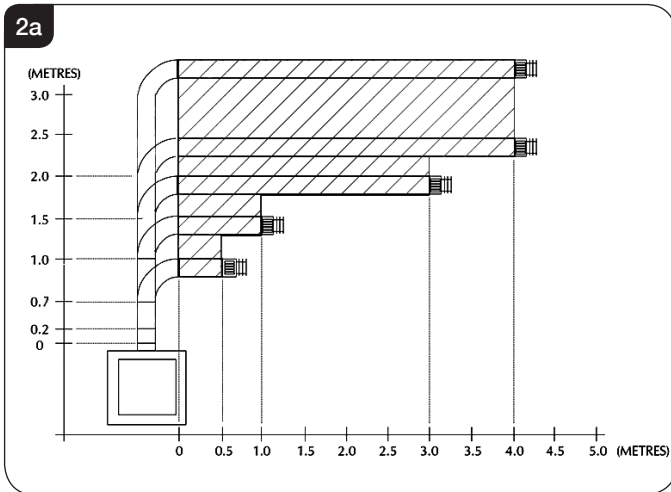
### 2. Flue Options

#### Natural Gas Models



Start of bend to centre line of horizontal flue 170mm. Centre line of vertical flue to end of bend 220mm.

#### LPG Models



Start of bend to centre line of horizontal flue 170mm. Centre line of vertical flue to end of bend 220mm.

### 2A. Top Flue Up and Out Kit 8509/ 8509AN

2.1 Vertical from the top of the appliance then horizontally out, see Diagram 2a. The basic kit comprises:

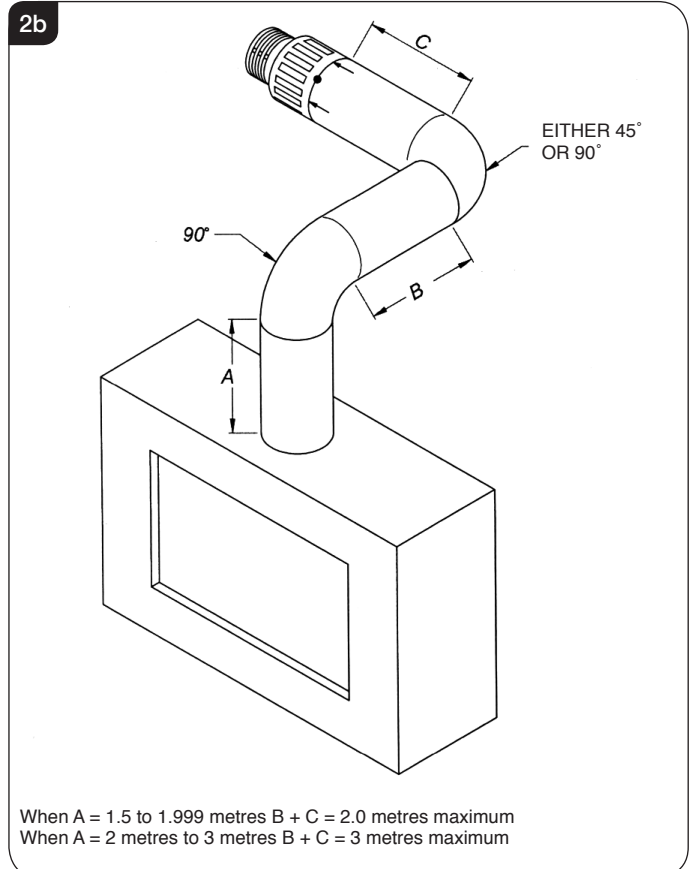
- 1 x 500mm terminal length
- 1 x 200mm vertical length
- 1 x 90 degree elbow
- 1 x 500mm vertical length
- 1 x wall plate
- 1 x 60mm restrictor
- 1 x 70mm restrictor
- 1 x 75mm restrictor
- 4 x fixing screw

This kit provides the minimum materials. Extra lengths can be added to the vertical and horizontal sections; see Section 3.

Refer to Installation Instructions, Technical Specification on page 13 to identify when to use a restrictor.

### 2B. Top Flue Up and Out with Additional Bend

2.2 Any additional bend may be used on the horizontal section (either 45° or 90°), but the overall horizontal flue run will be reduced. Refer to Diagram 2b.



# Installation Instructions

## Site Requirements

### 2C. Top Flue Vertical Kit (999-539/999-539AN)

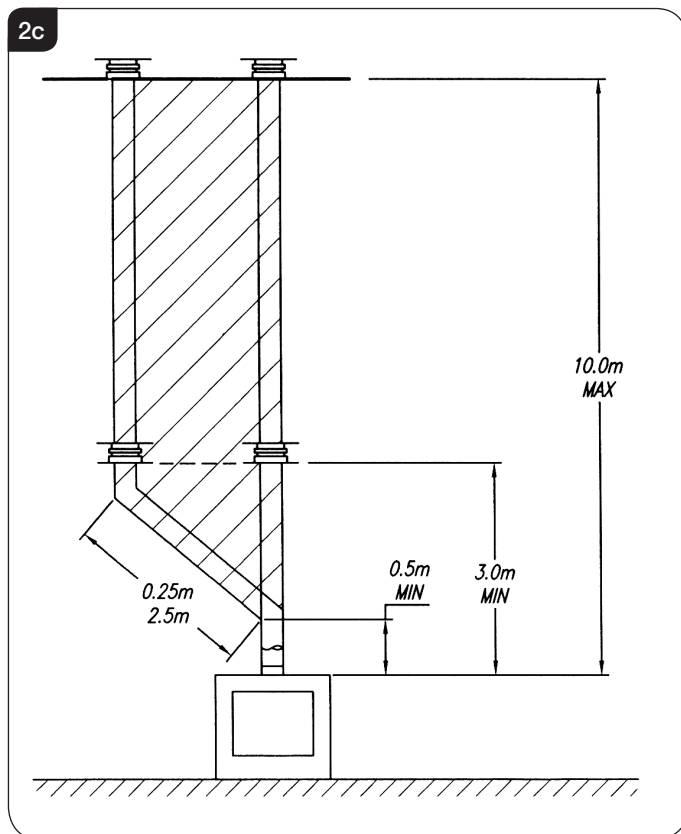
#### Natural Gas Models

2.3 This flue is vertical from the top of the appliance, see Diagram 2c. A minimum vertical rise of 3m (9'10") to a maximum of 10m (32'10").

The basic kit comprises:

- 2 x 1m lengths
- 1 x 1m terminal lengths
- 1 x 52mm restrictor (sliding plate assembly)
- 1 x 47mm restrictor (sliding plate assembly)

Extra lengths may be added from the table in Section 3.



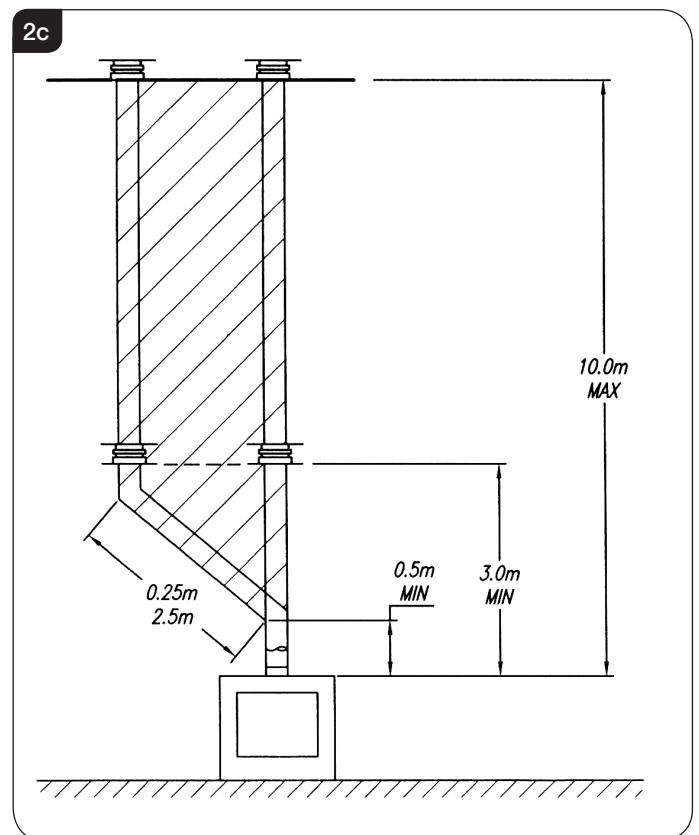
#### LPG Models

2.4 This flue is vertical from the top of the appliance, see Diagram 2c. A minimum vertical rise of 3m (9'10") to a maximum of 10m (32'10").

The basic kit comprises:

- 2 x 1m lengths
- 1 x 1m terminal lengths
- 1 x 52mm restrictor (sliding plate assembly)
- 1 x 47mm restrictor (sliding plate assembly)

Extra lengths may be added from the table in Section 3.



### 2D. Top Flue Vertical Offset Kit (8530/8530AN)

2.5 Used with kit 8524. A minimum rise of 500mm (19 1/2") is required to the first bend, see Diagram 2c.

# Installation Instructions

## Site Requirements

### 3. Optional Extra Flue Lengths and Bends

All flue components are 150mm diameter (6")

NOMINAL LENGTH	ACTUAL LENGTH	STAINLESS FINISH	ANTHRACITE FINISH
200mm	140mm	8527	8527AN
500mm	440mm	8528	8528AN
1000mm	940mm	8529	8529AN
40° Bend	N/A	8507	8507AN
90° Bend	N/A	8508	8508AN

**NOTE:** The following areas need careful consideration.

- a) Terminal positions
- b) Flue supports
- c) Weatherproofing
- d) Fire precautions

For all the above options, local and national codes of practice must be adhered to.

### 4. Chimney Renovation Kit (928-315)

Details of the Chimney Renovation Kit are available in the separate installation instructions - PR2073 Chimney Renovation Kit instructions.

### 5. Gas Supply

This appliance is intended for use on a gas installation with a governed meter.

- 5.1 Before installation, ensure that the local distribution conditions (identification of the type of gas and pressure) and the adjustment of the appliance are compatible.
- 5.2 Ensure that the gas supply is capable of delivering the required amount of gas and is in accordance with the rules in force.
- 5.3 Soft copper tubing can be used to install the appliance. Soldered joints can be used externally of the appliance.
- 5.4 This appliance is supplied complete with a factory fitted isolation device incorporated into the inlet connection, no further isolation device is required.
- 5.5 All supply gas pipes must be purged of any debris that may have entered, prior to connection to the appliance.
- 5.6 The gas supply enters through the silicone panel located on the rear of the outer box. Slit with a sharp knife prior to passing the supply pipe through.
- 5.7 The gas supply must be installed in a way that does not restrict the removal of the appliance for servicing and inspection.

### 6. Ventilation

- 6.1 This appliance requires no additional ventilation.

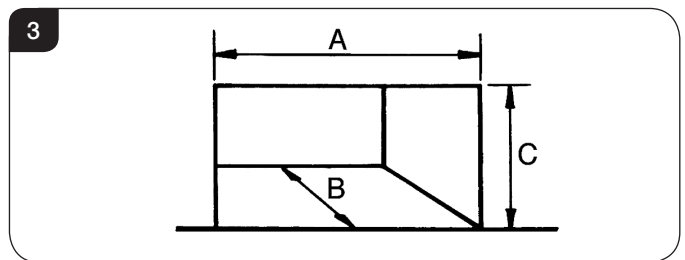
### 7. Appliance Location



If fitting this appliance with a decorative frame it cannot be installed with the base of the appliance less than 150mm from the floor level. The frame requires a minimum clearance to allow air to circulate.

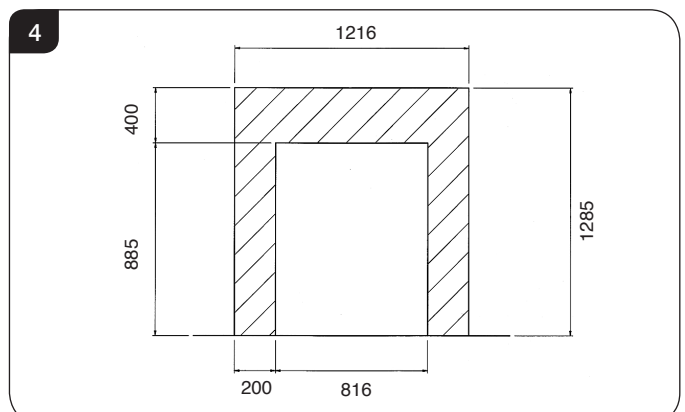
If this appliance is fitted less than 225mm from the floor, then it will require a hearth to protect the floor. The hearth should have a minimum dimension of 12mm thick, projecting 225mm in front and 150mm either side of the appliance.

- 7.1 The minimum opening dimensions are shown in Diagram 3.



DIMENSION	Riva2 750HL
A	816mm
B	380mm
C	885mm

- 7.2 This appliance must not be installed in a room that contains a bath or shower.
- 7.3 **NOTE:** If using natural materials for the back panel of the fireplace, it is recommended that it is constructed from three or more sections to prevent cracking. Resin based materials may not be suitable. This appliance is an effective heat producer and attention must be paid to the construction and finish of the fireplace.
- 7.4 This appliance is not suitable for installation onto a combustible wall; all combustible materials must be removed from the area shown in Diagram 4.



# Installation Instructions

## Site Requirements



### Mantels, Hearths & Slips

If fitting this appliance with a decorative surround it will be necessary to install the appliance with a hearth and Slip set.

The hearth must have a minimum depth of 225mm. It is essential to ensure that a height of 123mm is maintained from the finished floor to the bottom edge of the viewing area.

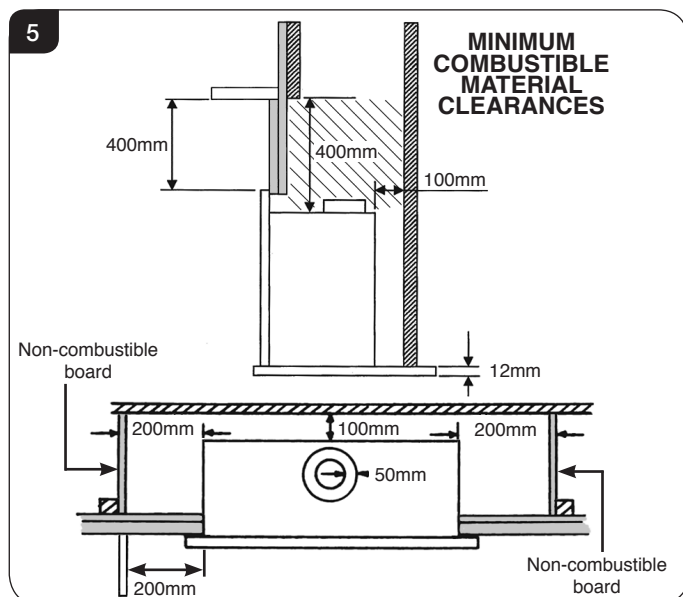
Read these instructions in conjunction with the manual supplied before installation.

### STUDWORK INSTALLATION

- 7.5 If a studwork installation is used (eg. wooden framework and plasterboard), combustible parts of the studwork must not be any closer than the minimum dimensions shown in the diagrams. NOTE: These dimensions must be maintained even if the combustible materials is protected by non-combustible linings.
- 7.6 Do not pack the void around or above the appliance with insulation materials such as mineral wool.
- 7.7 The void into which the cassette is fitted must be ventilated to prevent a build up of heat. If the void is sealed then it will be necessary to fit vents at both low and high levels of approximately 50cm<sup>2</sup> each. These vents should take cold air from the room and return warm air back into the room.
- 7.8 A removable access hatch must be left in the side of the chimney breast for future servicing and inspection of the appliance.
- 7.9 Build the studwork chimney breast to the desired size. Ensure that the clearances to combustible materials is maintained.

**PROTECT THE NEAREST STUDWORK WITH NON-COMBUSTIBLE MATERIAL AND MAINTAIN THESE DIMENSIONS AT ALL TIMES, SEE DIAGRAM 5.**

- 7.10 **DISTANCE TO NON-COMBUSTIBLE OR COMBUSTIBLE MATERIAL TO CREATE ENOUGH CLEARANCE FOR THE TOP VENTS TO OPEN. IT IS IMPORTANT THAT NO PART OF THE STUDWORK, (COMBUSTIBLE OR NOT,) IS BUILT WITHIN 400MM OF THE TOP OF THE BOX.**
- 7.11 It is recommended that a marble slip or similar material is used when fitting cassette fireplaces into a plastered surface, in order to allow for heat dissipation. Also allow adequate time for newly plastered areas to dry out. Rapid drying can create cracks. If in doubt, seek the advice of a professional plasterer.
- 7.12 Parts of this appliance become hot during normal use. It is therefore recommended that a suitable fire guard be used for protection of young children and the infirm.

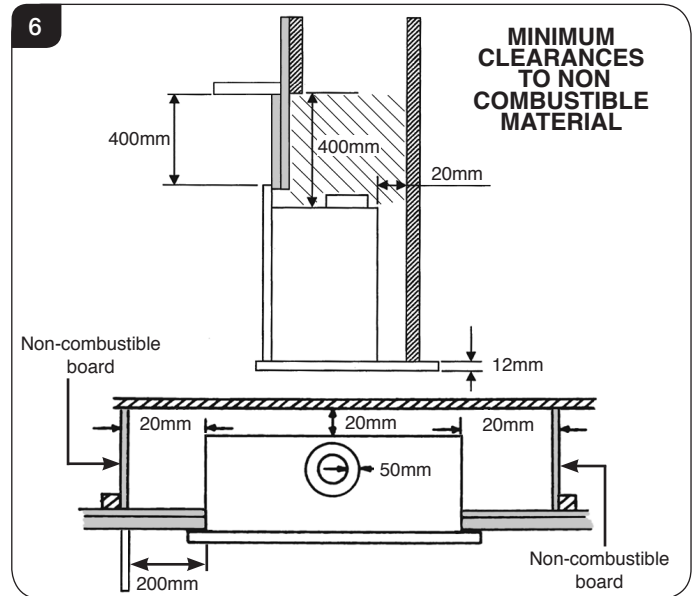


# Installation Instructions

## Site Requirements

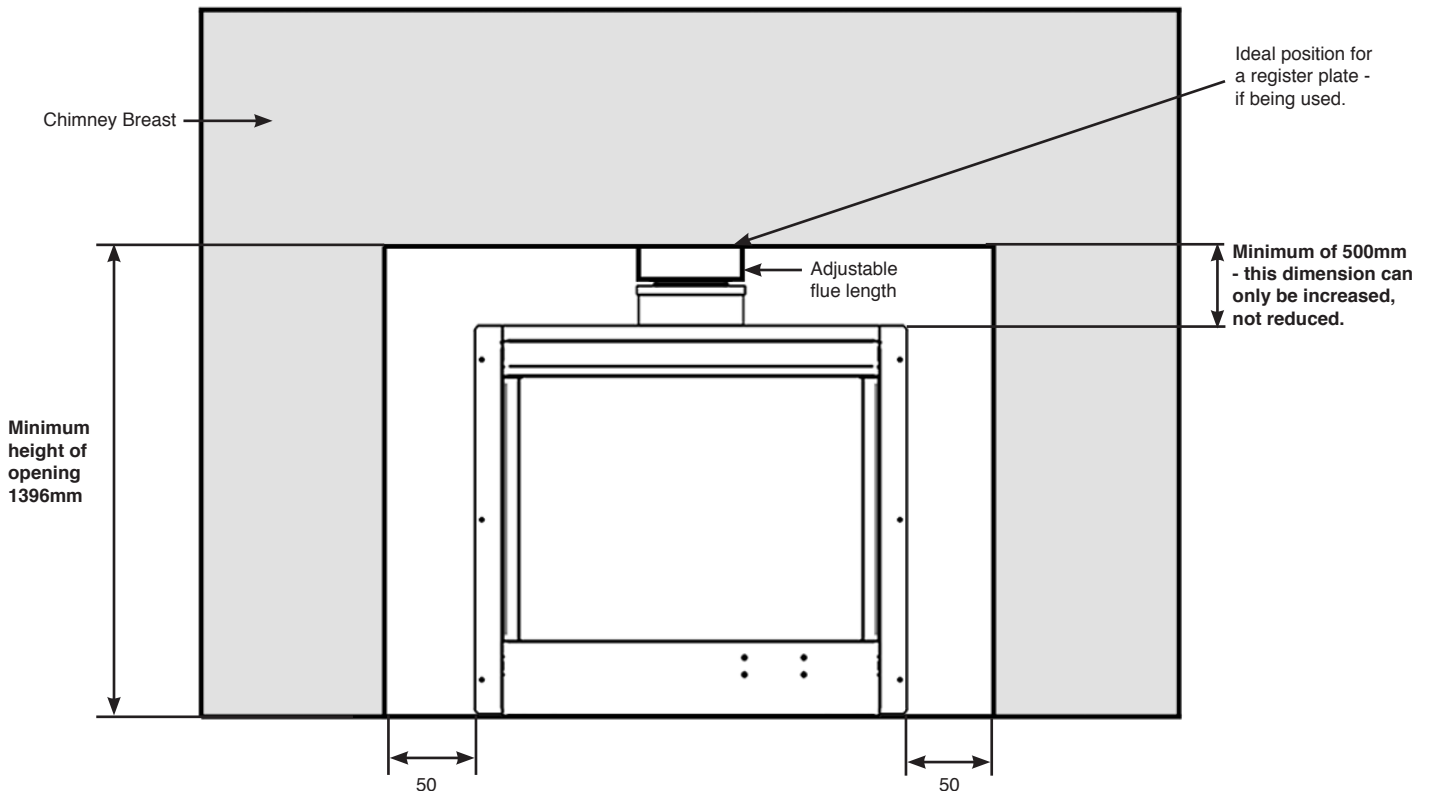
### Masonry Installation

- 7.13 Please note this appliance has been primarily designed for studwork applications. However, there are circumstances where the appliance could be installed in a block or brickwork fireplace using different methods and materials for the final effect.  
**THIS VOID MUST BE VENTED TO PREVENT HEAT BUILD UP AROUND THE APPLIANCE.**
- 7.14 This appliance is not suitable for installation onto a combustible wall. Remove all combustible material from the area shown, see Diagram 6.
- 7.15 Create a Builders Opening in chimney breast to the required size, see Diagram 7. Ensure that the clearances to combustible materials is maintained.



**7**

### Ideal Masonry Installation with Flue Renovation Kit





# Installation Instructions

## 1. Safety Precautions

- 1.1 For your own and other's safety, you must install this appliance according to local and national codes of practice. Failure to install the appliance correctly could lead to prosecution. **Read these instructions before installing and using this appliance.**
- 1.2 These instructions must be left intact with the user.
- 1.3 Do not attempt to burn rubbish on this appliance.
- 1.4 Keep all plastic bags away from young children.
- 1.5 Do not place any object on or near to the appliance and allow adequate clearance above the appliance.

**IF THE APPLIANCE IS EXTINGUISHED OR GOES OUT IN USE, WAIT 3 MINUTES BEFORE ATTEMPTING TO RELIGHT THE APPLIANCE.**

- 1.6 The appliance is fitted with an oxygen sensitive pilot that will act to cut off the gas supply to the appliance in the event of incorrect operation of the flue. If the system acts to shut off the gas supply, this indicates that there is insufficient flue pull. Continued operation of this safety device means that there may be a serious problem with the flue system, and this should be inspected by a qualified gas engineer. **Do not use the appliance until an engineer says it is safe to do so.** The oxygen sensitive pilot must not be tampered with. Use only genuine Gazco replacement parts when servicing the appliance - refer to Servicing section.



**IMPORTANT: REFER TO DATA BADGE AND TECHNICAL SPECIFICATION AT THE FRONT OF THE MANUAL TO ENSURE THE APPLIANCE IS CORRECTLY ADJUSTED FOR THE GAS TYPE AND CATEGORY APPLICABLE IN THE COUNTRY OF USE.**

**FOR DETAILS OF CHANGING BETWEEN GAS TYPES REFER TO SERVICING, SECTION 13, REPLACING PARTS.**

## Unpacking

- 1.7 Remove the appliance from its packaging, and check that it is complete and undamaged.

Put the loose ceramic parts to one side so that they are not damaged during installation.

## 2. Installation of the Appliance

- 2.1 There are 2 methods of installation:

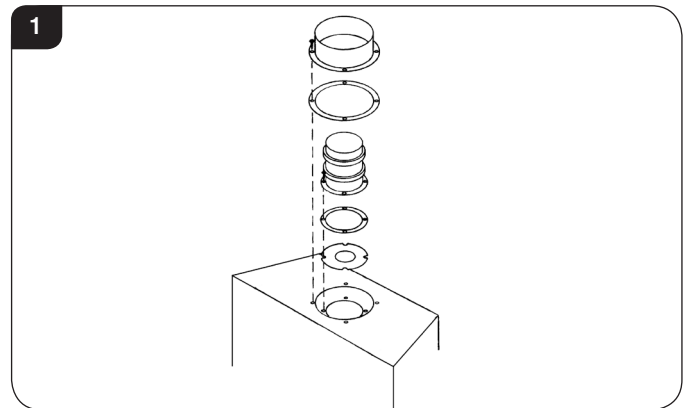
Edge finish Installation.  
Installation with a decorative front.

Carefully read the relevant section for the installation method required.

## 3. Flue Assembly

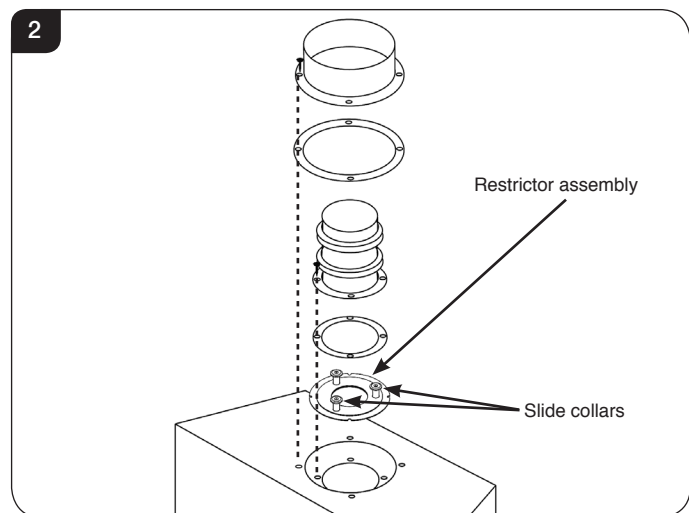
- 3.1 See Site Requirements, Section 2, Flue Options.

**TAKE CARE WHEN MARKING OUT FOR THE FLUE AS IT IS DIFFICULT TO MOVE AFTER INSTALLATION. IF A RESTRICTOR IS REQUIRED FIT THIS BETWEEN THE SMALL OUTLET SPIGOT AND THE AIR DUCT, SEE DIAGRAM 1. REFER TO TECHNICAL SPECIFICATIONS FOR RESTRICTOR SIZE.**



- 3.2 **If the Sliding restrictor is required:**

It is important that the sliding restrictor assembly is used. The restrictor assembly must be fitted with the slide collars uppermost and the top restrictor plate must be checked to ensure it moves freely before the flue is fitted.



- 3.3 A 152mm (6") diameter hole in the wall is required to install the flue. This can be achieved by using either:
  - a) Core drill
  - b) Hammer and chisel
- 3.4 Drill small holes around the circumference when using method b). Make good both ends of the hole.
- 3.5 Allow enough room either above or to the side of the appliance to assemble the flue on top.

# Installation Instructions

3.6 Assemble a horizontal flue in the following order:

- Vertical section
- 90° elbow
- Horizontal plus terminal

3.7 Support the opening of a masonry installation with a lintel.

3.8 Only the horizontal terminal section can be reduced in size.

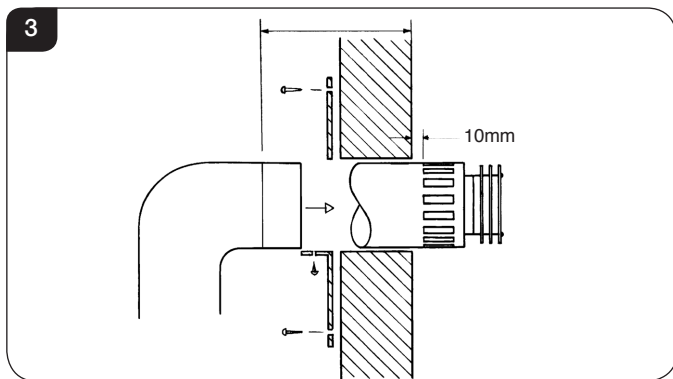
To find the length:

3.9 Measure from the outside of the wall to the stop on the 90° elbow.

3.10 **Add 10mm to the outlet end.**

3.11 Measure from the edge of the slots closest to the wall.

3.12 Mark around the flue, see Diagram 3.

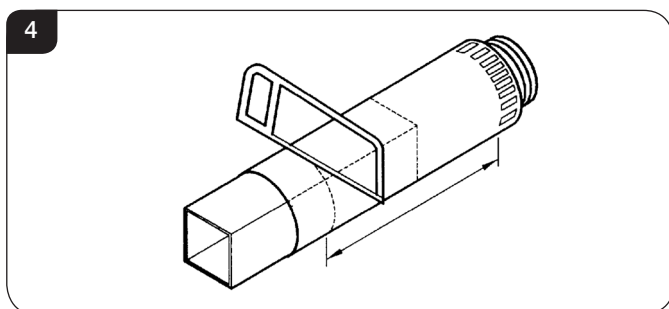


A wall plate is supplied to fix the flue to the wall:

3.13 Bend the tab to 90°.

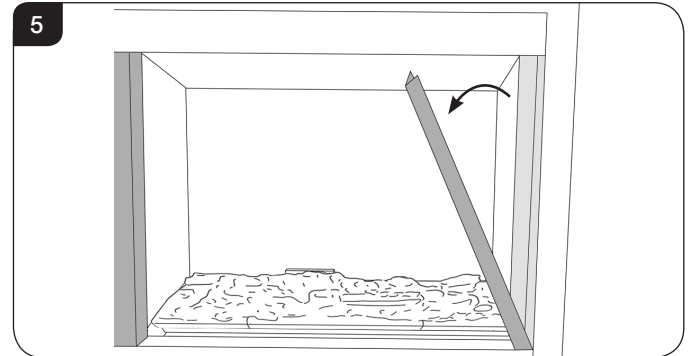
3.14 Assemble the plate onto the flue but do not secure to wall until the flue is fully assembled.

3.15 The cardboard fitment in the terminal is used to support the flue whilst it is cut to length. **ONCE CUT TO SIZE REMOVE THE CARDBOARD REMNANT**, see Diagram 4.

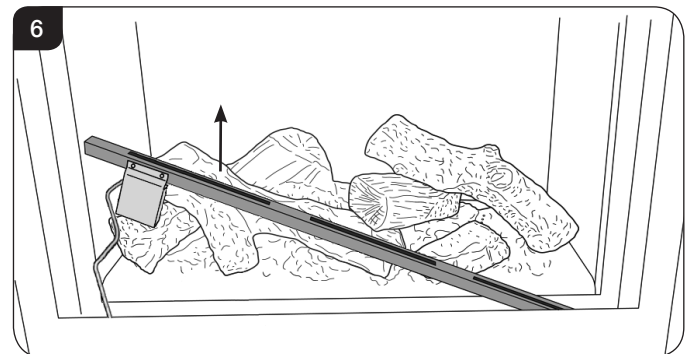


## 4. Removing the Glass Frame

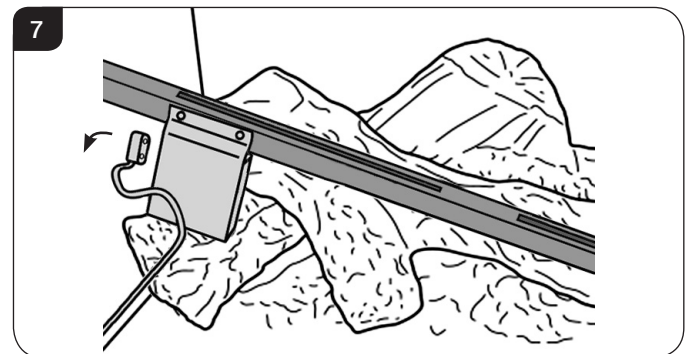
4.1 Remove the glass door by removing the 2 side trims, see Diagram 5. These are held on by magnets.



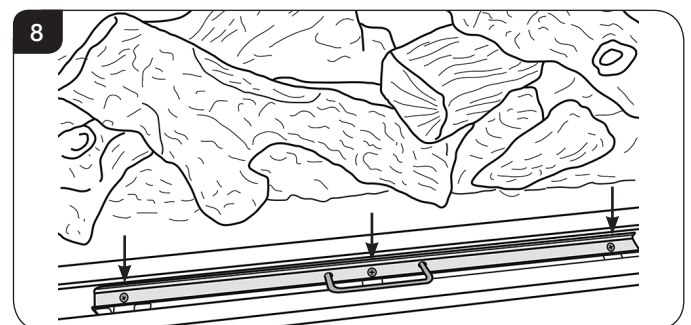
4.2 Lift out the bottom slotted trim, see Diagram 6. Note the orientation of the metal shield for reassembly.



4.3 Disconnect the battery lead from the battery pack attached to the lower slotted trim, see Diagram 7.

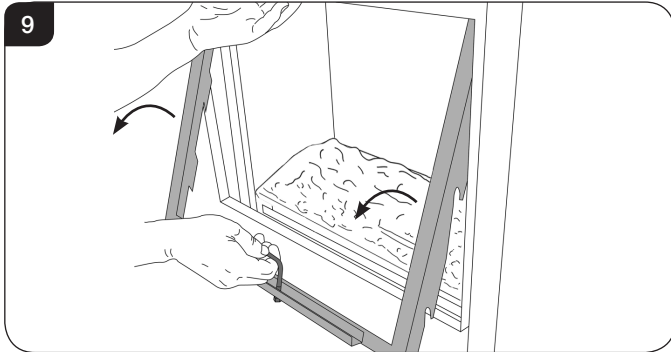


4.4 Remove the 3 screws at the base of the door, see Diagram 8.



# Installation Instructions

- 4.5 Pull up the handle at the front, see Diagram 8.
- 4.6 Whilst supporting the top, lift the door using the handle, up and over the lower edge, see Diagram 9.



## 5. Removing the Baffle and Liners

- 5.1 There are several lining options available for the Riva2 750:

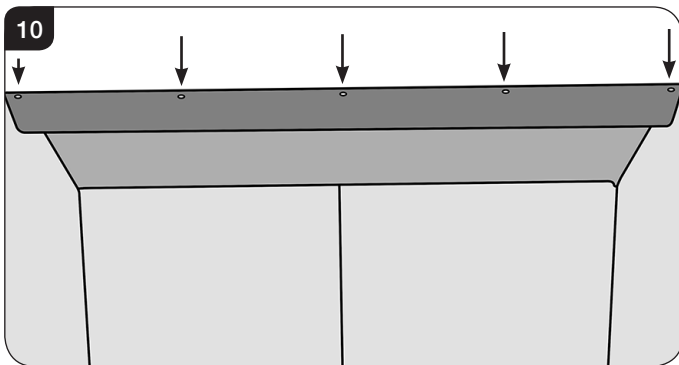
Vermiculite  
 Black Reeded  
 Brick Effect  
 Ledgestone  
 Black Glass Linings - see separate instructions (PR2214).

The lining sets will need to be removed at the same time as the baffle in order to protect the finish.

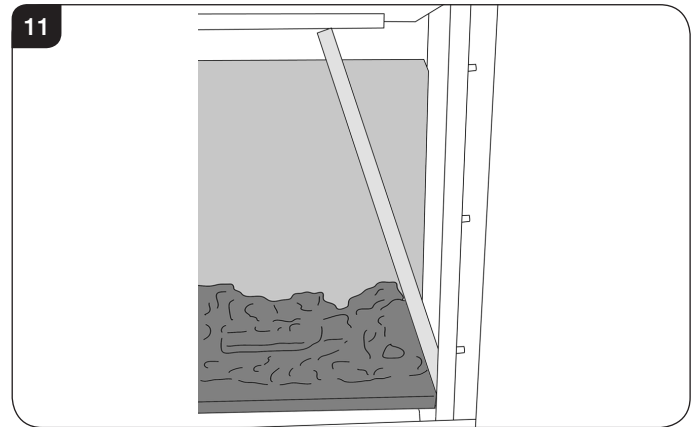
### Vermiculite/ Black Reeded

- 5.2 The top baffle must be removed first before accessing the lining set.

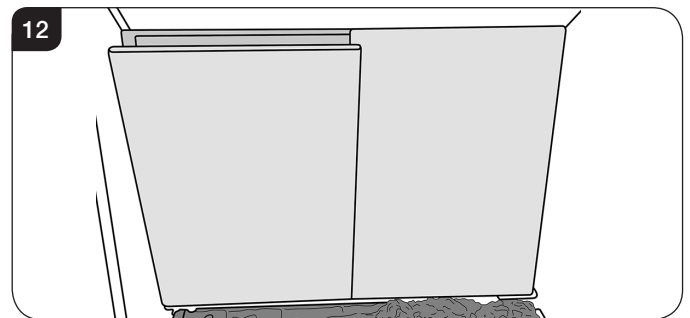
Remove the 5 screws holding the baffle in place, see Diagram 10.



- 5.3 To remove the right hand liner tilt the top inwards towards the centre of the firebox, lift and angle through the front of the appliance, see Diagram 11.



- 5.4 Repeat with the other side.
- 5.5 The side liners support the 2 piece back liner. Ensure the back liners are supported when the sides are removed.
- 5.6 Tip the back liners forward into the firebox and angle to remove, see Diagram 12.

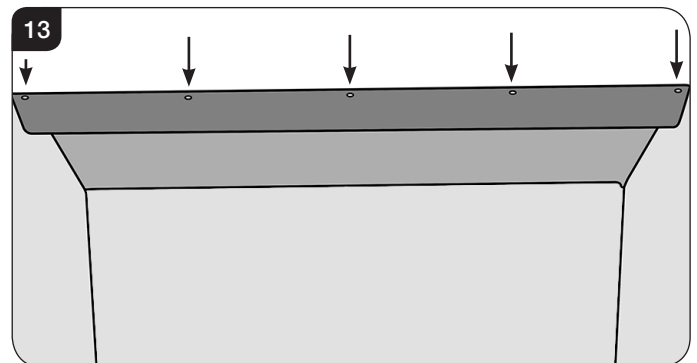


- 5.7 Re-assemble in reverse order.

### Brick Effect/ Ledgestone

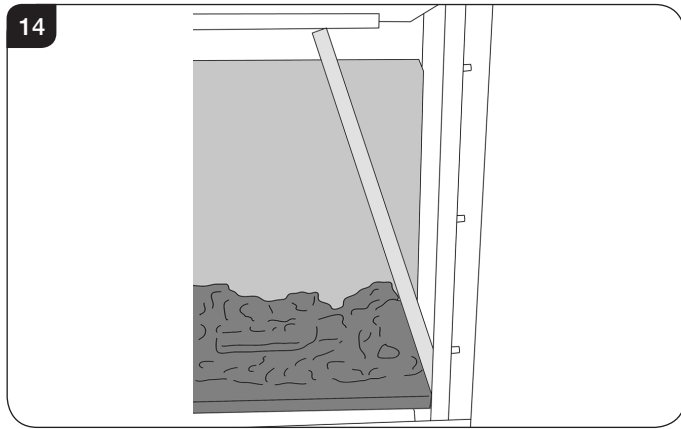
- 5.8 The top baffle must be removed first before accessing the lining set.

Remove the 5 screws holding the baffle in place, see Diagram 13.



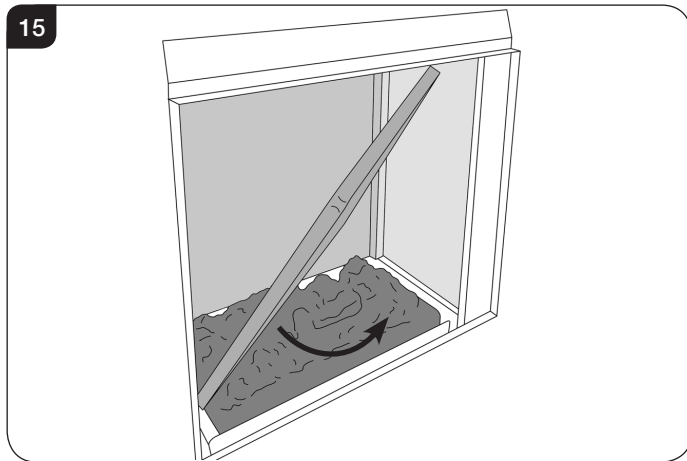
# Installation Instructions

- 5.9 To remove the right hand liner tilt the top inwards towards the centre of the firebox, lift and angle through the front of the appliance, see Diagram 14.



- 5.10 Repeat with the other side.

- 5.11 Lean the top of the panel forward, lift and twist slightly to allow removal through the front of the appliance, see Diagram 15.



## Black Glass Liners

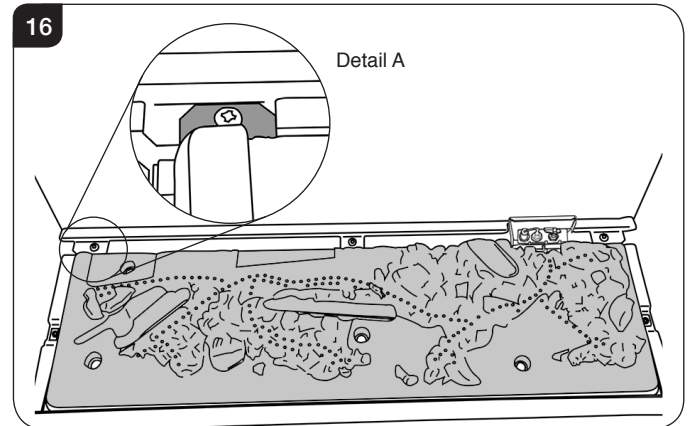
See separate instructions for fitting (PR2214).

## 6. Removing the Main Burner

- 6.1 Remove the main burner to access the gas isolation elbow.

To do this:

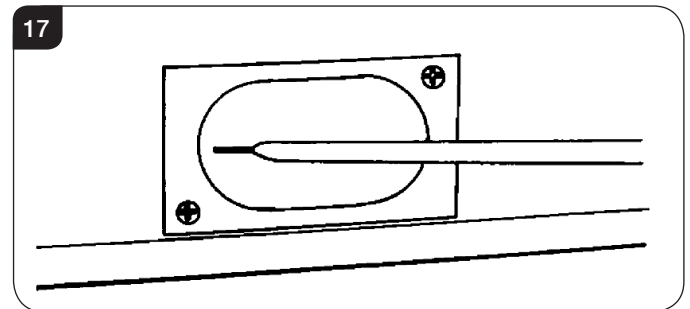
- 6.2 Remove the 3 screws at the back of the burner tray, and the 2 side brackets, see Diagram 16, Detail A.  
**TAKE CARE NOT TO DAMAGE THE FUEL BED WHEN REMOVING THE SCREWS.**



- 6.3 Slide the burner unit to the right, pull slightly forward and lift from the back. Carefully remove through the front of the appliance. Place carefully to one side.

**NOTE:** Check pilot is free of any particles or debris.

- 6.4 The gas supply enters through the silicone panel located on the left-hand rear of the outer box; this will need to be slit with a sharp knife prior to passing the supply pipe through, see Diagram 17.



**Note:** The isolation elbow needs to be attached to the gas pipe before installation.

# Installation Instructions

## 7. Masonry Chimney Installation

7.1 There are 2 methods of installation into a masonry chimney:

**7a.** Edge finish Installation.

**7b.** Installation with a decorative front.

Carefully read the relevant section for the installation method required.

7.2 This appliance is designed so that non-combustible board can be taken right up to the edge of the flange.

### 7a. Edge Finish Installation

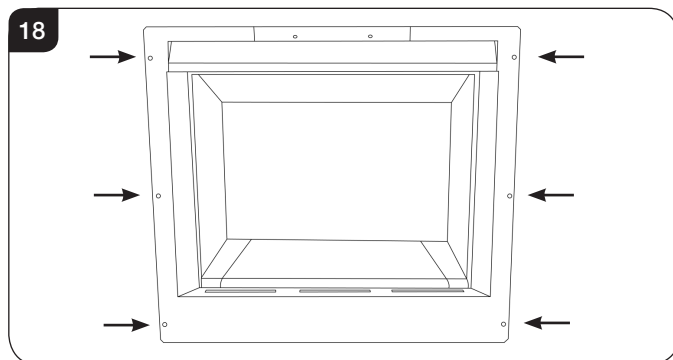
7a.1 This method is designed so that non-combustible board can be taken right up to the edge of the flange of the appliance.

7a.2 Fix the self adhesive foam seal around the back of the fixing flange of the appliance.

7a.3 Prepare the flue connection using the chosen method described in Section 2, Site Requirements.

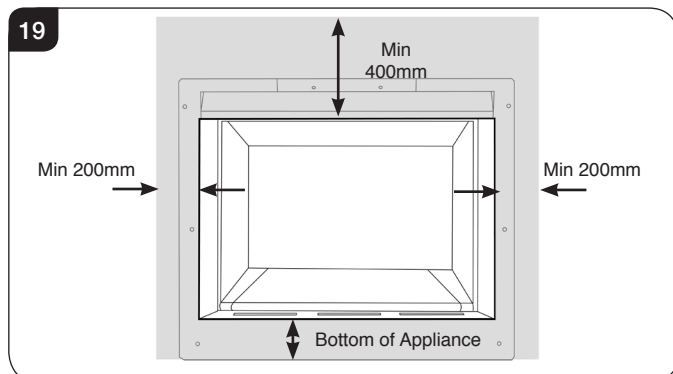
7a.4 Connect the flue and install the appliance into the aperture. At the same time ensure that the gas pipe passes through the silicon panel at the back of the appliance.

7a.5 Secure the appliance through the 6 fixing holes using the screws provided, see Diagram 18.



7a.6 Build the chimney breast up to coincide with the edge, allowing for the front to be skimmed level.

7a.7 Fit non-combustible board to the chimney breast around the appliance, using the distance to combustibles detailed in Diagram 19.



7a.8 Fit plasterboard to the remaining of the chimney breast front.

7a.9 Apply a heat resistant plaster around the appliance using the distance to combustibles detailed in Diagram 19.

7a.10 Apply a plaster finish to remaining chimney breast front.

### 7b. Installation with a Decorative Front



#### Mantels, Hearths & Slips

If fitting this appliance with a decorative surround it will be necessary to install the appliance with a **Hearth and Slip set**.

The hearth must have a minimum depth of 225mm. It is essential to ensure that a height of 123mm is maintained from the finished floor to the bottom edge of the viewing area.

**Read these instructions in conjunction with the manual supplied before installation.**

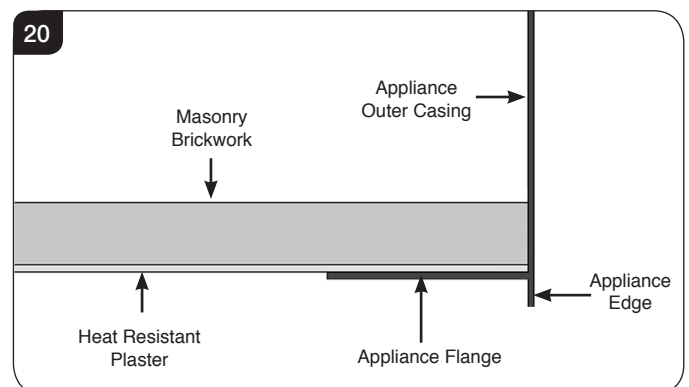
7b.1 Fix the self adhesive foam seal around the back of the fixing flange of the appliance.

7b.2 Prepare the flue connection using the chosen method described in Section 2, Site Requirements.

7b.3 Connect the flue and install the appliance into the aperture. At the same time ensure that the gas pipe passes through the silicon panel at the back of the appliance.

7b.4 Secure the appliance through the 6 fixing holes using the screws provided, see Diagram 18.

7b.5 The appliance flange should sit flush to the brickwork and the edge should sit proud of the wall, see Diagram 20.



7b.6 The subframe for the decorative front can now be fitted by following the instructions supplied with the Front.  
**NOTE: THE SUBFRAME MUST SIT FLUSH TO THE WALL LEVEL WITH THE APPLIANCE FLANGE.**

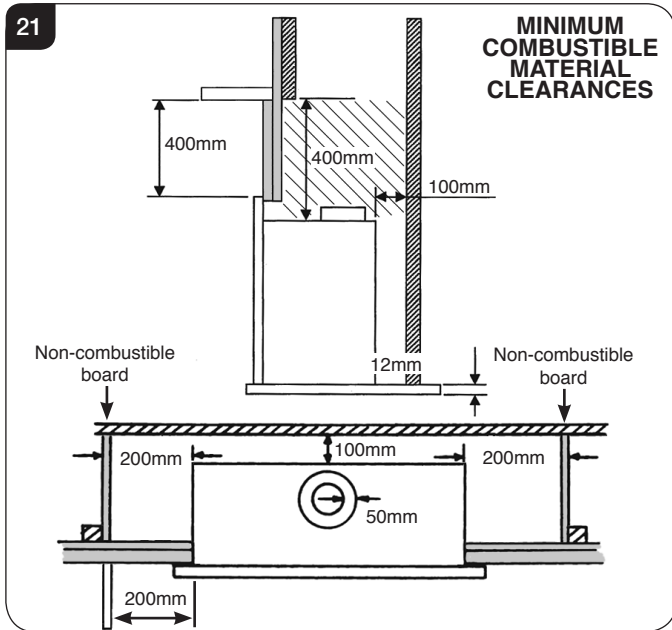
# Installation Instructions

## 8. Studwork Installation

### 8.1 DISTANCE TO COMBUSTIBLE MATERIAL

COMBUSTIBLE PARTS OF THE STUDWORK MUST BE KEPT BEYOND THE MINIMUM DIMENSIONS SHOWN IN DIAGRAM 21.

PROTECT THE NEAREST STUDWORK WITH NON-COMBUSTIBLE MATERIAL AND MAINTAIN THESE DIMENSIONS AT ALL TIMES, SEE DIAGRAM 21.

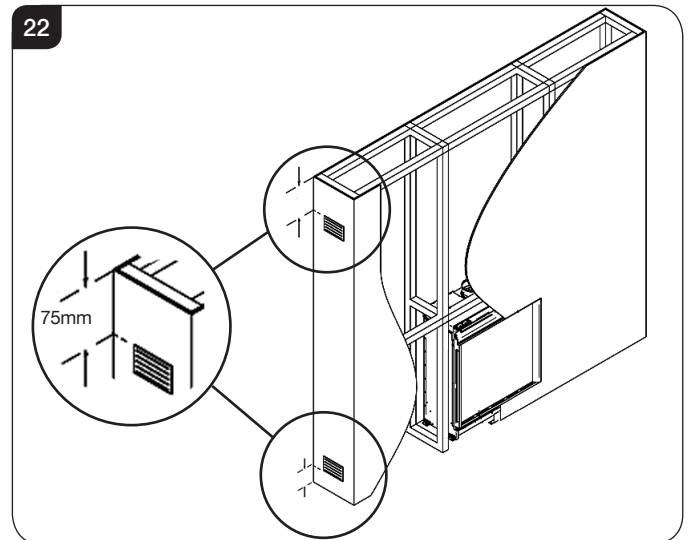


### 8.2 DISTANCE TO NON-COMBUSTIBLE OR COMBUSTIBLE MATERIAL

TO CREATE ENOUGH CLEARANCE FOR THE TOP VENTS TO OPEN. IT IS IMPORTANT THAT NO PART OF THE STUDWORK, (COMBUSTIBLE OR NOT,) IS BUILT WITHIN 400MM OF THE TOP OF THE BOX.

### 8.3 DO NOT PACK THE VOID AROUND OR ABOVE THE APPLIANCE WITH INSULATION MATERIALS SUCH AS MINERAL WOOL.

### 8.4 THE VOID BUILT FOR THE CASSETTE MUST BE VENTILATED TO PREVENT A BUILD-UP OF HEAT. IF THE VOID IS SEALED, THEN YOU MUST FIT VENTS AT BOTH LOW AND HIGH LEVELS OF A MINIMUM OF 50CM<sup>2</sup> EACH. THESE VENTS MUST TAKE COLD AIR FROM THE ROOM AND RETURN WARM AIR BACK INTO THE ROOM.



### 8.5 ALTERNATIVELY FOR THE HIGH VENTILATION THE ENCLOSURE CAN BE CONSTRUCTED TO LEAVE A GAP BETWEEN THE TOP OF THE WALL AND THE CEILING GIVING THE REQUIRED VENTILATION AREA OR GREATER.

### 8.6 AN ACCESS HATCH MUST BE LEFT IN THE SIDE OF THE CHIMNEY BREAST FOR FUTURE SERVICING AND INSPECTION OF THE FLUE AND APPLIANCE.

This installation is Top Exit only. Use only a rigid twin wall flue pipe.

### 8.7 There are 2 methods of installation into a studwork chimney:

8a. Edge finish Installation.

8b. Installation with a decorative front.

Carefully read the relevant section for the installation method required.

## 8a. Edge Finish Installation

8a.1 This method is designed so that non-combustible board can be taken right up to the edge of the flange of the appliance.

8a.2 Build the studwork chimney breast and enclosures to the desired size to include the protected platform at the required height.

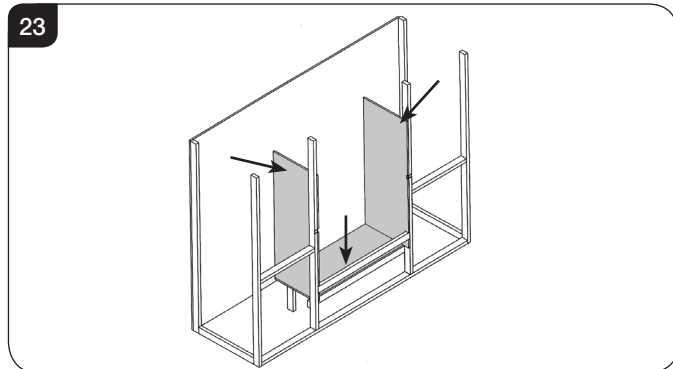
Ensure that the minimum 200mm distance to combustible studwork is maintained.



# Installation Instructions

- 8a.3 Line the aperture for the appliance with 12mm thick non-combustible material as shown, see Diagram 23.

Non-combustible board used to protect the studwork can line the aperture inside the 200mm clearance distance, see Diagram 23.

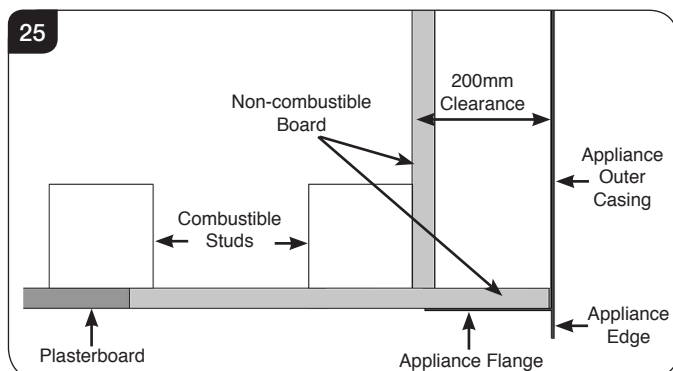
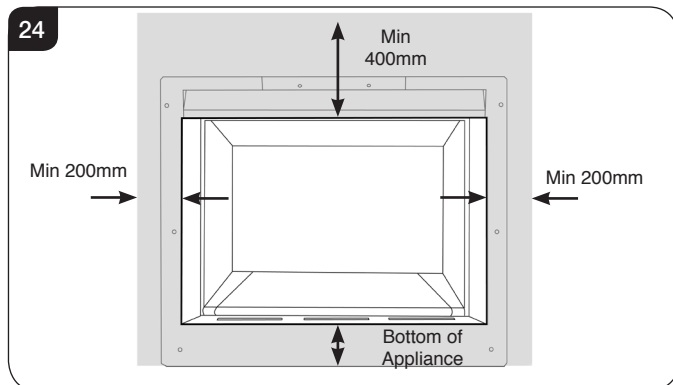


- 8a.4 Site the appliance and decide on flue requirements.

- 8a.5 Prepare the flue connection using the chosen method described in Section 2 Site Requirements ensuring that distances to combustible materials are maintained at all times.

Connect the flue and install the appliance into the aperture. At the same time ensure that the gas pipe passes through the silicon panel at the back of the appliance. Do not secure the appliance at this time.

- 8a.6 Fit non-combustible board to the studwork around the aperture. This should extend a minimum of 400mm above the appliance and at least 200mm to the sides of the appliance, see Diagram 24 and Diagram 25.

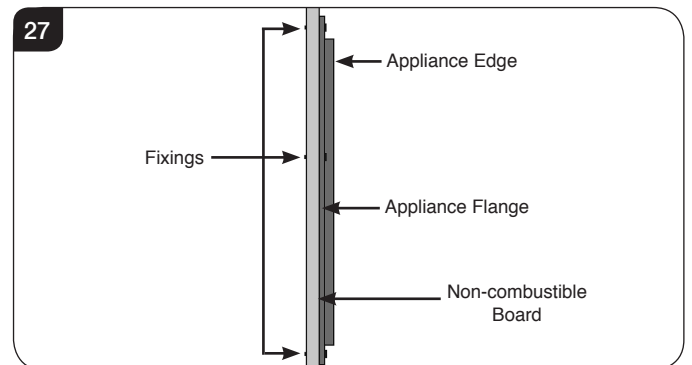
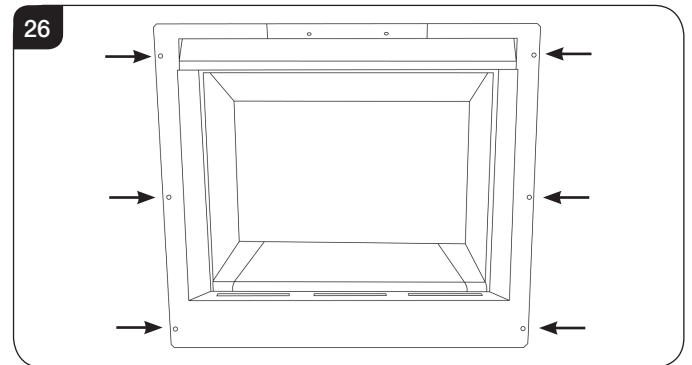


Ensure the clearances are maintained, see Diagram 21.

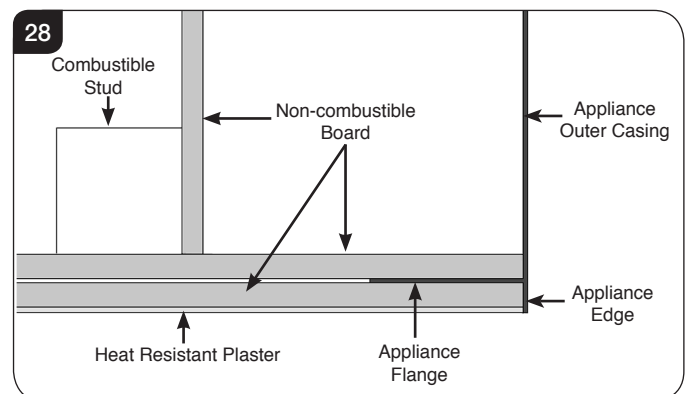
- 8a.7 Apply plasterboard to the remainder of the studwork.

- 8a.8 Fix the self adhesive foam seal around the back of the fixing flange of the appliance.

- 8a.9 Secure the appliance to the non-combustible board through the 6 fixing holes, using the anchor fixings provided, see Diagram 26 & 27.

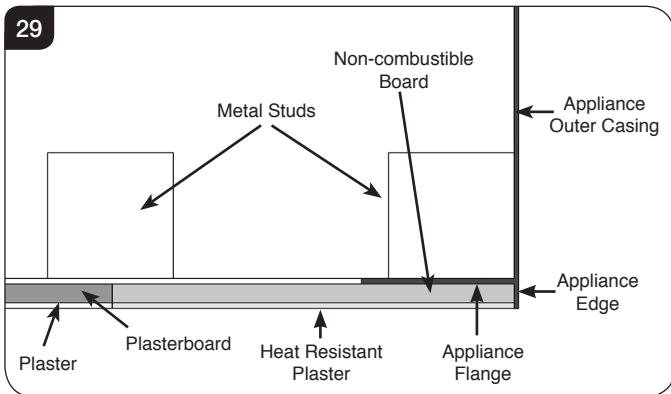


- 8a.10 Fit non-combustible board to the board around the appliance, see Diagram 28. Ensure distances to combustibles are observed, see Diagram 21.



# Installation Instructions

NOTE: If metal studwork is used, there is no need to fit non-combustible board to the face of the construction, see Diagram 29.



- 8a.11 Apply plasterboard to the remainder of the first layer of plasterboard.
- 8a.12 Apply a heat resistant plaster around the appliance, see Diagram 29. Ensure distances to combustibles are observed, see Diagram 21.
- 8a.13 Apply a plaster finish to the remaining plasterboard.

To finish installation see 8.8.

## 8b. Installation with a Decorative Front

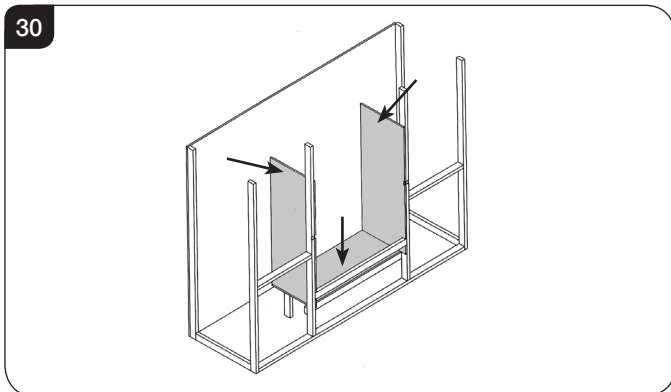
### Mantels, Hearths & Slips

**If fitting this appliance with a decorative surround it will be necessary to install the appliance with a Hearth and Slip set.**

**The hearth must have a minimum depth of 225mm. It is essential to ensure that a height of 123mm is maintained from the finished floor to the bottom edge of the viewing area.**

**Read these instructions in conjunction with the manual supplied before installation.**

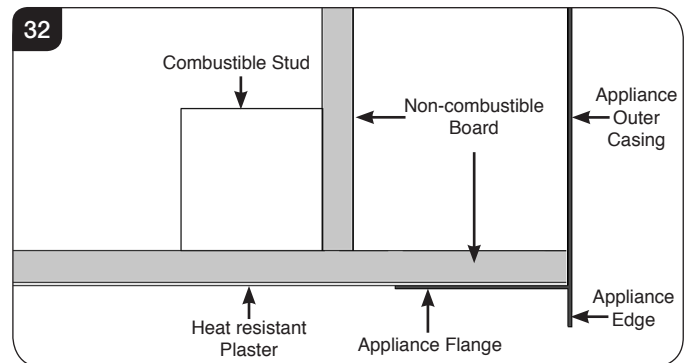
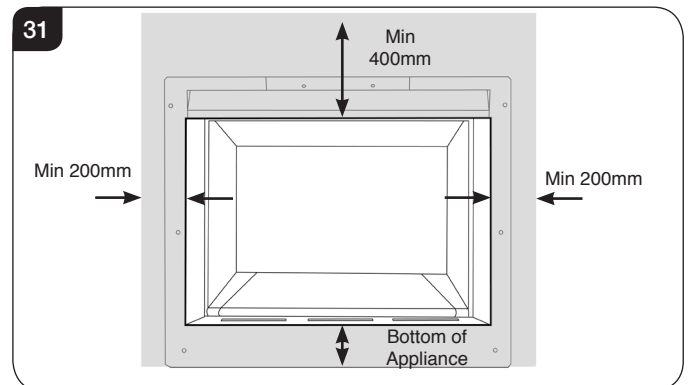
- 8b.1 Build the studwork chimney breast and enclosures to the required size to include the protected platform at the desired height.
- 8b.2 Line the aperture for the appliance with 12mm thick non-combustible material as shown, see Diagram 30.



- 8b.3 Site the appliance and decide on flue requirements.
- 8b.4 Prepare the flue connection using the chosen method described in Section 2 Site Requirements ensuring that distances to combustible materials are maintained at all times.

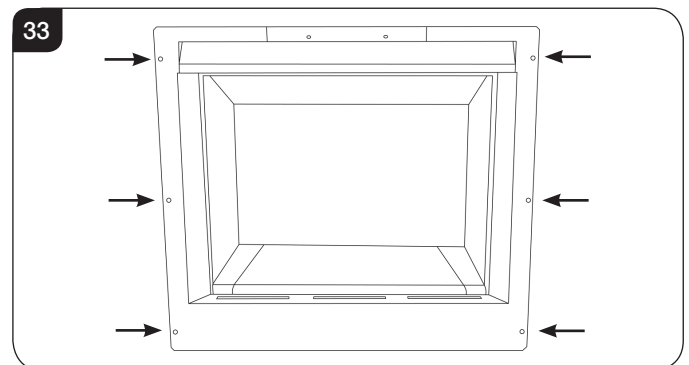
Connect the flue and install the appliance into the aperture. At the same time ensure that the gas pipe passes through the silicon panel at the back of the appliance. Do not secure the appliance at this time.

- 8b.5 Fit non-combustible board to the studwork around the aperture. This should extend a minimum of 400mm above the appliance and at least 200mm to the sides of the appliance, see Diagram 31 and Diagram 32.

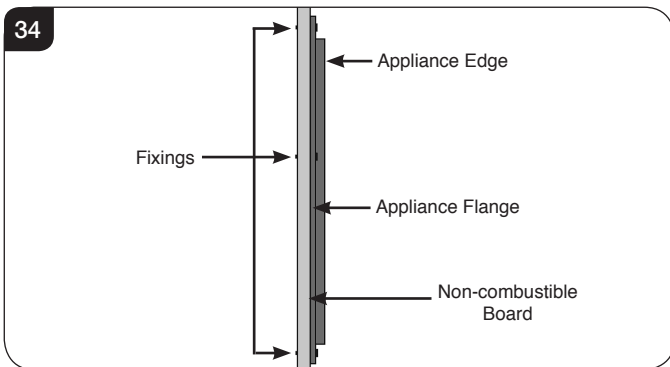


Ensure the clearances are maintained, see Diagram 21.

- 8b.6 Apply plasterboard to the remainder of the studwork and plaster the front face of the board.
- 8b.7 Secure the appliance to the non-combustible board through the 6 fixing holes, using the anchor fixings provided, see Diagram 33 & 34.



# Installation Instructions



8b.8 Install the decorative front referring to separate installation instructions.

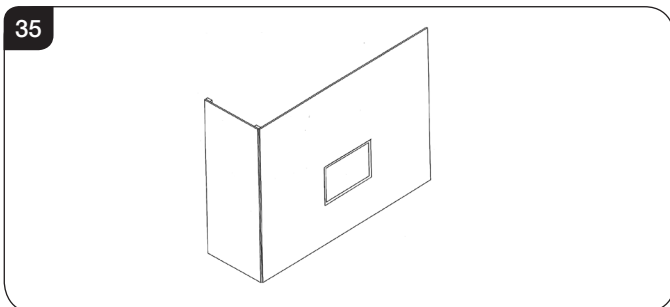
To finish installation see 8.8.

## To Finish the Installation

### After commissioning:

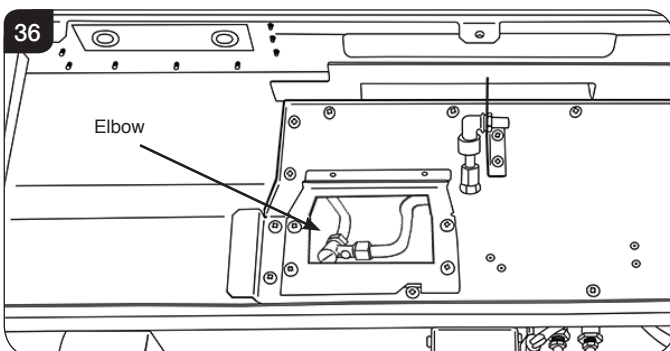
8.8 Finish the sides of the chimney breast, see Diagram 35.

A removable access hatch must be left in the side of the chimney breast for future servicing and inspection of the appliance.



## 9. Gas Soundness Pressure Check

9.1 Connect a suitable pressure gauge to the test point located on the inlet fitting. Replace the main burner, see Section 10 and turn the gas supply on. Light the appliance and check all gas joints for possible leaks. Turn the appliance to maximum and check that the supply pressure is as stated on the databadge. Turn the appliance off and remove the main burner. Replace the test point screw and check the test point for leaks. Replace the main burner, see Section 10.



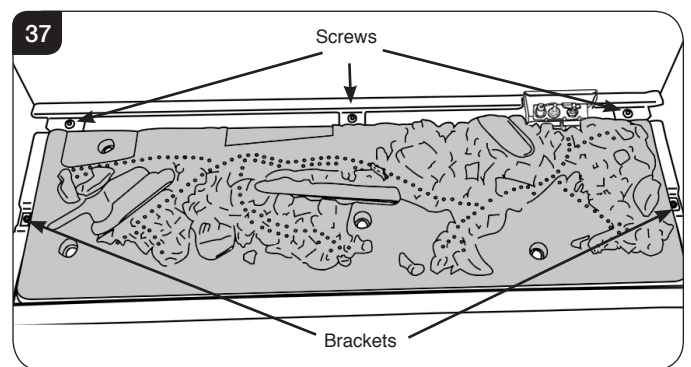
Check the function of the handset, if there is no communication between the remote control and the appliance, see Commissioning Section.

## 10. Fitting the Main Burner

10.1 Carefully lower the burner unit into the appliance. Push slightly towards the back and slide to the left, ensuring the venturi engages with the main injector. Pull the burner as far forward as possible.

Take care not to damage the pilot unit.

10.2 Ensure that the gaps between the front of the firebox and the burner tray are equal before replacing the 3 screws at the back of the burner tray and the 2 side brackets, see Diagram 37.



Check the pilot ensuring it is free from any debris.

## Advice on handling and disposal of fire ceramics



The fuel effect and side panels in this appliance are made from Refractory Ceramic Fibre (RCF), a material which is commonly used for this application.

Protective clothing is not required when handling these articles, but we recommend you follow normal hygiene rules of not smoking, eating or drinking in the work area and always wash your hands before eating or drinking.

To ensure that the release of RCF fibres are kept to a minimum, during installation and servicing a HEPA filtered vacuum is recommended to remove any dust accumulated in and around the appliance before and after working on it. When servicing the appliance it is recommended that the replaced items are not broken up, but are sealed within heavy duty polythene bags and labelled as RCF waste.

RCF waste is classed as stable, non-reactive hazardous waste and may be disposed of at a licensed landfill site.

Excessive exposure to these materials may cause temporary irritation to eyes, skin and respiratory tract; wash hands thoroughly after handling the material.

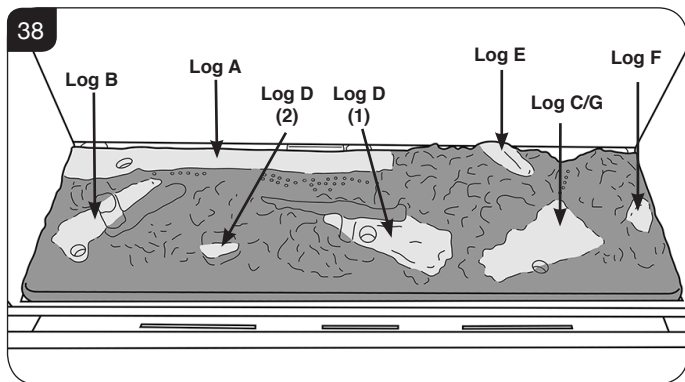
# Installation Instructions

## 11. Arrangement of Fuel Bed Components

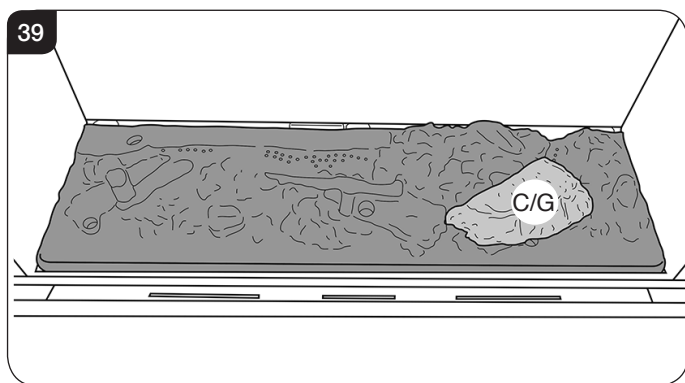
**LOGS MUST BE POSITIONED ACCORDING TO THE FOLLOWING INSTRUCTIONS TO GIVE THE CORRECT FLAME EFFECT.**

- 11.1 Ensure the burner tray is clean and free from any debris.
- 11.2 The logs for the fuel bed are clearly individually labelled.
- 11.3 The burner tray has specific location points for each log, see highlighted areas in Diagram 38.

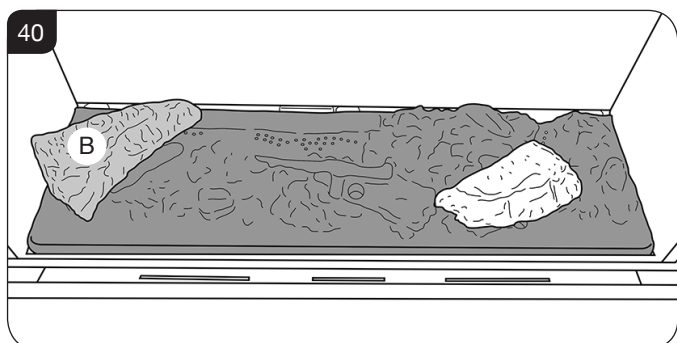
**Note: There is a change to one of the logs depending on whether the appliance uses Natural Gas or LPG. Natural Gas has the complete set A-F sequentially. LPG has Log G instead of C. Ensure that you have the right log for the gas type used.**



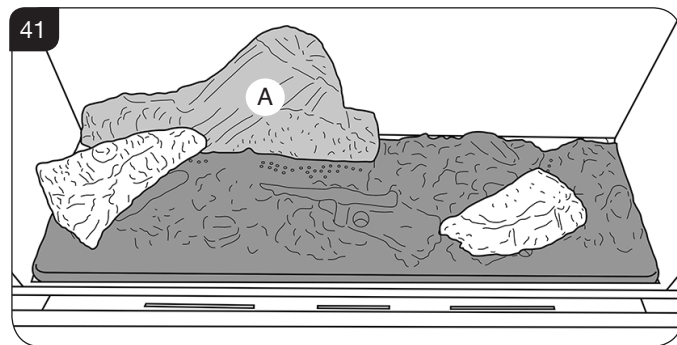
- 11.4 Place log C (Nat Gas) or G (LPG) on the right hand side of the burner, see Diagram 20. The log will rest on the flat location point shown in Diagram 39.



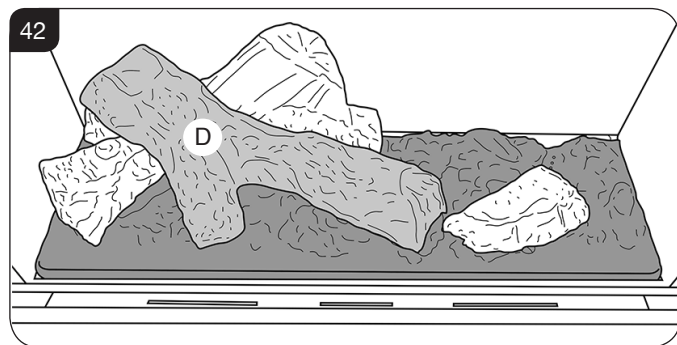
- 11.5 Place log B on the left hand side of the burner, see Diagram 40. The log will rest on the flat location point shown in Diagram 38.



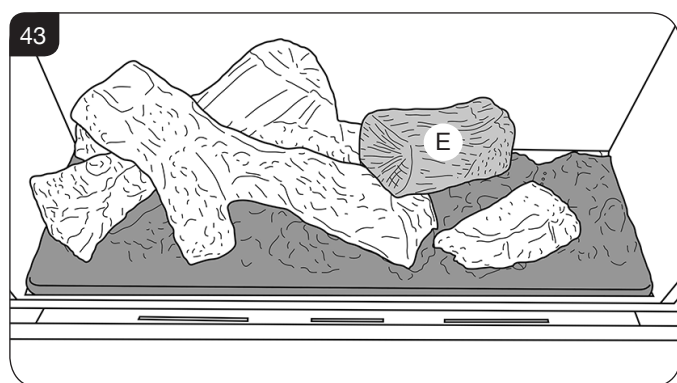
- 11.6 Place log A behind log B. The log will rest on the flat location plain shown in Diagram 38 with the left side against the left liner and the back against the rear liner, see Diagram 41.



- 11.7 Position the right hand end of log D on the flat location plain on the burner, as shown in Diagram 38, Log D (1). Rest the left hand end of the log across log B, see Diagram 42. Ensure that the front branch rests in the location point on the burner, as shown in Diagram 38, Log D (2).

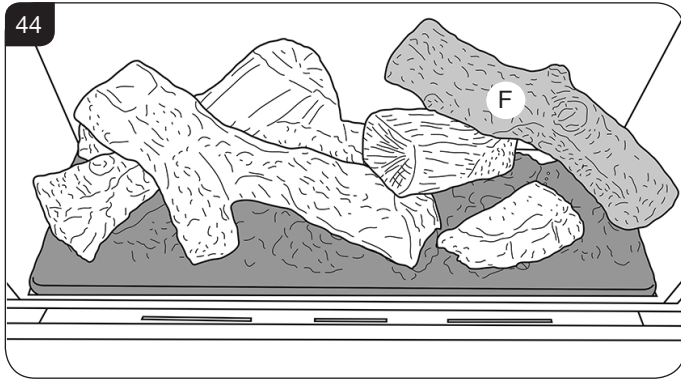


- 11.8 Position the charred end of log E on the location point on the burner, as shown in Diagram 38, with the log touching the back liner. The front end of the log should rest across the right hand end of log D, see Diagram 43.



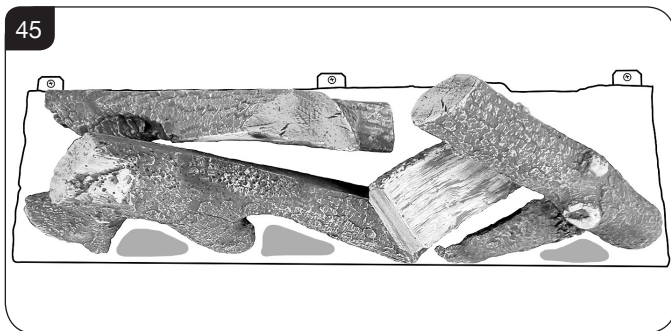
# Installation Instructions

- 11.9 Position the right hand end of log F on the location point on the burner, see Diagram 38. Rest the left hand end of the log across the back end of log E, see Diagram 44. The back edge of log F should rest against the back liner.



- 11.10 Separate the Embaglow material into smaller pieces and pull into shape to create a fine layer.

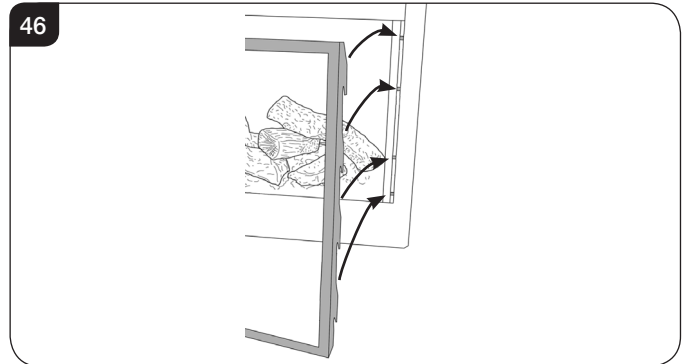
- 11.11 Place the pieces of Embaglow between the logs in the highlighted areas shown in Diagram 45. Ensure the material is placed loosely between the logs to create a random glow.



## 12. Completion of Assembly

**Ensure that the fibreglass seal on the back of the glass frame is intact.**

- 12.1 To replace the glass frame, position so the hooks on the back of the frame fit over the side pins, see Diagram 46.



- 12.2 Push the handle down.
- 12.3 Replace the screws. As the screws are tightened the glass frame is pulled down against the hooks and forms a seal. **Replace ALL of the securing screws ensuring that a screw is present in all fixing slots.**



**UNDER NO CIRCUMSTANCES SHOULD THE APPLIANCE BE USED IF ANY OF THE GLASS FRAME RETAINING SCREWS ARE LOOSE OR MISSING.**

- 12.4 Connect the battery lead to the battery pack attached to the lower slotted trim.



**PLEASE ENSURE NO WIRES ARE TRAPPED BEFORE REPLACING THE LOWER SLOTTED TRIM. THE LEADS ARE EASILY DAMAGED.**

- 12.5 Replace the lower trim, ensuring that the angled metal shield is sloping towards the door frame.

- 12.6 Replace the 2 magnetic side trims.

**NEVER OPERATE THE APPLIANCE WHEN THE GLASS PANEL IS REMOVED OR BROKEN.**

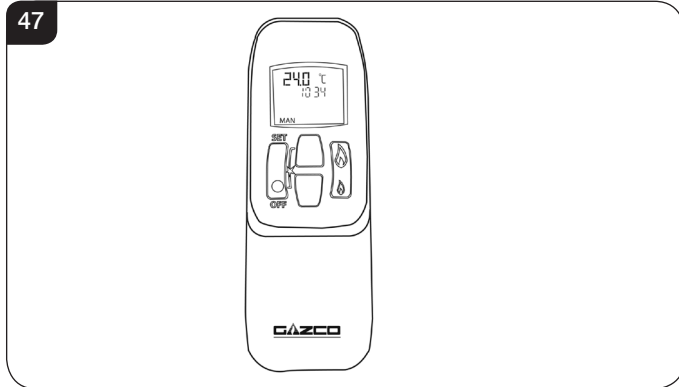
- 12.7 Replace the decorative front by referring to the separate leaflet supplied with the front.

**NOTE: ENSURE THAT THE LOGS ARE POSITIONED AS ABOVE. ONLY USE THE CORRECT AMOUNT OF LOGS AS SPECIFIED IN THE DIAGRAMS.**

# Installation Instructions

## 13. Lighting the Appliance

The appliance is operated by thermostatic remote control.



This remote controls the appliance from pilot ignition through to shut down.

In 'MANUAL MODE' you can:

- light the pilot
- turn on the main burner
- regulate the flame from low to high and back
- turn off the burner leaving just the pilot burning

In 'TEMP MODE' you can:

- set the room temperature so the stove automatically maintains that temperature

In 'TIMER MODE' the fire:

- turns on and off according to the set time periods
- automatically regulates the room temperature during the set periods

### 13.1 Turning the appliance On

Your remote can control the gas fire from pilot ignition through to shut down.

To turn the fire on press the OFF button and the UP button simultaneously. You hear several short signals.

**The pilot and main burner ignite and the remote is now in Manual Mode:**

#### Turning the appliance Off:

Press the OFF button to turn the appliance off  
FOR SAFETY, YOU MUST WAIT 30 SECONDS BEFORE LIGHTING THE FIRE AGAIN.

**i** **IMPORTANT: YELLOW FLAMES TYPICALLY APPEAR WHEN THE APPLIANCE HAS REACHED NORMAL OPERATING TEMPERATURE. THIS CAN TAKE UP TO 30 MINUTES.**

**!** **WARNING: IF THE APPLIANCE FAILS TO LIGHT OR BECOMES EXTINGUISHED IN USE, WAIT 3 MINUTES BEFORE ATTEMPTING TO RELIGHT.**

**FOR FULL OPERATING INSTRUCTIONS AND TROUBLESHOOTING SEE USER SECTION.**



## 1. Commissioning

- 1.1 Complete the Commissioning Checklist at the front of this manual covering:
- Flue checks
  - Gas checks
  - Log layout - flame picture
- For working pressure test, use the access panel at the gas connection ensuring the burner is in position. Refer to Installation Instructions, Section 9.
- 1.2 Ensure all safety checks listed in the Commissioning Section are completed, paying particular attention to the glass panel checks and securing of the glass frame.
- 1.3 Upon completion of the commissioning and testing of the installation and correct operation of the appliance, the installer must instruct the user how to operate the appliance.
- 1.4 Guide the user through the User Instructions paying particular attention to:
- a) Regular servicing (Section 9 of the User Instructions).
  - b) Ventilation (Section 10 of the User Instructions) - point out the ventilation positions where applicable.
  - c) Hot surfaces (Section 12 of the User Instructions).
  - d) How the appliance works with the remote control handset and the modes of operation (Section 2 of the User Instructions).
  - e) How to change settings in the auto mode and program modes of operation.
  - f) What to do if the appliance fails to operate (Section 13 of the User Instructions).

### Reprogramming handset/Control box

To access the control box see Servicing Instructions, Section 5 - Main Control Assembly.

- Press and hold the reset button on the control box until you hear two signals. After the second longer signal:
- Release the reset button and within 20 seconds:
- Press the DOWN button on the handset until you hear two additional short signals confirming the new code is set. If there is a single long signal the code learning sequence has failed or the wiring is incorrect.

# Servicing Instructions

## Servicing/Fault Finding Charts

### 1. Servicing Requirements

**IMPORTANT – The glass panel on this appliance should be checked for any signs of damage on the front face of the glass panel (scratches, scores, cracks or other surface defects). If damage is observed, the glass panel must be replaced and the appliance must not be used until a replacement is installed. Under no circumstances should the appliance be used if any damage is observed. Please isolate the appliance until a replacement glass panel has been obtained and installed. Replacement glass panels can be purchased from Gazco via the retailer from which the appliance was purchased or any other Gazco distributor.**

This appliance must be serviced at least once a year by a competent person.

All tests must be carried out in accordance with the current GasSafe recommendations.

#### 1.1 Before Testing:

- Conduct a gas soundness test for the property ensuring there are no leaks before servicing.
- Check the operation of the appliance before testing.

#### 1.2 Special checks:

- Clean the burner using a vacuum cleaner with a soft brush attachment. Ensure all debris is removed from the burner ports.
- Clean away lint or fluff from the pilot.
- Clean away lint or fluff from under the burner.
- Check the spark gap on the pilot is correct.
- Check that the Pilot ignites correctly and Main Burner cross lights smoothly.
- Ensure that the glass frame is secured correctly and that all retaining screws are in place.

- 1.3 Correct any faults found during the initial test.
- 1.4 Re-commission the appliance in accordance with Commissioning Procedures of these instructions.
- 1.5 Advise the customer of any remedial work undertaken.

**REPLACE BATTERIES BEFORE ATTEMPTING TO RECTIFY ANY FAULTS.**

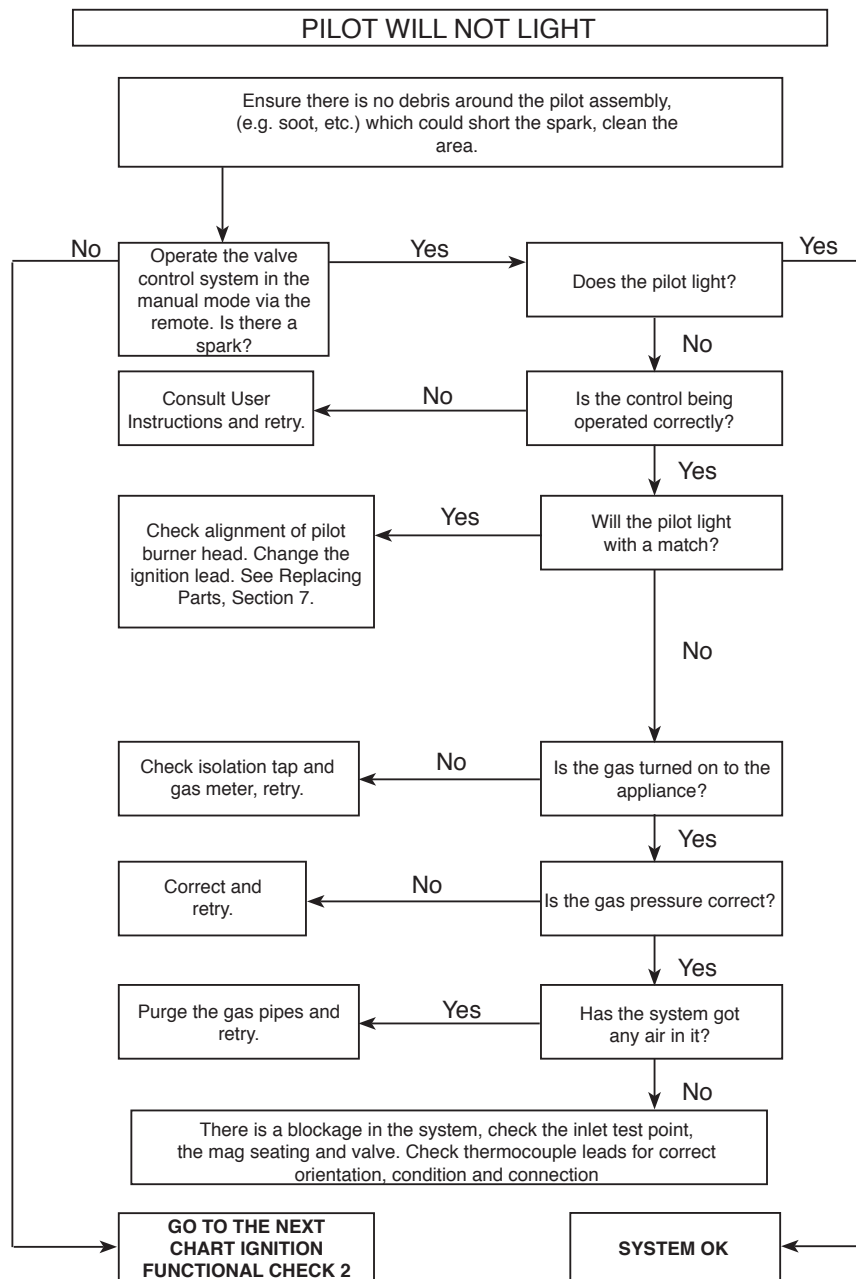
#### ELECTRONIC CONTROL VALVE FAULT ANALYSIS

Symptom	Cause	Remedy
Frequent beeps for 3 seconds after operation request	Batteries low in appliance	Replace appliance batteries
No ignition, 5 second continuous tone (there may be several short beeps before)	Loose/damaged wire	Check interrupter block and wires
No ignition, no tone, motor turns slightly when operated	Receiver board damaged	Replace receiver
No pilot flame and control continues to spark	Thermocouple circuit wired incorrectly	Correct wiring
Pilot lights, control continues to spark, valve shuts down after 10 - 30 seconds	1. No spark at pilot burner 2. Loose/damaged wire	1. Rectify spark at pilot burner 2. Check interrupter and wires

# Servicing Instructions

## Servicing/Fault Finding Charts

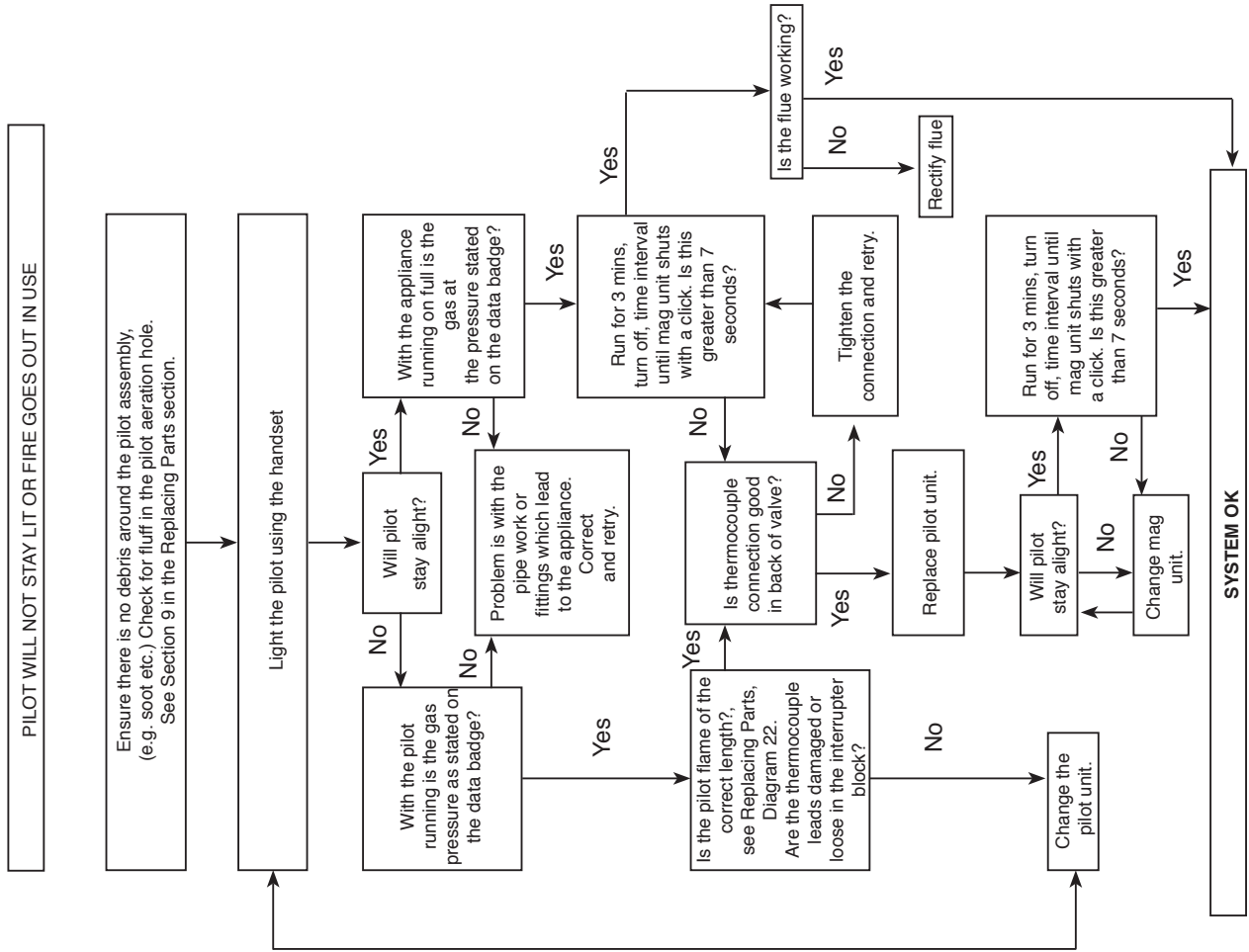
### IGNITION FUNCTIONAL CHECK 1



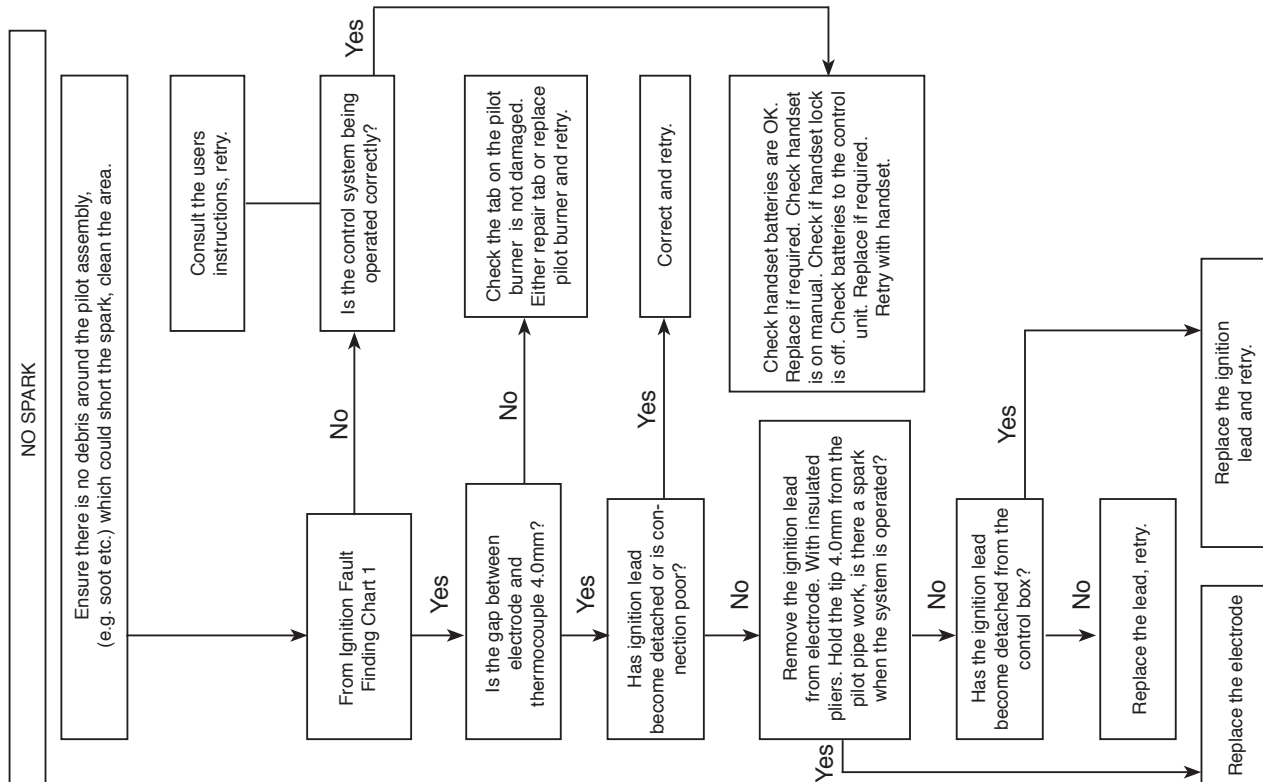
# Servicing Instructions

## Fault Finding Charts

### FLAME FAILURE FUNCTIONAL CHECK 3



### IGNITION FUNCTIONAL CHECK 2



# Servicing Instructions - Replacing Parts

## 1. General

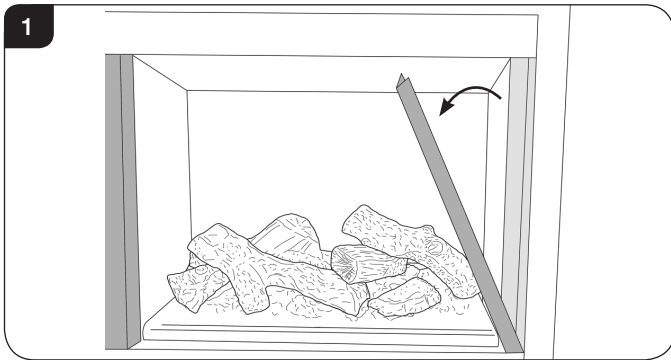
- 1.1 All main components can be replaced without removing the appliance from its installation.

**IT IS ESSENTIAL THAT THE GAS SUPPLY TO THE APPLIANCE IS TURNED OFF AT THE ISOLATION DEVICE BEFORE PROCEEDING FURTHER.**

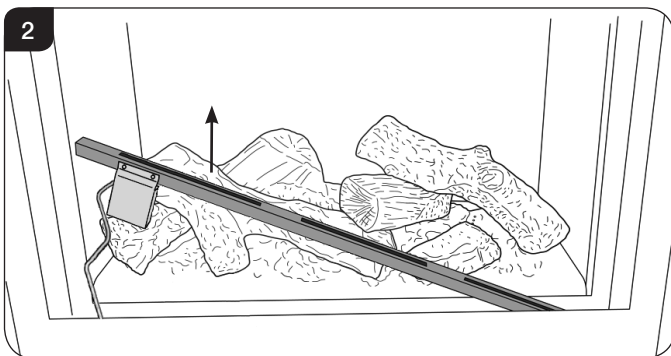
- 1.2 It will be necessary to remove the complete burner module before any of the components can be serviced.

## 2. Removing the Glass Frame

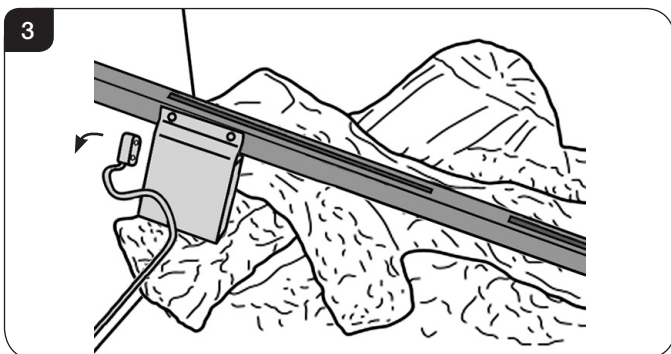
- 2.1 Make sure the appliance and surrounds are cool before cleaning.
- 2.2 Remove the glass frame by removing the 2 side trims, see Diagram 1. These are held on by magnets.



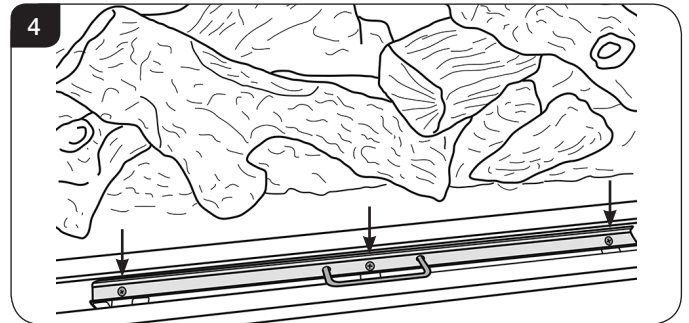
- 2.3 Lift out the bottom Slotted Trim, see Diagram 2. Note the orientation of the metal shield for reassembly.



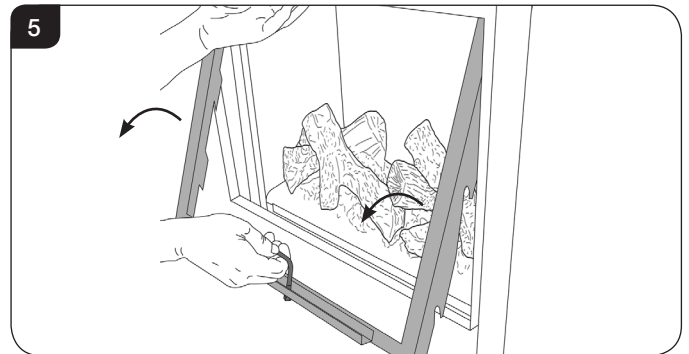
- 2.4 Disconnect the battery lead from the Battery Pack attached to the lower slotted trim, see Diagram 3.



- 2.5 Remove the 3 screws at the base of the door, see Diagram 4.



- 2.6 Pull up the handle at the front, see Diagram 4.
- 2.7 Whilst supporting the top, lift the door using the handle, up and over the lower edge, see Diagram 5.



- 2.8 Remove the Logs, and place them on a dry, clean surface.

**When refitting the Glass Frame ensure that the Rope Seal on the back of the frame is intact.**

- 2.9 To replace the Glass Frame, position so the hooks on the back of the frame fit over the side pins, see Diagram 5.
- 2.10 Push the handle down.
- 2.11 Replace the screws. As the screws are tightened the glass frame is pulled down against the hooks and forms a seal. **Replace ALL of the securing screws ensuring that a screw is present in all fixing slots.**



**UNDER NO CIRCUMSTANCES SHOULD THE APPLIANCE BE USED IF ANY OF THE GLASS FRAME RETAINING SCREWS ARE LOOSE OR MISSING.**

- 2.12 Connect the Battery Lead to the Battery Pack attached to the lower Slotted Trim.



**PLEASE ENSURE NO WIRES ARE TRAPPED BEFORE REPLACING THE LOWER SLOTTED TRIM. THE LEADS ARE EASILY DAMAGED.**

- 2.13 Replace the lower trim, ensuring that the angled metal shield is sloping towards the door frame.
- 2.14 Replace the 2 magnetic side trims.

**NEVER OPERATE THE APPLIANCE WHEN THE GLASS PANEL IS REMOVED OR BROKEN.**

- 2.15 The Glass Frame must be refitted to the appliance following cleaning or servicing.

# Servicing Instructions - Replacing Parts

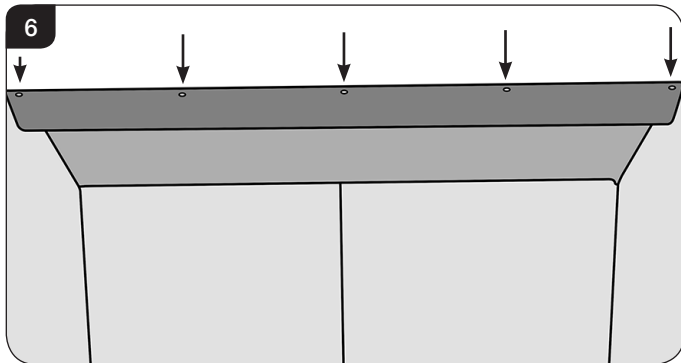
## 3. Baffle & Liners

3.1 To access the burner tray and interior workings of the appliance it is necessary to remove the Baffle and the Liners.

### BAFFLE

The Baffle must be removed before the Liners can be taken out of the appliance.

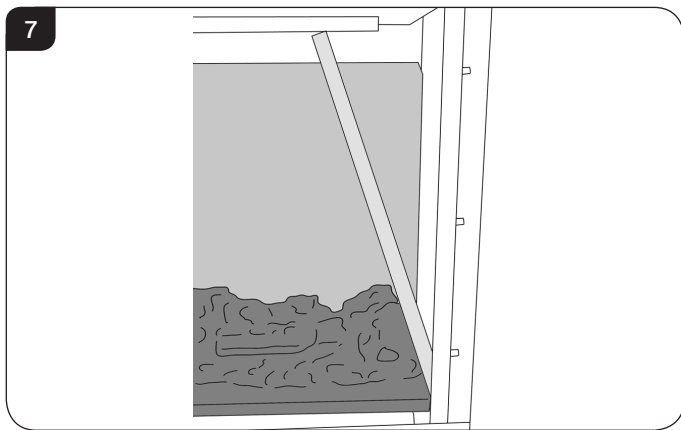
3.2 To do this undo the 5 screws securing it to the roof of the firebox, see Diagram 6.



3.3 The Baffle can now be removed by lowering the front edge and pulling forward through the front of the appliance. **TAKE CARE NOT TO DAMAGE THE SIDE PANELS.**

### VERMICULITE/ BLACK REEDED LINERS

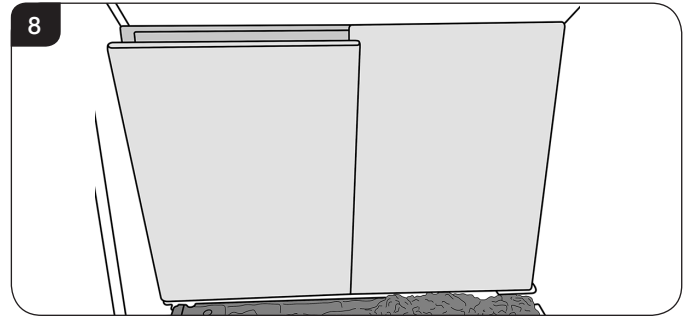
3.4 To remove the right hand Liner tilt the top inwards towards the centre of the firebox, lift and angle through the front of the appliance, see Diagram 7.



3.5 Repeat with the other side.

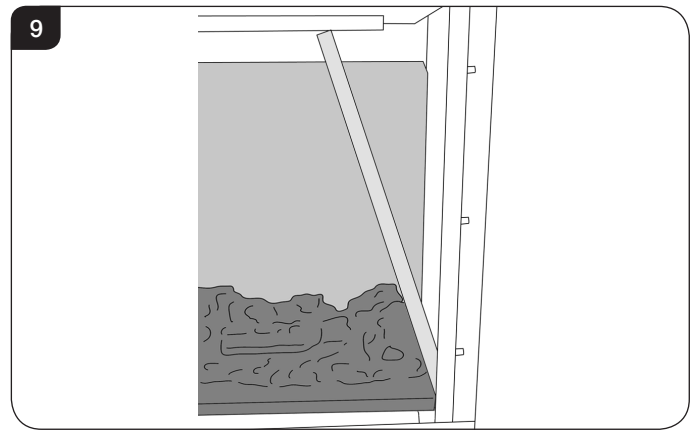
3.6 The Side Liners support the 2 piece Back Liner. Ensure the back liners are supported when the sides are removed.

3.7 Tip the Back Liners forward into the firebox and angle to remove, see Diagram 8.



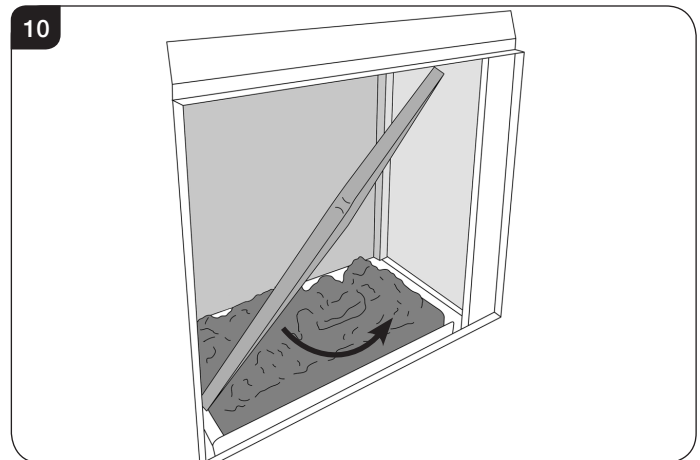
### BRICK EFFECT/ LEDGESTONE LINERS

3.8 To remove the right hand Liner tilt the top inwards towards the centre of the firebox, lift and angle through the front of the appliance, see Diagram 9.



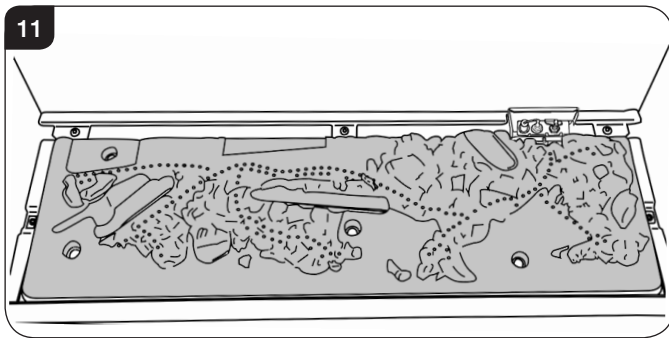
3.9 Repeat with the other side.

3.10 Lean the top of the panel forward, lift and twist slightly to allow removal through the front of the appliance, see Diagram 10.



# Servicing Instructions - Replacing Parts

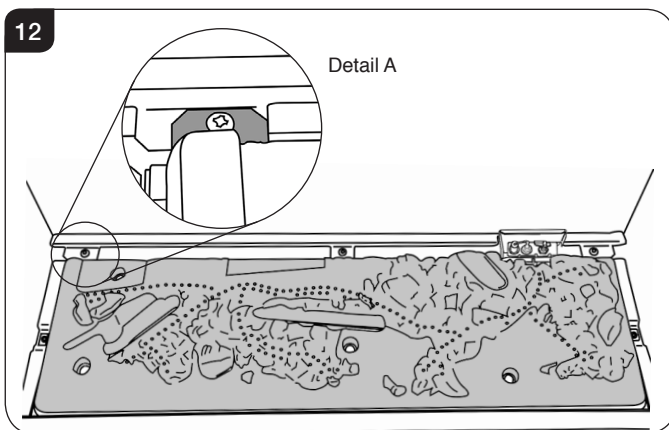
- 3.11 With the Liners and Baffle removed the firebox is clear for cleaning and maintenance, see Diagram 11.



- 3.12 To replace the Liners and Baffle reverse these procedures.

## 4. Main Burner

- 4.1 To remove the decorative front from the appliance please refer to the separate instructions supplied with the front.
- 4.2 Remove the Glass Frame, see Section 2.
- 4.3 Remove the Logs, and place them on a dry, clean surface.
- 4.4 Remove the Baffle and Liners, see Section 3.
- 4.5 Remove the 3 screws at the back of the Burner Tray, and the 2 side brackets, see Diagram 12, Detail A.  
**TAKE CARE NOT TO DAMAGE THE FUELBED WHEN REMOVING THE SCREWS.**



- 4.6 Slide the Burner Tray to the right, pull slightly forward and lift from the back. Carefully remove through the front of the appliance. Place carefully to one side.

The Burner Unit can now be serviced.

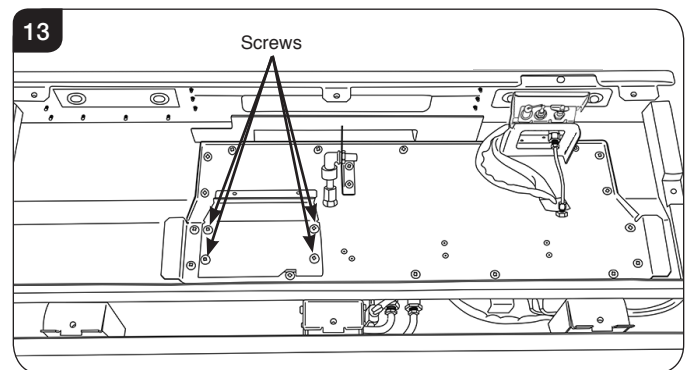
Check that the Pilot is free from debris.

- 4.7 Refit in reverse order, ensuring the Venturi engages with the Main Injector. Pull the Burner as far forward as possible and lock with screws.

Take care not to damage the pilot bracket.

## 5. Main Control Assembly

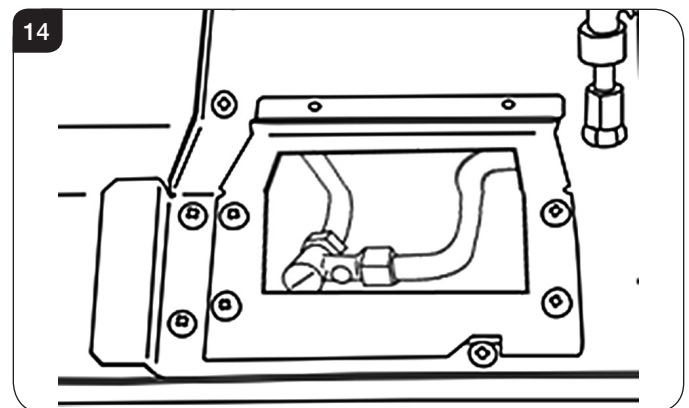
- 5.1 As a safety precaution remove the batteries from the Battery Holder, see User Section 3.
- 5.2 Remove the Glass Frame, see Section 2.
- 5.3 Remove the Main Burner, see Section 4.
- 5.4 Remove the 4 screws to remove the Access Plate, see Diagram 13.



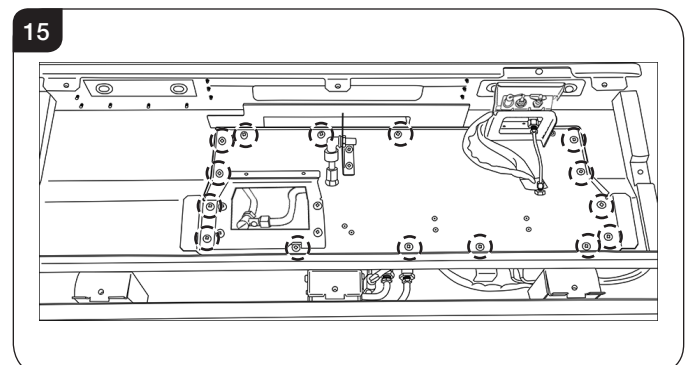
- 5.5 Turn the gas supply off at the isolation device.

### HAVE YOU ISOLATED THE GAS SUPPLY?

- 5.6 Disconnect the isolating device from the appliance inlet pipe to isolate the gas supply, see Diagram 14.



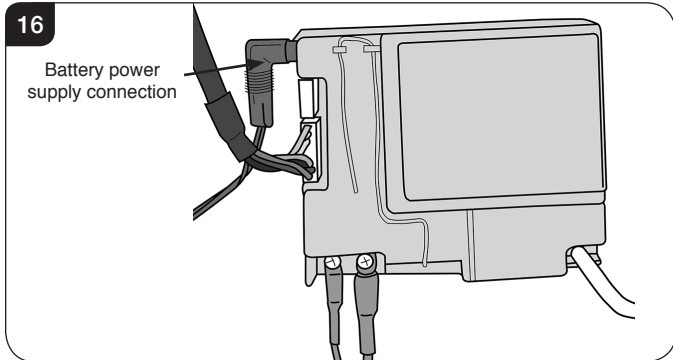
- 5.7 Remove the 15 screws securing the control assembly, see Diagram 15.





# Servicing Instructions - Replacing Parts

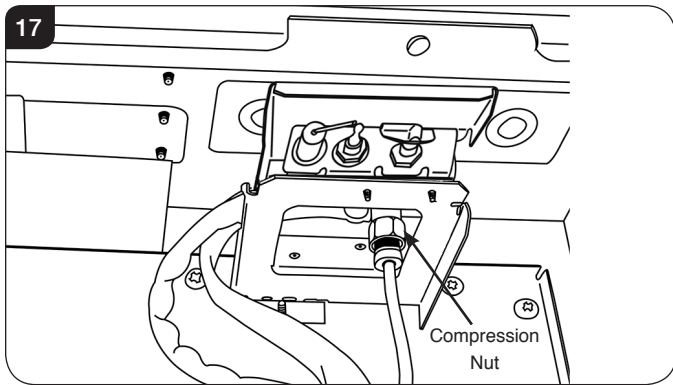
- 5.8 Lift the back of the Control Assembly and tilt forward to enable access to the controls.
- 5.9 Disconnect the Battery Supply Cable from the control unit.



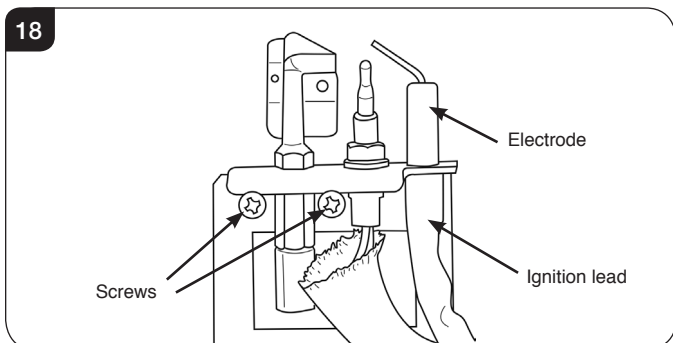
- 5.10 The Control Assembly can now be lifted and removed through the front of the appliance.
- 5.11 Replace in reverse order.

## 6. Pilot Unit Assembly

- 6.1 The Pilot Assembly is a complete unit and needs to be replaced as a unit.
- 6.2 Remove the Main Burner and the Main Control Assembly, see Sections 4 and 5.
- 6.3 Undo the compression nut from the Pilot Pipe, see Diagram 17.

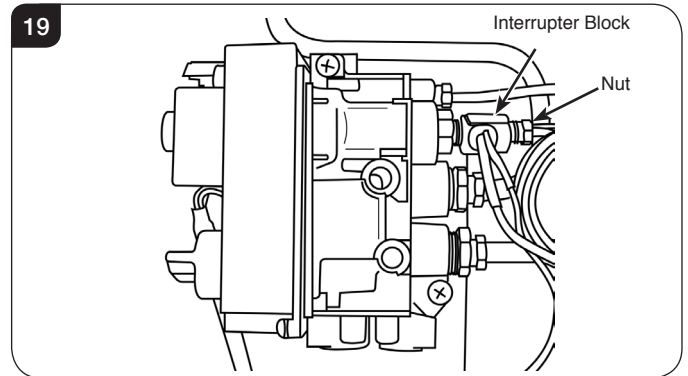


- 6.4 Remove the Ignition Lead from the Electrode, see Diagram 18.
- 6.5 Undo the 2 retaining screws from Pilot Unit Bracket, see Diagram 18.

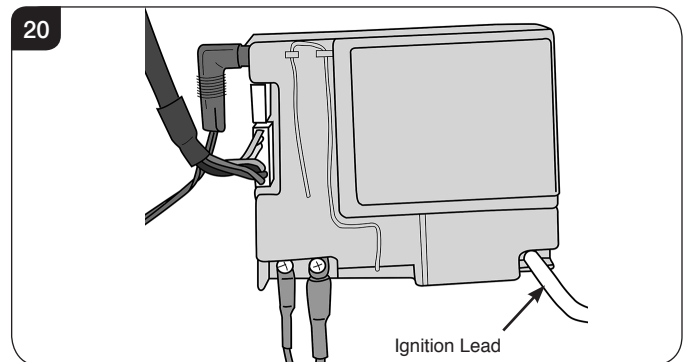


**IMPORTANT** The Ignition Lead and the Thermocouple need to be removed at the same time regardless of which needs to be replaced.

- 6.6 Unplug the Ignition lead from the Electrode and undo the brass nut to remove the Thermocouple from the Pilot Burner Unit, see Diagram 19.
- 6.7 Undo the brass nut from the back of the Interrupter Block to disconnect the Thermocouple, see Diagram 19.



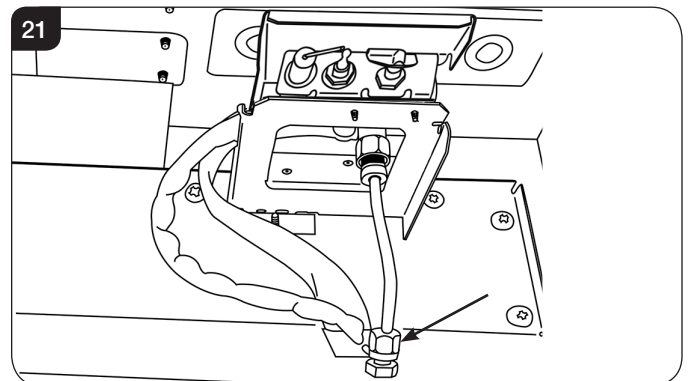
- 6.8 Unplug the Ignition Lead from the Control Box, see Diagram 20.



- 6.9 Carefully cut cable ties from the Vidaflex.

**IMPORTANT** Ensure not to cut the cables.

- 6.10 Remove screw and sealant from plate, see Diagram 21.



- 6.11 Feed Ignition Lead and Thermocouple complete with Vidaflex through metal plate
- 6.12 Withdraw Ignition Lead and Thermocouple from Vidaflex sleeve. THIS MUST BE KEPT AND ASSEMBLED ON THE NEW LEAD. A CABLE TIE MUST ALSO BE USED TO RETAIN THE SLEEVE.

# Servicing Instructions - Replacing Parts

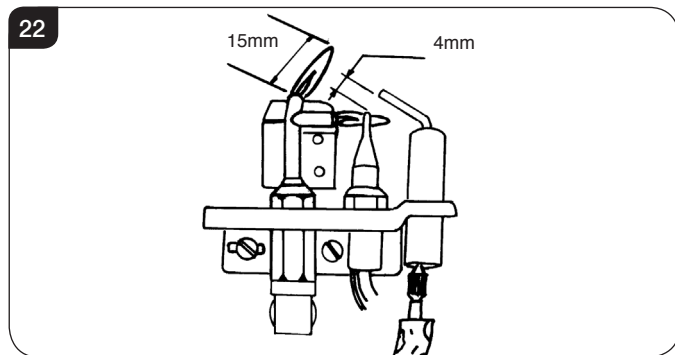
**IMPORTANT** The cables must follow the same route when they are replaced

6.13 When replacing the cover plate ensure silicone sealant is used to seal the aperture.

6.14 The cable can only be fitted on way round, ensure this is correct when refitting a replacement.

**IMPORTANT** Ensure that the red end of the Ignition Cable is reconnected to the electrode.

6.15 Set the spark gap, see Diagram 22.



## 7. Ignition Lead

**IMPORTANT:** The Ignition lead and the Thermocouple need to be removed at the same time regardless of which needs to be replaced.

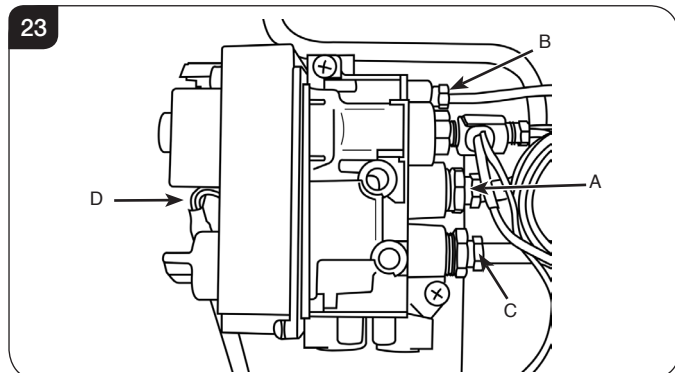
See Section 6.

## 8. Gas Valve

To change the gas valve:

8.1 Remove the Main Burner and the Main Control Assembly, see Sections 4 & 5.

8.2 Release the Gas Inlet Pipe, see Diagram 23, Arrow A.



8.3 Remove the Thermocouple from the Interrupter Block.

8.4 Release the Pilot Pipe, see Diagram 23, Arrow B.

8.5 Release the Gas Outlet Pipe, see Diagram 23 Arrow C.

8.6 Remove the Eight Wire Loom, see Diagram 23, Arrow D.

8.7 Remove the two screws securing the Valve to the support bracket and withdraw the Valve.

8.8 Replace in reverse order.

## 9. Magnetic Safety Valve

To replace the Magnetic Safety Valve:

9.1 Undo the Thermocouple from the Interrupter Block and remove the two Interrupter Leads.

9.2 Unscrew the Interrupter Block from the back of the Valve.

9.3 Undo the silver Magnetic Valve retaining nut on the back of the valve.

9.4 Gently tap out the Mag Valve.

9.5 Replace with a new unit.

9.6 Reassemble in reverse order ensuring that the interrupter leads are connected correctly with the blue tag lead furthest away from the gas valve body.

## 10. Control Box

10.1 Remove the Main Burner and the Main Control Assembly, see Sections 4 & 5.

10.2 Remove the 2 Thermocurrent Cables by removing the 2 screws, see Diagram 24.

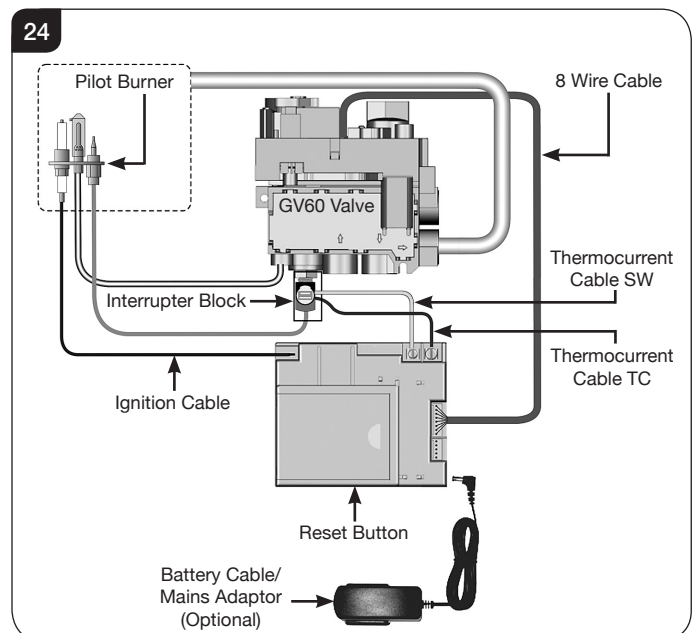
10.3 Remove the Ignition Lead, see Diagram 24.

10.4 Remove the Eight Wire Loom from the Control Box.

10.5 Remove the Battery Extension Cable, see Diagram 24.

The Control Box can now be replaced.

When replacing the sealing plate on the rear of the control cover use a suitable silicone sealant.

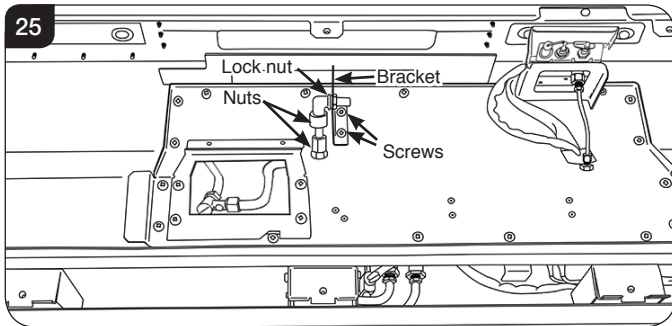


# Servicing Instructions - Replacing Parts

- 10.6 After replacing the control box you may need to reprogram the handset.
- Press and hold the reset button on the control box until you hear two signals. After the second longer signal:
  - Release the reset button and within 20 seconds:
  - Press the DOWN button on the handset until you hear 2 additional short signals confirming the new code is set. If there is a single long signal the code learning sequence has failed or the wiring is incorrect.

## 11. Main Injector

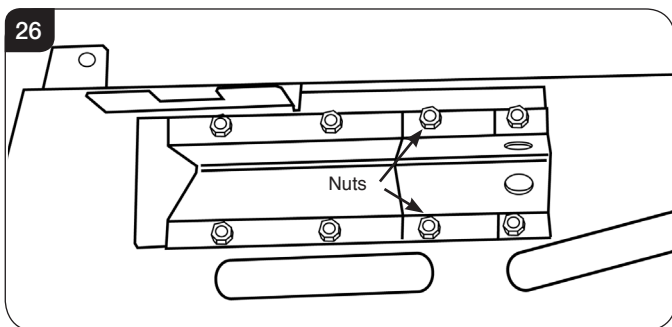
- 11.1 Remove the Main Burner, see Section 4.
- 11.2 Undo the 2 nuts and the lock nut, see Diagram 25.



- 11.3 Remove the 2 screws and the bracket.
- The Injector can now be replaced.
- 11.4 Reassemble in reverse order.

## 12. Primary Aeration Plate

- 12.1 Remove the Burner Unit, see Section 4.
- 12.2 Turn the Burn Unit over and place on a soft surface so as to not damage the unit.
- 12.3 Remove the 2 fixing nuts and slide the plate off the Venturi, see Diagram 26, the Aeration Plate can now be replaced.



## 13. Changing Between Gas Types

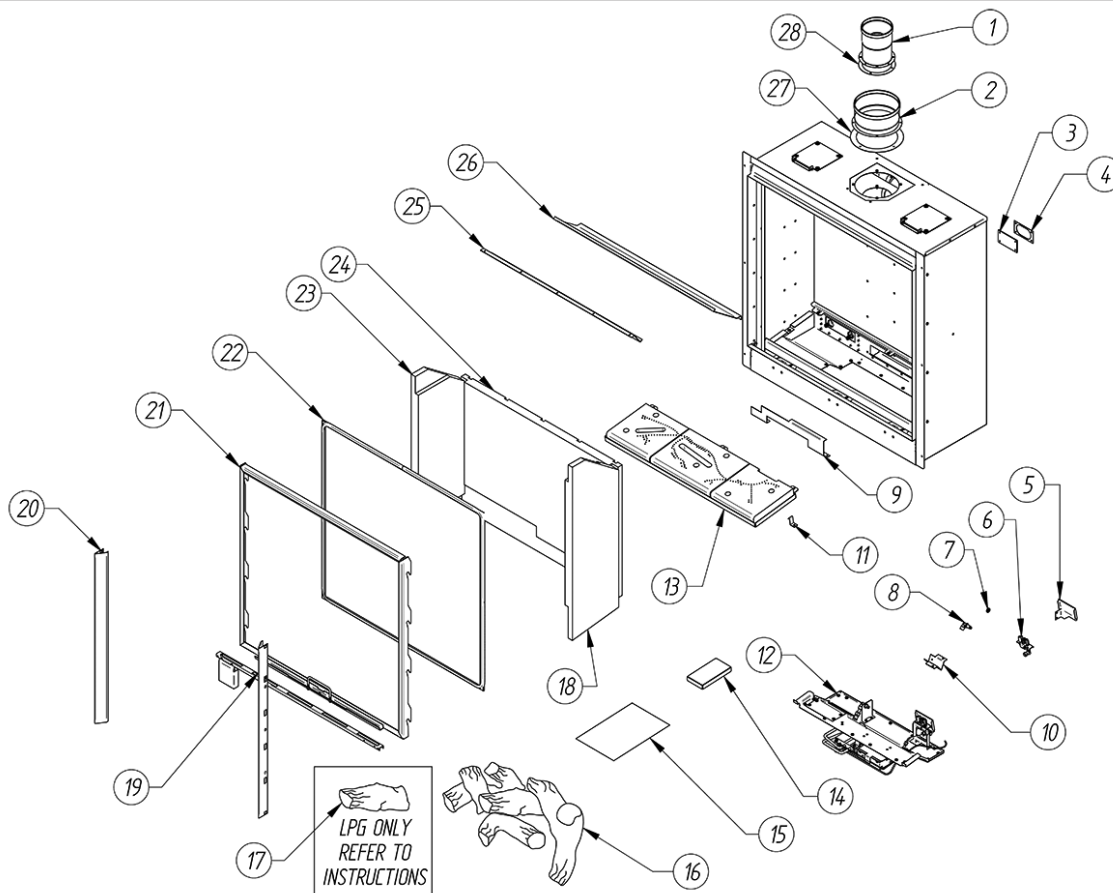
In order to change between gas types, it will be necessary to change the Burner Assembly, Pilot, Injector, Aeration Plate, and Air Guide.

Contact your Gazco retailer for further information.

A kit of parts is available for this. Always quote the Model number and Serial number when ordering any spare parts.

# Servicing Instructions - Replacing Parts

## 14. Spares List



No.	Component	Part Code		Quantity
		NG	LPG	
1	BF Inner Spigot	MEC0231		1
2	BF Outer Spigot	MEC0232		1
3	Inlet Silicone Seal	FA0354		1
4	Small BF Cassette - Inlet Plate	GZ3746		1
5	Pilot Shield	GZ13622		1
6	Pilot NG	PI0044	PI0045	1
7	Lock Nut	FA0241		1
8	Injector	IN0080 - Size 084	IN0058 - Size 150	1
9	Air Guide	GZ13067	GZ13868	1
10	Aeration Cover	GZ10407	GZ13623	1
11	Burner Clamp Bracket	GZ13064		1
12	Engine Tray Assembly	GZ13046N	GZ13046P	1
13	Burner Assembly	GZ11698		1
14	Embaglow (Stainless Steel Fibre)	GZ8471		1
15	Instructions - Fixing Kit	GZ13685		1
16	Log Set	CE1418		1
17	LPG Log Only - Refer to Page 30	-	CE1794	1
18	RH Side Lining - Black Reeded	CE1619		1
	RH Side Lining - Vermiculite	CE1616		1
	RH Side Lining - Brick Effect	CE1622		1

No.	Component	Part Code		Quantity
		NG	LPG	
18	RH Side Lining - Ledgestone	CE1688		1
	RH Side Lining - Glass	GZ13616		1
19	Base Infill Assembly	GZ13547		1
20	Side Frame Cover	GZ11670		2
21	Door Fabrication Assembly	GZ13539		1
22	Glass Assembly	GZ13551		1
23	LH Side Lining - Black Reeded	CE1620		1
	LH Side Lining - Vermiculite	CE1617		1
	LH Side Lining - Brick Effect	CE1623		1
	LH Side Lining - Ledgestone	CE1689		1
	LH Side Lining - Glass	GZ13617		1
24	Rear Lining - Black Reeded	CE1618		2
	Rear Lining - Vermiculite	CE1615		2
	Rear Lining - Brick Effect	CE1621		1
	Rear Lining - Ledgestone	CE1687		1
	Rear Lining - Glass	GZ13615		1
25	Front Top Baffle	GZ13047		1
26	Rear Baffle	GZ13048		1
27	Flue Gasket (Outer)	CE0211		1
28	Flue Gasket (Inner)	CE0210		1



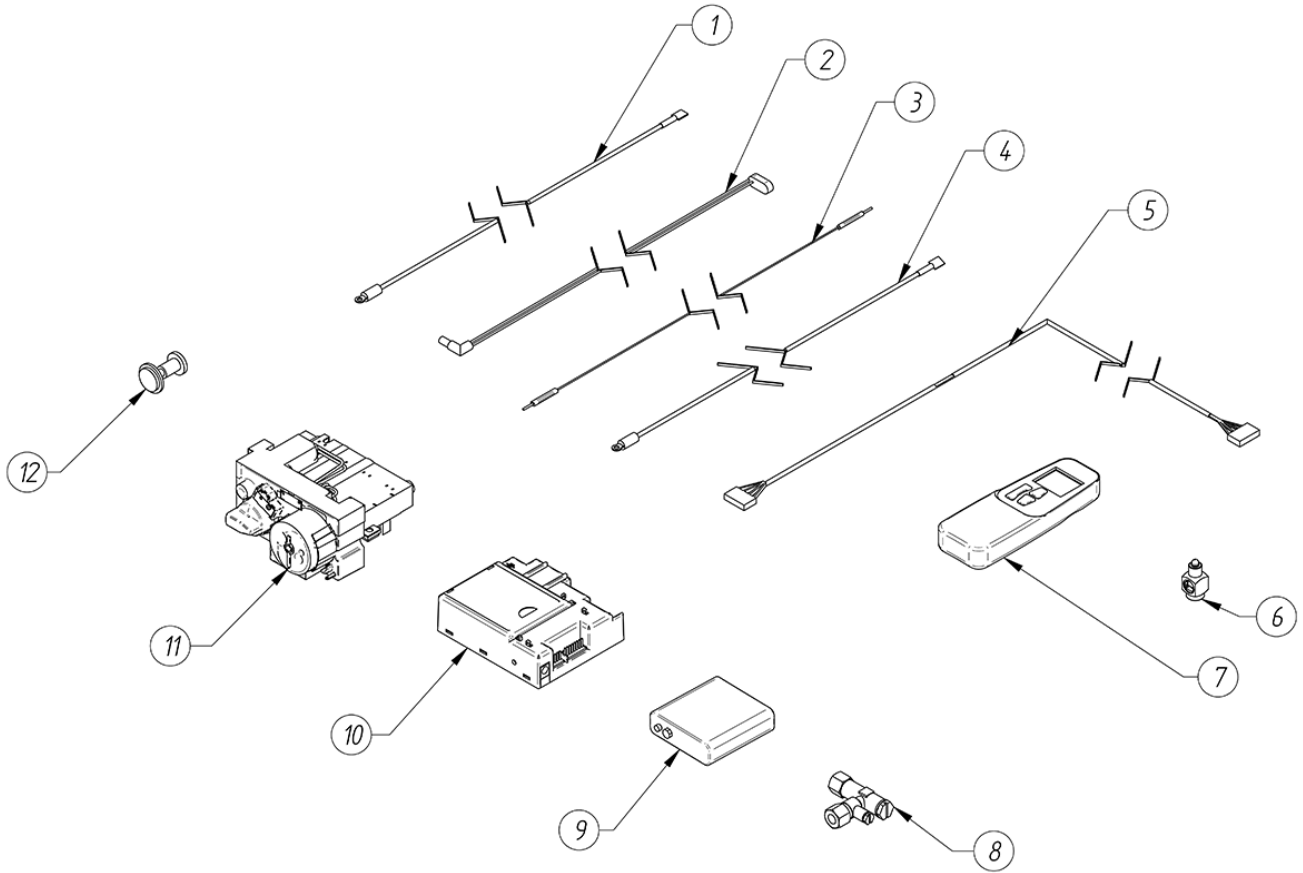
Due to continual technical improvements please check online or with your Gazco retailer for the most up to date parts lists.

Only use Genuine Gazco spares when servicing your appliance.

All of our essential spare parts and consumable items are available to purchase from our webshop at [www.gazcospares.com](http://www.gazcospares.com).

# Servicing Instructions - Replacing Parts

## 14. Spares List - Control Assembly



No.	Component	Part Code	Quantity
1	Thermo Current Cable	GC0126	1
2	Cable for Battery Box 3m	GC0138	1
3	GV60 Ignition Cable	GC0125	1
4	GV60 Thermo Current Cable	EL0590	1
5	GV60 350mm Long Connection Cable	GC0133	1
6	M9x1 Thermocouple Current Interrupter	GC0124	1
7	Remote Control	EL0571	1
8	Pressure Test Restrictor Elbow 0440	GC0095	1
9	Slimline Battery Pack	EL0616	1
10	GV60 Receiver 2010	EL0589	1
11	Gas Combination Control	GC0123K	1
12	Magnetic Unit	GC0166	1



Due to continual technical improvements please check online or with your Gazco retailer for the most up to date parts lists.

Only use Genuine Gazco spares when servicing your appliance.

All of our essential spare parts and consumable items are available to purchase from our webshop at [www.gazcospares.com](http://www.gazcospares.com).

# Service Records

## 1ST SERVICE

Date of Service:.....  
Next Service Due:.....  
Signed:.....  
Retailer's Stamp/GasSafe Registration Number

## 3RD SERVICE

Date of Service:.....  
Next Service Due:.....  
Signed:.....  
Retailer's Stamp/GasSafe Registration Number

## 5TH SERVICE

Date of Service:.....  
Next Service Due:.....  
Signed:.....  
Retailer's Stamp/GasSafe Registration Number

## 7TH SERVICE

Date of Service:.....  
Next Service Due:.....  
Signed:.....  
Retailer's Stamp/GasSafe Registration Number

## 9TH SERVICE

Date of Service:.....  
Next Service Due:.....  
Signed:.....  
Retailer's Stamp/GasSafe Registration Number

## 2ND SERVICE

Date of Service:.....  
Next Service Due:.....  
Signed:.....  
Retailer's Stamp/GasSafe Registration Number

## 4TH SERVICE

Date of Service:.....  
Next Service Due:.....  
Signed:.....  
Retailer's Stamp/GasSafe Registration Number

## 6TH SERVICE

Date of Service:.....  
Next Service Due:.....  
Signed:.....  
Retailer's Stamp/GasSafe Registration Number

## 8TH SERVICE

Date of Service:.....  
Next Service Due:.....  
Signed:.....  
Retailer's Stamp/GasSafe Registration Number

## 10TH SERVICE

Date of Service:.....  
Next Service Due:.....  
Signed:.....  
Retailer's Stamp/GasSafe Registration Number

# Information Requirement - Gas Heaters

## Information Requirement for Gaseous Fuel Local Space Heater

Model	Riva2 750HL BF NG	Riva2 750HL BF LPG
<b>Fuel</b>		
Space Heating Emissions (NOx) - mg / kWh <sub>input</sub> (GCV)	130	130
<b>Heat Output</b>		
Nominal Heat Output - P <sub>nom</sub>	6.5kW	6.5kW
Minimum Heat Output (indicative) - P <sub>min</sub>	3.4kW	3.4kW
<b>Auxiliary Electricity Consumption</b>		
At Nominal Heat Output - e <sub>lmax</sub>	N/A	N/A
At Minimum Heat Output - e <sub>lmin</sub>	N/A	N/A
In Standby Mode - e <sub>l<sub>sb</sub></sub>	N/A	N/A
<b>Useful Efficiency (NCV)</b>		
Useful Efficiency at nominal heat output - η <sub>th, nom</sub>	86.0%	86.0%
Useful Efficiency at minimum heat output (indicative) - η <sub>th, min</sub>	76.0%	76.0%
<b>Permanent Pilot Flame Power requirement</b>		
Permanent Pilot Flame Power requirement (if applicable) - P <sub>pilot</sub>	N/A	N/A
<b>Type of heat output/room temperature control</b>		
Electronic room temperature control + day timer	Yes	Yes
<b>Other control options (multiple selections possible)</b>		
Room temperature control, with presence detection	No	No
Room temperature control, with open window detection	No	No
With distance control option	No	No
With adaptive start control	No	No
With working time limitation	No	No
With black bulb sensor	No	No
<b>Energy Efficiency Index</b>	<b>82.0%</b>	<b>82.0%</b>
<b>Energy Efficiency Class</b>	<b>B</b>	<b>B</b>
<b>Contact:</b>	Gazco Ltd, Osprey Road, Sowton Industrial estate, Exeter, EX2 7JG	





**Gazco Limited, Osprey Road, Sowton Industrial Estate, Exeter, Devon, England EX2 7JG**  
**Technical Customer Services: (01392) 261950 Fax: (01392) 261951**  
**E-mail: [technicalservices@gazco.com](mailto:technicalservices@gazco.com)**

A member of the Stovax Group  
E & O E